

PALSTM

Supplier Of Choice

**2019 FEED ADDITIVES,
MEDICATION &
BIOSECURITY PRODUCTS**



*Your Supplier of Choice for all your
Animal Health Needs*



1-800-328-8842 • www.palsusa.com
3735 West 1st Ave • Willmar, MN 56201

AMAFERM[®]

BIOZYME[®] PRECISION BIOTIC



Promotes **INTAKE**

Increases feed
DIGESTIBILITY

Maximizes nutrient
ABSORPTION

For more information, contact:
Jordan Milliren, BioZyme[®] Area Sales Manager • (563) 419-7939

VitaCharge[®]

HYDRABOOST

A unique, nutrient rich liquid supplement for commercial swine and poultry that increases water and feed intake and maintains gut immunity, thereby increasing overall health and rapidly restoring digestive balance.



Keep cool and dry up.

Best results with MetAMINO®

Eliminate processing issues – and add new freedoms.

Not only do liquid methionine sources add extra mass, they are also hard to process at low temperatures. Dry MetAMINO® is reliable and stays easy to mix even in winter. To make the very most of MetAMINO®, you can take advantage of our analytical services for feed components. MetAMINO®: not just better – best results.

www.metamino.com



MOTOMCO

RODENT CONTROL
FOR FARM & RANCH



JAGUAR[®]

#1 SELLING RODENT BAIT FOR LIVESTOCK PRODUCERS



OUR MOST POWERFUL ANTICOAGULANT BAIT

- Top selling bait to poultry and swine producers
- Excellent for tough infestations and high rodent populations
- Use Jaguar for 4 months as part of a complete Motomco Rotational Program
- Available in 9# and 18# Bait Chunx, Place Pacs, Bulk Pellets and Soft Bait



MOTOMCO

THE WORLD LEADER IN RODENT CONTROL TECHNOLOGY[®]

3699 Kinsman Blvd., Madison, WI 53704 U.S.A. • (800) 418-9242

www.motomco.com

RODENT CONTROL

IS A CRITICAL COMPONENT

OF BIOSECURITY



1

Rats and mice accelerate the spread of at least 35 diseases that plague animal production

2

Left unchecked, rodent populations will expand rapidly, spreading disease to areas and animals

3

Rodents cause damage to facilities, energy loss and feed contamination



More than 75% of producers rely on Motomco's Rodent Control System as part of an integrated Biosecurity program



For more information, contact your Motomco distributor or visit www.motomco.com

MOTOMCO

THE WORLD LEADER IN RODENT CONTROL TECHNOLOGY®

3699 Kinsman Blvd., Madison, WI 53704 U.S.A. • (800) 418-9242

www.motomco.com



Optimize an animal's genetic potential with key amino acids from ADM.

ADM supplies the growing amino acid industry around the globe with high-quality, uniform feed-grade amino acids.

- Vertically Integrated
- High-quality, uniform granular product
- Strict quality control
- Dedicated sales and technical support
- Worldwide transportation network

www.ADMAnimalNutrition.com/aminos





HUVEPHARMA®

Huvepharma Water Solubles



RIGHT TOOLS
FOR THE
RIGHT TIMES



ANTIMICROBIAL

Chloronex®

Sulmet®

Lincomycin

Hydrochloride Soluble Powder

Neo-Sol® 50

Oxytet® Soluble

R-Pen®

Tylovet® Soluble

PROBIOTIC

OPTI-BAC® L WS



HUVEPHARMA®

525 Westpark Drive, Suite 230 | Peachtree City, Georgia 30269

770 486 7212

customerservice@huvepharma.us

TABLE OF CONTENTS

| | |
|--------------------------|----|
| FEED ADDITIVES..... | 1 |
| FEED MEDICATIONS..... | 8 |
| SALTS..... | 11 |
| WATER SOLUBLES..... | 12 |
| INJECTABLES..... | 20 |
| SANITATION..... | 25 |
| PERSONAL PROTECTION..... | 35 |
| INSECTICIDES..... | 39 |
| RODENTICIDES..... | 43 |
| BIRD REPELLANTS..... | 45 |
| LITTER TREATMENTS..... | 46 |
| CHEMILIZER..... | 47 |
| STENNER..... | 53 |
| DOSATRON..... | 57 |
| DIVERSIFIED..... | 67 |
| PARTS..... | 68 |
| LIVESTOCK MARKERS..... | 70 |

Please call or visit our website, www.palsusa.com,
if you have any questions about other
additives, medications, and parts.

This is just a portion of what we handle.

Thank you!

This Medication Catalog was produced
for you by the enclosed advertisers.



1-800-328-8842
Fax: (320) 235-8869

rx@palsusa.com

Fill your Scripts & VFDs here

AMAFERM



Part No Description

009005 AMAFERM 50LB BAG
(SPECIAL ORDER)

BIOSUPREME LIQUID



Part No Description

009131 BIOSUPREME LIQUID
2.5 GL JUG

AVAILA-ZN



Part No Description

009027 AVAILA-ZN 120 55.1LB BAG
(SPECIAL ORDER)

BIO-MOS



Part No Description

009420 BIO-MOS 55.1 LB BAG
009419 BIO-MOS 2000LB TOTE
(SPECIAL ORDER)

BARN LIME

Part No Description

009310 BARN LIME 50LB BAG

BIRTHRIGHT



Part No Description

009920 BIOLYS 25 Kg 55.1 LB BAG
009921 BIOLYS 1000 KG
2204 LB TOTE



Part No Description

009751 BIRTHRIGHT MILK
REPLACER 25LB BAG
009699 BIRTHRIGHT BRIDGE
CREEP FEED 25LB BAG
009752 BIRTHRIGHT NAP
25LB BAG (SP. ORDER)

FEED ADDITIVES

PHONE
800-328-8842

CHOLINE CHLORIDE LIQUID



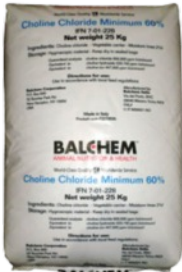
| Part No | Description |
|---------|--|
| 009888 | CHOLINE CHLORIDE LIQUID 70% 2500LB TOTE |

COPPER SULFATE



| Part No | Description |
|---------|--------------------------------|
| 009148 | COPPER SULFATE 2000LB TOTE |
| 009150 | COPPER SULFATE 50LB BAG |
| 009152 | COPPER SULFATE 2204 LB TOTE |

CHOLINE CHLORIDE



| Part No | Description |
|---------|---|
| 009890 | CHOLINE CHLORIDE BALCHEM 60% (53% CHOLINE) 55.1LB BAG |

DIAMOND V XPC



| Part No | Description |
|---------|---|
| 009421 | DIAMOND V XPC YEAST 50LB BAG |
| 009426 | DIAMOND V AO (ASPERGILLUS ORYZAE) 50 LB BAG (SPEC. ORDER) |

CITRIC ACID



| Part No | Description |
|---------|----------------------|
| 009246 | CITRIC ACID 50LB BAG |

DICAL



| Part No | Description |
|---------|----------------------|
| 009302 | DICAL 18.5% 50LB BAG |

EARLY BIRD



Part No Description

009305 QUICK START (EARLY BIRD SUPPLEMENT) 15 LB PAIL

ENDOX



Part No Description

009412 STOP-OX (ENDOX) 55.1 LB BAG

FSE MINERAL



Part No Description

009748 FSE TRACE MINERAL PLUS #125 50LB BAG (brown bag)

FSE VITAMIN



Part No Description

009760 FSE VITAMIN PMX #141 50 LB BAG

FSE ENZYME

Part No Description

009764 FSE ENZYME PACK 1852 55.1 LB BAG (special order)

GRIT



Part No Description

009209 GRIT #1 50 LB BAG 1/16"
009210 GRIT #2 50 LB BAG 3/16"
009211 GRIT #3 50 LB BAG 5/16"
009212 GRIT #4 50 LB BAG 3/8"

HEMICELL



Part No Description

009729 HEMICELL-HT 1.5x25 Kg 55.1 LB BAG

HORSE RELIEF



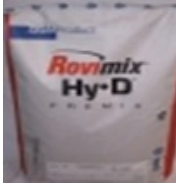
Part No Description

009703 RALCO HORSE RELIEF 50 LB BAG

FEED ADDITIVES

rx@palsusa.com
fill your Scripts & VFDs here

HY-D



| Part No | Description |
|---------|-------------|
|---------|-------------|

| | |
|--------|----------------------------|
| 009909 | HY-D 83.3 MG/LB 55.1LB BAG |
|--------|----------------------------|

INTEGRAL A+



| Part No | Description |
|---------|-------------|
|---------|-------------|

| | |
|--------|----------------------------------|
| 009701 | INTEGRAL A+ 25 kg 55.1 LB BAG |
|--------|----------------------------------|

INTEGRAFLO



| Part No | Description |
|---------|-------------|
|---------|-------------|

| | |
|--------|----------------------|
| 009704 | INTEGRAFLO 50 LB BAG |
|--------|----------------------|

INTEGRAMOS



| Part No | Description |
|---------|-------------|
|---------|-------------|

| | |
|--------|---|
| 009418 | INTEGRAMOS 55.1 LB BAG (SPECIAL ORDER) |
|--------|---|

LYSINE



| Part No | Description |
|---------|-------------|
|---------|-------------|

| | |
|--------|---------------------------------------|
| 009901 | LYSINE ADM 98.5% 25 KG 55.1 LB BAG |
|--------|---------------------------------------|

| | |
|--------|--|
| 009902 | LYSINE ADM 98.5% 1000 KG 2204 LB TOTE |
|--------|--|

| | |
|--------|---------------------------------|
| 009894 | LYSINE AJINOMOTO 55.12LB BAG |
|--------|---------------------------------|

| | |
|--------|---------------------------------|
| 009896 | LYSINE AJINOMOTO 2204LB TOTE |
|--------|---------------------------------|

MAGNESIUM OXIDE

| Part No | Description |
|---------|-------------|
|---------|-------------|

| | |
|--------|---------------------------------|
| 009017 | MAGNESIUM OXIDE 58% 50LB BAG |
|--------|---------------------------------|

METHIONINE



| Part No | Description |
|---------|-------------|
|---------|-------------|

| | |
|--------|--|
| 009801 | METHIONINE 99% EVONIK 25 Kg 55.1 LB BAG |
|--------|--|

| | |
|--------|---|
| 009802 | METHIONINE 99% EVONIK 1000 Kg 2204 LB TOTE |
|--------|---|

| | |
|--------|---|
| 009822 | DL-METHIONE 99% SUMITOMO TOTE 1000 KG 2204.6 LB (SPECIAL ORDER) |
|--------|---|

| | |
|--------|---|
| 009821 | DL-METHIONINE 99% SUMITOMO 25 KG 55.1 LB BAG |
|--------|---|

FEED ADDITIVES

MONOCAL



| Part No | Description |
|---------|-------------|
|---------|-------------|

- | | |
|--------|---|
| 009306 | MONOCAL (DICAL) (BioPhos) 21% 50 LB BAG |
| 009308 | MONOCAL (DICAL) (BioPhos) 21% 2000 LB TOTE |

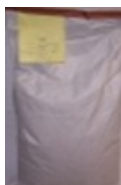
MAGNI-PHI



| Part No | Description |
|---------|-------------|
|---------|-------------|

- | | |
|--------|------------------------------|
| 009450 | PHIBRO MAGNI-PHI 50LB BAG |
|--------|------------------------------|

PHYTASE



| Part No | Description |
|---------|-------------|
|---------|-------------|

- | | |
|--------|--|
| 009610 | PHYTASE (RONOZYME / PHYZYME) 1200 50 LB BAG |
|--------|--|

FIGHT STRONG



| Part No | Description |
|---------|-------------|
|---------|-------------|

- | | |
|--------|--|
| 009636 | RALCO FIGHT STRONG FOR CATTLE PELLET 50LB BAG |
|--------|--|

REGANO

| Part No | Description |
|---------|-------------|
|---------|-------------|

- | | |
|--------|-------------------------|
| 009707 | REGANO EX \ 2x25 LB BOX |
|--------|-------------------------|

STAY STRONG



| Part No | Description |
|---------|-------------|
|---------|-------------|

- | | |
|--------|---|
| 009698 | RALCO STAY STRONG for DAIRY COWS 50 LB |
|--------|---|

PROSPER EO



| Part No | Description |
|---------|-------------|
|---------|-------------|

- | | |
|-------|---|
| 00662 | RALCO STRONG PROSPER (MICROFUSED) EO DRY 35LB BAG |
|-------|---|

FEED ADDITIVES

PHONE
800-328-8842

SALT MIXING



| Part No | Description |
|---------|-------------------------------------|
| 009202 | SALT MIXING-TOP FLOW BAGS 50 LB BAG |

SHELL & BONE



| Part No | Description |
|---------|---|
| 009298 | SHELL & BONE/CAGE CAL (LIMESTONE) 50 LB BAG |

SODIUM BENTONITE



| Part No | Description |
|---------|--------------------------------------|
| 009710 | VOLCLAY / SODIUM BENTONITE 50 LB BAG |

SODIUM BICARBONATE



| Part No | Description |
|---------|--|
| 009804 | SODIUM BICARBONATE ARM & HAMMER 2000 LB TOTE |
| 009799 | SODIUM BICARBONATE 50 LB BAG |

THREONINE



| Part No | Description |
|---------|--|
| 009850 | L-THREONINE AJINOMOTO 25 KG 55.1 LB BAG |
| 009851 | L-THREONINE AJINOMOTO 1000 KG 2204 LB TOTE |

rx@palsusa.com
fill your Scripts & VFDs here

THREONINE



| Part No | Description |
|---------|-------------|
|---------|-------------|

| | |
|--------|---|
| 009840 | L THREONINE ADM 25 Kg 55.1 LB BAG |
| 009852 | L THREONINE ADM 1000 Kg 2204 LB TOTE |

UNICAL M



| Part No | Description |
|---------|-------------|
|---------|-------------|

| | |
|--------|---|
| 009007 | UNICAL M PURECAL (LIMESTONE) 50 LB BAG |
|--------|---|

UNICAL P

| Part No | Description |
|---------|-------------|
|---------|-------------|

| | |
|--------|---|
| 009006 | UNICAL P PURECAL (LIMESTONE) 50 LB BAG |
|--------|---|

TRYPTOPHAN



| Part No | Description |
|---------|-------------|
|---------|-------------|

| | |
|--------|---------------------------------------|
| 009741 | TRYPTOPHAN CJ 22 LB BAG |
| 009008 | TRYPTOPHAN FUFENG 44 LB BAG |
| 009742 | TRYPTOPHAN AJINOMOTO 22.045 LB BAG |
| 009739 | TRYPTOPHAN GRANULAR 44.09LB BAG |

VITAMIN A

| Part No | Description |
|---------|-------------|
|---------|-------------|

| | |
|--------|--|
| 009860 | VITAMIN A 650 55.12LB BAG (SPECIAL ORDER) |
|--------|--|

VITAMIN E



| Part No | Description |
|---------|-------------|
|---------|-------------|

| | |
|--------|---|
| 009855 | VITAMIN E 20,000 UNIT / LB 50 LB BAG |
|--------|---|

FEED MEDICATION

rx@palsusa.com
fill your Scripts & VFDs here

AMPROLIUM



| Part No | Description |
|---------|-------------|
|---------|-------------|

| | |
|--------|---|
| 005521 | AMPROLIUM (POULTRY) 2.5% TYPE B 50 LB BAG (SPECIAL ORDER) |
|--------|---|

AUREOMYCIN



| Part No | Description |
|---------|-------------|
|---------|-------------|

| | |
|--------|--|
| 005589 | VFD AUREOMYCIN 100 (CTC) GRANULAR 50 LB BAG |
| 005001 | VFD AUREOMYCIN 50 GRANULAR (CTC) 50 LB BAG |

AVATEC



| Part No | Description |
|---------|-------------|
|---------|-------------|

| | |
|--------|------------------|
| 005795 | AVATEC 50 LB BAG |
|--------|------------------|

BACITRACIN 50



| Part No | Description |
|---------|-------------|
|---------|-------------|

| | |
|--------|--------------------------------|
| 005567 | BACITRACIN BMD 50 50 LB BAG |
|--------|--------------------------------|

BANMINTH

| Part No | Description |
|---------|-------------|
|---------|-------------|

| | |
|--------|--|
| 005603 | BANMINTH 4.8 DEWORMER TYPE B 40 LB BAG (SPECIAL ORDER) |
|--------|--|

BEEF COX



| Part No | Description |
|---------|-------------|
|---------|-------------|

| | |
|--------|--|
| 005050 | BEEF COX/ COCCI CURB 10X DECCOX .5% TYPE B 50 LB (special order) |
|--------|--|



800-328-8842

FEED MEDICATION

COBAN



| Part No | Description |
|---------|-----------------------|
| 005806 | COBAN 90 BAGS 55.1 LB |

DECCOX



| Part No | Description |
|---------|------------------|
| 005013 | DECCOX 50 LB BAG |

DENAGARD



| Part No | Description |
|---------|-----------------------------|
| 005820 | DENAGARD 10 GM 35 LB BAG |

ENGAIN

| Part No | Description |
|---------|---|
| 005747 | ENGAIN 2.25 50LB BAG (SPECIAL ORDER) |

FLAVOMYCIN



| Part No | Description |
|---------|--------------------------------|
| 005360 | FLAVOMYCIN 4 GRAM 50 LB BAG |

LINCOMIX



| Part No | Description |
|---------|---------------------------------|
| 005920 | VFD LINCOMIX 20 GM 50 LB BAG |

MGA 200



| Part No | Description |
|---------|-----------------------------|
| 005017 | MGA 200 PREMIX 50 LB BAG |

FEED MEDICATION

rx@palsusa.com
fill your Scripts & VFDs here

NEO-OTC



| Part No | Description |
|---------|--|
| 005781 | VFD PENN NEO-OTC 10-10 TYPE B 50 LB BAG |

PENNCHLOR



| Part No | Description |
|---------|---|
| 005583 | VFD PENNCHLOR G (CTC) 100 GRANULAR (Dark Green) 50 LB BAG |
| 005586 | VFD PENNCHLOR (CTC) 50 MEAL (Dark Green 50LB) |
| 005588 | VFD PENNCHLOR 50 (CTC) GRANULAR (Lime Green) 50 LB BAG |
| 005592 | VFD PENNCHLOR S 10/10 (DARK PINK 50LB BAG) |
| 005587 | VFD PENNCHLOR (CTC) 100 HI-FLO MEAL 50LB BAG |

PAYLEAN



| Part No | Description |
|---------|-------------------------------------|
| 005751 | PAYLEAN 2.25 50LB BAG |
| 005750 | PAYLEAN 9 (RACTOPAMINE) 25LB BAG |

PENNOX



| Part No | Description |
|---------|--|
| 005595 | VFD PENNOX (OTC) 50 (REDDISH ORANGE 50 LB BAG) |

PULMOTIL



| Part No | Description |
|---------|---|
| 005742 | VFD PULMOTIL 18.1 VFD TYPE B 50 LB BAG |

FEED MEDICATION

RUMENSIN 90



| Part No | Description |
|---------|---|
| 005008 | RUMENSIN 90 55.1LB BAG (special order) |

SAFEGUARD



| Part No | Description |
|---------|---|
| 005132 | SAFEGUARD (FENBENDAZOLE) 1.96% TYPE B BAG 50 LB |

TYLAN



| Part No | Description |
|---------|------------------------------|
| 005030 | VFD TYLAN 40 50LB BAG |
| 005031 | VFD TYLAN 10 TYPE B 50LB BAG |

ZOAMIX



| Part No | Description |
|---------|-----------------|
| 005003 | ZOAMIX 50LB BAG |

SALT



| Part No | Description |
|---------|---|
| 060050 | SALT QUIK MELT CALCIUM CHLORIDE 50LB |



| Part No | Description |
|---------|--------------------------------------|
| 060072 | SALT SOLAR SOFTENER SALT 40LB BAG |

WATER SOLUBLE

PHONE
800-328-8842

ACID-MAXX



| Part No | Description |
|---------|--|
| 020262 | ACID-MAXX 4 WAY 2X \ 50x227 gram/CASE |

ACID-PAC



| Part No | Description |
|---------|--|
| 020259 | ACID-PAK 4-WAY LIQUID\ 4x1 gal 3(special order) |

ACIDIFIED COPPER



| Part No | Description |
|---------|-----------------------------------|
| 020140 | ACIDIFIED COPPER PKG \ 40x1 LB |

AMMONIA



| Part No | Description |
|---------|----------------------|
| 020007 | AMMONIA 3% \ 8x64 OZ |

AMPROL



| Part No | Description |
|---------|--|
| 020031 | AMPROL (CORID) SOL POWDER 128 \ 24x10 OZ (SPECIAL ORDER) |

AMPROLIUM



| Part No | Description |
|---------|------------------------------------|
| 020028 | AMPROL 9.6% (White box) 4x1 GAL |

AVI-BAC



| Part No | Description |
|---------|-----------------------------|
| 020466 | AVI-BAC PLUS\10x250 GRAM |

AVI-LYTE



| Part No | Description |
|---------|------------------------------|
| 020462 | AVI-LYTE FOR POULTRY \ 50 |

WATER SOLUBLE

ASPIRIN



| Part No | Description |
|---------|-------------|
|---------|-------------|

| | |
|--------|---|
| 020098 | ASPIRIN (UNI-SOL) \ 4x1 GALLON |
| 020100 | ASPIRIN (UNI-SOL) 460 GM \ 12x1 LITER |
| 020102 | OralPro Sodium Salicylate (ASPIRIN) 60% w/ Caf 4x1 Gallon |
| 020112 | ASPIRIN LIQUID (ANAPRIN LQ-PM) \ 12x32 oz |
| 020159 | ASPIRIN LIQUID (ASPRISOL) \ 12x1 QUART |

BALANCE

| Part No | Description |
|---------|-------------|
|---------|-------------|

| | |
|--------|---|
| 020179 | BALANCE ELECTROLYTE BULK 40# PAIL (SPECIAL ORDER) |
|--------|---|

CITRIC ACID



| Part No | Description |
|---------|-------------|
|---------|-------------|

| | |
|--------|---|
| 020238 | CITRIC ACID-410 GM (INI/AS) \ 30x14.5 OZ |
|--------|---|

COCCI-AID



| Part No | Description |
|---------|-------------|
|---------|-------------|

| | |
|--------|--------------------------|
| 020026 | COCCI-AID \ 4 X 1 GAL |
|--------|--------------------------|

CORID



| Part No | Description |
|---------|-------------|
|---------|-------------|

| | |
|--------|-------------------|
| 020025 | CORID 9.6% 4X1GAL |
|--------|-------------------|

ELECTROLYTE



| Part No | Description |
|---------|-------------|
|---------|-------------|

| | |
|--------|---|
| 020176 | ELECTRO-PAK w/ Stabil C \ 40x1 LB |
| 020177 | ELECTROLYTE PAK \ 35x1 LB\ 48 CS/PALLET |
| 020181 | ELECTRO VIT AQS (ELECTROLYTE PLUS) / 50x12.5 OZ |

EMA-SOL



| Part No | Description |
|---------|-------------|
|---------|-------------|

| | |
|--------|---|
| 020931 | MCA-SOL (EMA-SOL) \ 4x1 GAL\ 48 CASES/PALLET |
|--------|---|

WATER SOLUBLE

rx@palsusa.com
fill your Scripts & VFDs here

EQUISUL



| Part No | Description |
|---------|---|
| 020003 | Rx EQUISUL-SDT Aurora Pharmaceutical 900ml |

FLORAMAX



| Part No | Description |
|---------|---|
| 020400 | FLORAMAX B11(20,000 DS) \BOTTLE 140 gram |

FLORASTART



| Part No | Description |
|---------|-----------------------|
| 020407 | FLORASTART C 10,000DS |

IODINE

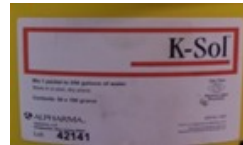
| Part No | Description |
|---------|--|
| 020174 | ORGANIC IODINE (EDDI) 40GR 1LB PACK 25 PACK/ CASE |

HY-D



| Part No | Description |
|---------|-------------------------------|
| 020152 | HY-D SOLUTION \ 12x1 QUART |

K SOURCE



| Part No | Description |
|---------|---------------------------------|
| 020875 | K SOURCE \ 65x188 GM (K-SOL) |

LC ENERGY

| Part No | Description |
|---------|-----------------------------------|
| 020871 | LC ENERGY 5 LITER JUG \ 4/CASE |

LINCOMYCIN



| Part No | Description |
|---------|--|
| 020155 | Rx SPEC LINX-LS 50 75 gm \ 12x2.55 OZ |
| 020154 | Rx LINCOMYCIN SOLUBLE 80GM \ 25x80GM |

PHONE
800-328-8842

WATER SOLUBLE

LINXMED



| Part No | Description |
|---------|------------------------------------|
| 020148 | Rx LINXMED SOLUBLE POWDER 80 GM |

MANAGE



| Part No | Description |
|---------|------------------------|
| 020933 | MANAGE 1 GALLON 4/CASE |
| 020934 | MANAGE 5 GAL \ DRUM |
| 020935 | MANAGE 55 GAL \ DRUM |

MIN-E-PLEX



| Part No | Description |
|---------|---------------------|
| 020920 | MIN-E-PLEX \4x1 GAL |

MUCUSOL



| Part No | Description |
|---------|--|
| 020927 | MUCUSOL 1 GALLON 4/CASE |
| 020932 | MUCUSOL 1 LITER BOTTLE 12/CASE (SPECIAL ORDER) |

NEOMIX

| Part No | Description |
|---------|---|
| 020256 | Rx NEOMIX / BIOSOL LIQUID 66GM \ 12x1 PINT |

NEOMED



| Part No | Description |
|---------|----------------------------------|
| 020254 | Rx NEOMED 325 50G \ 50x100 GM |

OMEGAMUNE



| Part No | Description |
|---------|--|
| 020510 | OMEGAMUNE PLUA 1 GAL 4/CASE (SPECIAL ORDER) |

WATER SOLUBLE



OPTIMIZER



| Part No | Description |
|---------|------------------------|
| 020405 | OPTIMIZER II \ 4x1 GAL |

PENNCHELOR



| Part No | Description |
|---------|--|
| 020017 | Rx PENNCHELOR 64 (CTC) 102 GRAM\24x25.6OZ |

OXYTET



| Part No | Description |
|---------|------------------------------------|
| 020033 | Rx OXYTET 102.4 \ 50x280GM |
| 020036 | Rx OXYTET 512 gram \ 10x1400 GM |

PENICILLIN



| Part No | Description |
|---------|---|
| 020290 | Rx BOX .5 BILLION BIMEDA PENICILLIN 12/BOX |
| 020292 | Rx BUCKET .5 BILLION PENICILLIN 25/PAIL |
| 020293 | Rx 1 BILLION PENICILLIN BUCKET 12/PAIL |

PALS VITAMIN



| Part No | Description |
|---------|-----------------------------------|
| 020322 | PALS VITAMIN PACKS + \ 40x8 OZ |

PENNOX 343



PARAGON

| Part No | Description |
|---------|--|
| 020915 | PARAGON VIT AD3 & E 1 QUART (SPECIAL ORDER) |

| Part No | Description |
|---------|---|
| 020042 | Rx PENNOX 343 (OXYTET) 512G \ 24x23.9OZ/20 BOXES |

PHONE
800-328-8842

WATER SOLUBLE

POULT-VIT



| Part No | Description |
|---------|---|
| 020853 | POULT-VIT \100x4 OZ (POULT PAK) VITAMINES AND ELECTROLYTE |

POULTRY WATER TREATMENT



| Part No | Description |
|---------|--|
| 020414 | AQUAPHIER (PWT) \ 40x1 LB |
| 020415 | POULTRY WATER TREATMENT BULK (PWT) \ DRUM 40 LBS |

POWER SWEET



| Part No | Description |
|---------|-----------------------------------|
| 020350 | POWER SWEET SOLUBLE 50x1lb pkg |

PROHIBIT



| Part No | Description |
|---------|---------------------------------------|
| 020436 | LEVASOLE (PROHIBIT) PROSPER LIQUID |



| Part No | Description |
|---------|--|
| 020480 | PROSPER (MICROFUSED) EO LIQUID 1 GALLON |

REGANO



| Part No | Description |
|---------|----------------------------------|
| 020473 | REGANO LIQUID EX \ 4x1 GALLON |

REGANO



| Part No | Description |
|---------|-------------------------------------|
| 020472 | REGANO LIQUID 4X \ 4x1 QT BOTTLE |

WATER SOLUBLE



SAFEGUARD



| Part No | Description |
|---------|---|
| 020526 | SAFEGUARD AQUASOL GALLON (fenbendazole) |

TETROXY



| Part No | Description |
|---------|----------------------------|
| 020046 | Rx TETROXY 512 \ 10x1400GM |

SMZ-MED 454



| Part No | Description |
|---------|---|
| 020175 | Rx SMZ-MED 454 20x16 OZ PACKETS (SPECIAL ORDER) |

UDDERSOL



| Part No | Description |
|---------|--------------------------------------|
| 020161 | UDDERSOL OMRI 8X32OZ (SPECIAL ORDER) |

SULFOROL



| Part No | Description |
|---------|--|
| 02005 | Rx SULFADIMETHOXINE (SULFOROL) \ 4x1 GAL (ALBON) |

VALBAZEN



| Part No | Description |
|---------|---|
| 020457 | Rx VALBAZEN (albendazole) 11.36% 5 LITTER btl |
| 020452 | Rx VALBAZEN (albendazole) 11.36% \ 4x1 LITTER BTL |

WATER SOLUBLE

VINEGAR DRY CIDER



| Part No | Description |
|---------|-------------|
|---------|-------------|

| | |
|--------|--|
| 020261 | VINEGAR DRY CIDER \50x8OZ PKG (VIN-A-MAX) |
|--------|--|

VITEC



| Part No | Description |
|---------|-------------|
|---------|-------------|

| | |
|--------|------------------------|
| 020464 | VITEC POULTRY \4x1 GAL |
|--------|------------------------|

VITAMIN C



| Part No | Description |
|---------|-------------|
|---------|-------------|

| | |
|--------|--|
| 020866 | VITAMIN C STABILIZED (case only) \ 50x219GM |
|--------|--|

ZINPRO



| Part No | Description |
|---------|-------------|
|---------|-------------|

| | |
|--------|--|
| 020302 | ZINPRO 180 (zinc methionine complex) \ 50X6.67oz pkg |
|--------|--|

VITAMIN E



| Part No | Description |
|---------|-------------|
|---------|-------------|

| | |
|--------|---------------------|
| 020151 | VITAMIN E \ 12x32OZ |
|--------|---------------------|



800-328-8842

INJECTABLES



AE



| Part No | Description |
|---------|-------------|
|---------|-------------|

| | |
|--------|---------------------------------|
| 013032 | POXINE AE-(PFIZER) 10x1000DS |
|--------|---------------------------------|

| | |
|--------|-------------------------------|
| 013033 | CEVA AE-POXINE \ 10X1000DS |
|--------|-------------------------------|

AE



| Part No | Description |
|---------|-------------|
|---------|-------------|

| | |
|--------|---|
| 013094 | AE (MERIAL) TRMOR BLEND \ 25x1000DS |
|--------|---|

ART VAX



| Part No | Description |
|---------|-------------|
|---------|-------------|

| | |
|--------|------------------------|
| 013250 | ART VAX \ 10x1000DS |
|--------|------------------------|

AVI-LUTION

| Part No | Description |
|---------|-------------|
|---------|-------------|

| | |
|--------|---------------------------------|
| 013779 | AVI-LUTION 1 LB SLEEVE \ PKG |
|--------|---------------------------------|

BLUE DYE

| Part No | Description |
|---------|-------------|
|---------|-------------|

| | |
|--------|--|
| 013775 | BLUE DYE \ 10x30ml (special order) |
|--------|--|

CHOLERA



| Part No | Description |
|---------|-------------|
|---------|-------------|

| | |
|--------|---|
| 013203 | AVIPRO 108 FC4 CHOLERA 1 3 4 X 4 (.5CC) \ 10x1000 (sp-ordr) |
|--------|---|

| | |
|--------|---|
| 013265 | CHOLERA M-NINEVAX-C (Multimune M) \ 10x1000DS |
|--------|---|

DURAMYCIN (Vetrimycin)



| Part No | Description |
|---------|-------------|
|---------|-------------|

| | |
|--------|---|
| 013553 | Rx VETRIMYCIN 200 (LA 200) \ 12x500CC |
|--------|---|

PHONE
800-328-8842

INJECTABLES

ERYBAC



| Part No | Description |
|---------|-------------|
|---------|-------------|

| | |
|--------|---------------------------------------|
| 013016 | ERYBAC FD \ 1000DS (special order) |
|--------|---------------------------------------|

FIRST PULSE



| Part No | Description |
|---------|-------------|
|---------|-------------|

| | |
|--------|-------------------------------|
| 013781 | FIRST PULS D 250ml \ 12x250ML |
| 013788 | FIRST PULSE DRENCH GUN |

ERYSIPELAS



| Part No | Description |
|---------|-------------|
|---------|-------------|

| | |
|--------|---|
| 013151 | E R BAC PLUS (ERYSIPELAS) BACTERIN 1000Ds \ 12X500ML |
|--------|---|

GARASOL



| Part No | Description |
|---------|-------------|
|---------|-------------|

| | |
|--------|--|
| 013144 | Rx GARASOL (Gentamycin sulfate) 100 MG /ML \12x100ML |
|--------|--|

ESP

| Part No | Description |
|---------|-------------|
|---------|-------------|

| | |
|--------|--|
| 013423 | ESP AQUEOUS 1000DS (no color) \ 500CC BTL |
| 013425 | ESP OIL 1000DS (red) 500CC BTL |

HE



| Part No | Description |
|---------|-------------|
|---------|-------------|

| | |
|---------|-----------------------|
| 013605 | HE ORALVAX \ 5x2000DS |
| 013606 | HE ORALVAX \5X5000DS |
| 0013626 | HE ARKO \5000DS |

INJECTABLES



HYGEIA VACCINE

| Part No | Description |
|---------|---|
| 013062 | HYGEIA AI VACCINE 2000 DS BTL AI ONLY (H1/H3) |
| 013059 | HYGEIA AI-REO VACCINE 1000 DS BTL AI (2)/REO(3)/PMV3 |
| 013070 | HYGEIA HE VACCINE 1000 DS BTL |
| 013071 | HYGEIS HE VACCINE 5000 DS BTL |

IRON DEXTRAN



| Part No | Description |
|---------|--------------------------------|
| 013375 | IRON DEXTRAN 100 \ 12x100CC |

MEGA PRO



| Part No | Description |
|---------|-------------------------------|
| 013148 | MEGA PRO D 250ml \ 6X250ml |

NEWCASTLE B1 B1



| Part No | Description |
|---------|---|
| 013505 | NEWCASTLE B1 B1 (MERIAL) \ 25x5000DS |

NEWCASTLE B1 LASOTA



| Part No | Description |
|---------|---|
| 013035 | NEWCASTLE B1 LASOTA (Pfizer) \ 10x5000DS |

NUFLOR



| Part No | Description |
|---------|--|
| 013130 | Rx NORFENICOL (NUFLOR) INJECTION 250ML BOTTLE |

PMV3



| Part No | Description |
|---------|---------------------------------|
| 013496 | PMV3 / NDV (.25) \ 20x1000DS |

INJECTABLES

POULVAC



| Part No | Description |
|---------|-------------------------------------|
| 013045 | POULVAC ECOLI \ 10x5000DS |
| 013048 | POULVAC (SALMONELLA) 5000DS 10PK |

SNICK GUARD



| Part No | Description |
|---------|--|
| 013266 | SNICK GUARD (BORDETELLA AVIUM) 2000 DS (SPECIAL ORDER) |

START STRONG



| Part No | Description |
|---------|--|
| 013785 | START STRONG FOR CALVES 250ML (SPECIAL ORDER) |
| 013130 | START STRONG FOR CALVES 60ML (SPECIAL ORDER) |

TYLAN



| Part No | Description |
|---------|---|
| 013457 | Rx TYLAN 200 INJ 500 \ 12x500CC (special order) |

VACCINE STABILIZER



| Part No | Description |
|---------|---|
| 013006 | VAC-PAC \ 75x4 OZ PKG |
| 013008 | VAC-PAC PLUS DYE \ 75x4oz PKG |
| 013573 | STABIL VAC NO DYE \ 25x1 LB /48 / PALLET |
| 013010 | VAC-PRO-TEC W/ DYE (INI) \ 35x1 LB/ |


 Like us on
Facebook
<https://www.facebook.com/palssupplierofchoice>

INJECTABLES

PHONE
800-328-8842

NEEDLE



| Part No | Description |
|---------|---|
| 635328 | NEEDLE 14GA x3 /4SS |
| 635715 | NEEDLE 16 x 1 DISPOSABLE |
| 635600 | NEEDLE 16 x 3/4 DISPOSABLE / BOX OF 100 |
| 635604 | NEEDLE 16GA x 1/2SS |
| 635599 | NEEDLE 18 x 1/2" DISPOSABLE |
| 635615 | NEEDLE 18GA x 1" SS |
| 635544 | NEEDLE 18 x 1/4 PH/100CT |
| 635616 | NEEDLE GA x 2 FEEDING NEEDLE CU (sold by each) |
| 635612 | NEEDLE 18GA x 3/4SS |
| 635632 | NEEDLE 20GA x 3/4SS |
| 635553 | NEEDLE FOR WING POX SYRINGE 2CC |

OVIJECTOR



| Part No | Description |
|---------|--------------------------------|
| 635542 | OVIJECTOR MARK 2 |
| 635541 | OVIJECTOR REPAIR KIT MARK 2 |
| 635552 | OVIJECTOR REPAIR KIT MARK 3 |

WING WEB SYRINGE

| Part No | Description |
|---------|--|
| 635919 | SYRINGE WING WEB APPLICATORS ELANCO 2 NEEDLE |

SYRINGE



| Part No | Description |
|---------|---|
| 635920 | SYRINGE AVIPRO DOUBLE BARREL |
| 635922 | SYRINGE AVIPRO DOUBLE BARREL PARTS KIT |
| 635984 | SYRINGE JECTA-MATIC 2.0ML (12/PACKAGE) |
| 635983 | SYRINGE JECTA-MATIC 2.0ML CYLINDER ONLY |
| 635985 | SYRINGE JECTA-MATIC 5.0ML (12/PKG) |
| 635951 | SYRINGE PAK VENTED SPIKE (MERIAL) W/635950 |
| 635925 | SYRINGE TERUMO 10 CC LUER SLIP TIP \ 100 BOX |
| 635926 | SYRINGE TERUMO 20 CC LUER SLIP TIP \ 50/BOX |
| 635530 | SYRINGE-DISPOSABLE 12CC 80/BOX |
| 635531 | SYRINGE-DISPOSABLE 20CC / BOX OF 50 |
| 635520 | SYRINGE-DISPOSABLE 3CC |
| 635528 | SYRINGE DISPOSABLE 6CC 50/BOX |

POX VACCINE SYRINGE



| Part No | Description |
|---------|--------------------------------------|
| 635547 | AGRI PRO 2CC WING WEB POX SYRINGE |

SANITATION

ACCEL CONCENTRATE



| Part No | Description |
|---------|---|
| 080924 | INTERVENTION CONCENTRATE (ACCEL) 1 GAL |

AMASIL



| Part No | Description |
|---------|--|
| 080170 | AMASIL NA(FORMIC ACID) 240 KG 50 GAL DRUM |
| 080171 | AMASIL NA (FORMIC ACID) 1200 KG TOTE |

ANTHIUM DIOXIDE



| Part No | Description |
|---------|-------------------------------|
| 080955 | ANTHIUM DIOXIDE DRUM 5 GAL |

ANTHIUM DIOXIDE TEST STRIPS



| Part No | Description |
|---------|---|
| 080011 | ANTHIUM DIOXIDE TEST STRIPS \ 50/JAR |

AQUAPRIME NEOKLOR



| Part No | Description |
|---------|----------------------------|
| 080137 | AQUAPRIME NEOKLOR 5 GAL |

AQUAPRIME TRIGGER



| Part No | Description |
|---------|----------------------------|
| 080136 | AQUAPRIME TRIGGER 5 GAL |

ASPEN FOOT PATROL



| Part No | Description |
|---------|---|
| 080103 | ASPEN FOOT PATROL 100 LB (SPECIAL ORDER) |

BIOCREST



| Part No | Description |
|---------|---|
| 080092 | BIOCREST 50 (Clean Crest) \ 4x1 GALLON (SPECIAL ORDER) |

SANITATION

rx@palsusa.com
fill your Scripts & VFDs here

BIO-GEL FOAMING CLEANER



| Part No | Description |
|---------|---|
| 080325 | BIO GEL FOAMING CLEANER \25 LITER DRUM (6.6 Gal) |
| 080326 | BIO GEL FOAMING CLEANER 55 GAL DRUM (SPECIAL ORDER) |

BIO-QUAT



| Part No | Description |
|---------|---------------------------------|
| 080005 | BIO-QUAT (PI QUAT) 20 \ 4x1 GAL |

AQUA MAX



| Part No | Description |
|---------|---------------------------------|
| 080008 | COOL-N-KLEAN (AQUA MAX) 4x1 GAL |

BIO-PHENE



| Part No | Description |
|---------|-------------------|
| 080860 | BIO-PHENE 4x1 GAL |

BIOSOLVE PLUS



| Part No | Description |
|---------|----------------------------|
| 080052 | BIOSOLVE PLUS \ 4x1 GALLON |

BLEACH - CLOROX



| Part No | Description |
|---------|------------------------------|
| 080118 | BLEACH-CLOROX 8.25% \ 8x64oz |

SANITATION

BLEACH 12.5%



| Part No | Description |
|---------|-------------|
|---------|-------------|

| | |
|--------|--|
| 080108 | BLEACH 12.5% 5 GAL |
| 080110 | BLEACH 12.5% \ DRUM 15 GAL (with 080111) |
| 080115 | BLEACH 12.5% \ DRUM 55 GAL (FOR AG USE ONLY) |

BLUE KOTE



| Part No | Description |
|---------|-------------|
|---------|-------------|

| | |
|--------|------------------------|
| 080351 | BLUE KOTE 50OZ AEROSOL |
|--------|------------------------|

CAUSTIC SODA



| Part No | Description |
|---------|-------------|
|---------|-------------|

| | |
|--------|--|
| 080902 | CAUSTIC SODA 30% \ DRUM 15 GAL SODIUMHYDROXIDE |
|--------|--|

CHLORINE PELLETS



| Part No | Description |
|---------|-------------|
|---------|-------------|

| | |
|--------|----------------------------|
| 080106 | CHLORINE PELLETS TWIN PACK |
|--------|----------------------------|

CHERRY BOMB



| Part No | Description |
|---------|-------------|
|---------|-------------|

| | |
|--------|--|
| 080800 | ZEP CHERRY BOMB HEAVY DUTY CLEANER 1 GAL |
|--------|--|

CID 2000



| Part No | Description |
|---------|-------------|
|---------|-------------|

| | |
|--------|------------------------------------|
| 080330 | CID 2000 \ 10 LITER (2.6 Gal) DRUM |
|--------|------------------------------------|

CLINAFARM SG



| Part No | Description |
|---------|-------------|
|---------|-------------|

| | |
|--------|---|
| 080605 | CLINAFARM SG (1250 SQ FT/ EACH) 24X33.4 GRAM CANISTER (SPECIAL ORDER) |
|--------|---|

SANITATION

PHONE
800-328-8842

CLOROX WIPES



| Part No | Description |
|---------|------------------------------------|
| 562043 | CLOREX WIPES 105 PER PAIL \ 4/CASE |

CLOROX CLEAN-UP



| Part No | Description |
|---------|-----------------------|
| 562269 | CLOROX CLEAN UP 32 oz |

DISH SOAP



| Part No | Description |
|---------|-------------------------|
| 562850 | DISH SOAP ANTIBACTERIAL |

DRUM WRENCH



| Part No | Description |
|---------|----------------------|
| 562004 | DRUM WRENCH 11" LONG |

DRUM PUMP



| Part No | Description |
|---------|----------------------|
| 080205 | PUMP FOR 55 GAL DRUM |

DC & R DISINFECTANT



| Part No | Description |
|---------|--|
| 080090 | DC & R DISINFECTANT \ 4x1 GAL |
| 080091 | DC & R DISINFECTANT \ CS (2x2.5 GAL) (SP. ORDER) |

DYNE-O-MIGHT



| Part No | Description |
|---------|---|
| 080051 | DYNE-O-MIGHT \ 5 GAL DRUM (SPECIAL ORDER) |

ENVIRON



| Part No | Description |
|---------|----------------------------|
| 080835 | ENVIRON 1 STROKE \ 4x1 GAL |

SANITATION

FORMALDEHYDE



| Part No | Description |
|---------|--|
| 080714 | (PestTx) FORMALDEHYDE \ 4x1 GAL (SPECIAL ORDER) |
| 080715 | (PestTx) FORMALDEHYDE 480 lb NO RETURN 50 GAL DRUM |

FRESH FLO



| Part No | Description |
|---------|---|
| 080930 | FRESH FLO 55 \ 55 GAL DRUM (special order) |
| 080945 | FRESH FLO \ 4x1 GAL (SPECIAL ORDER) |

FOOT PATROL



| Part No | Description |
|---------|------------------------------|
| 080105 | FOOT PATROL 8LB CONTAINER |

IODINE



| Part No | Description |
|---------|------------------------------------|
| 080350 | IODINE (IODIS) 1/75% \ 4sx1 GAL |

GREEN KLEAN



| Part No | Description |
|---------|-----------------------------------|
| 080123 | GREEN KLEAN CRYSTALS 25LB PAIL |

GLUTEX



| Part No | Description |
|---------|-------------------------|
| 080745 | GLUTEX GS2 \ 1 GAL |
| 080743 | GLUTEX GS2 \ 5 GAL DRUM |

SANITATION

rx@palsusa.com
fill your Scripts & VFDs here

HAND SANITIZER



| Part No | Description |
|---------|-------------------------------|
| 562825 | HAND SANITIZER W/ ALOE PURELL |

HYDROGEN PEROXIDE



| Part No | Description |
|---------|---|
| 080130 | HYDROGEN PEROXIDE \ NO RETURN DRUM 15 GAL |

IRON OUT



| Part No | Description |
|---------|-----------------|
| 562853 | IRON OUT 9.5 LB |

ISOPROPYL ALCOHOL



| Part No | Description |
|---------|---|
| 080318 | ISOPROPYL ALCOHOL 99% (special order) \ 4x1 GAL |
| 080320 | ISOPROPYL ALCOHOL 70% \ 4x1 GAL |

KENO



| Part No | Description |
|---------|------------------------|
| 080321 | KENO X5 2.6 GALLON JUG |

LY-HYFAC



| Part No | Description |
|---------|----------------------|
| 080910 | LY-HYFAC #356 \ DRUM |

PHONE
800-328-8842

SANITATION

PROXY-CLEAN



| Part No | Description |
|---------|---------------------------|
| 080127 | PROXY-CLEAN \ 4X1 GAL |
| 080187 | PROXY-CLEAN \ 15 GAL DRUM |

MINERAL CLEAN



| Part No | Description |
|---------|---|
| 080125 | MINERAL CLEAN PROXY CLEAN 4x1 GAL |
| 080186 | MINERAL CLEAN PROXY CLEAN 15 GALLON DRUM |

QUAT TEST



| Part No | Description |
|---------|----------------------|
| 080010 | QUAT TEST KIT 10/BOX |

SANIDATE



| Part No | Description |
|---------|----------------------|
| 080306 | SANIDATE 5.0 2.5 GAL |

SCRUBS IN A BUCKET



| Part No | Description |
|---------|---|
| 562981 | SCRUBS IN A BUCKET HAND CLEANER TOWELS |

STAYFOG

| Part No | Description |
|---------|--------------------------|
| 080501 | STAYFOG CARRIER SOLUTION |

SYNERGIZE



| Part No | Description |
|---------|----------------------|
| 008092 | SYNERGIZE \ 4x1 GAL |
| 080920 | SYNERGIZE 5 GAL DRUM |

SANITATION



STERILEX

| Part No | Description |
|---------|-------------|
|---------|-------------|

| | |
|--------|---|
| 080082 | STERILEX FOOT BATH POWDER 100 LB (SPECIAL ORDER) |
|--------|---|

STERILEX

| Part No | Description |
|---------|-------------|
|---------|-------------|

| | |
|--------|------------------------------|
| 080097 | STERILEX ULTRA STEP 10 LB |
|--------|------------------------------|

TEK-TROL AEROSOL



| Part No | Description |
|---------|-------------|
|---------|-------------|

| | |
|--------|-------------------------------|
| 080832 | TEK-TROL AEROSOL \ 12x17oz |
|--------|-------------------------------|

TEK-TROL



| Part No | Description |
|---------|-------------|
|---------|-------------|

| | |
|--------|--------------------|
| 080834 | TEK-TROL \ 4x1 GAL |
|--------|--------------------|

TRAFFIC C.O.P.



| Part No | Description |
|---------|-------------|
|---------|-------------|

| | |
|--------|-----------------------------|
| 080107 | TRAFFIC C.O.P. \ 18 LB PAIL |
|--------|-----------------------------|

UNIVERSAL BARN CLEANER



| Part No | Description |
|---------|-------------|
|---------|-------------|

| | |
|--------|--|
| 080112 | UNIVERSAL BARN (Quick clean) 1-500 \ 5 GAL DRUM |
|--------|--|

| | |
|--------|---|
| 080113 | UNIVERSAL BARN 55 GAL DRUM (SPECIAL ORDER) |
|--------|---|

VIRKON S



| Part No | Description |
|---------|-------------|
|---------|-------------|

| | |
|--------|------------------------|
| 080500 | VIRKON S \ 4x10 lb TUB |
|--------|------------------------|

VIROCID



| Part No | Description |
|---------|-------------|
|---------|-------------|

| | |
|--------|-----------------------------------|
| 080322 | VIROCID \ 4x5 LITER (1.33 GAL) |
|--------|-----------------------------------|

CHLORINE TEST STRIPS



| Part No | Description |
|---------|-------------|
|---------|-------------|

| | |
|--------|--|
| 562893 | CHLORINE TEST STRIPS FREE/TOTAL CHLORINE 0-10 |
|--------|--|

HYDROGEN PEROXIDE TEST



| Part No | Description |
|---------|-------------|
|---------|-------------|

| | |
|--------|--|
| 562041 | GRAINGER LAMOTTE HYDROGEN PEROXIDE TEST STRIPS (25/PK) |
|--------|--|

SPRAYER



| Part No | Description |
|---------|-------------|
|---------|-------------|

| | |
|--------|-----------------------|
| 562848 | 1 GALLON TANK SPRAYER |
|--------|-----------------------|

PUMP



| Part No | Description |
|---------|-------------|
|---------|-------------|

| | |
|--------|-----------------------------|
| 562986 | 1 OZ PUMP FOR GALLON JUG |
|--------|-----------------------------|

ZEP ALKALINE CLEANER



| Part No | Description |
|---------|-------------|
|---------|-------------|

| | |
|--------|--|
| 080550 | ZEP FORMULA 50 HEAVY DUTY ALKALINE CLEANER 1 GAL |
|--------|--|

ZEP BLUE WASH



| Part No | Description |
|---------|-------------|
|---------|-------------|

| | |
|--------|-------------------------------|
| 080831 | ZEP BLUE MARVEL WASH 1 GAL |
|--------|-------------------------------|

ZEP TRUCK WASH



| Part No | Description |
|---------|-------------|
|---------|-------------|

| | |
|--------|----------------------------------|
| 080830 | ZEP TNT TRUCK WASH 5 GAL PAIL |
|--------|----------------------------------|

SANITATION



ZEP

| Part No | Description |
|---------|---|
| 562872 | ZEP TKO HAND GLEANER 1 GAL |
| 080847 | ZEP BIG ORANGE CLEANER- DEGREASER 1 QUART |
| 080842 | ZEP FS AMINE Z QUAT SANITIZER 1 GAL |
| 080854 | ZEP MILDEW STAIN REMOVER |
| 080844 | ZEP PDC PLAIN DISINFECTANT CLEANER 1 GAL |
| 080828 | ZEP RING MASTER ALL PURPOSE BOWL CLEANER QUART |
| 080829 | ZEP SPIRIT II QUAT BASED GERMICIDAL QUART |
| 080827 | ZEP VETO CLING BOWL CLEANER QUART |
| 080853 | ZEP YNAMIC A II SURFACE DISINFECTANT |



 **ADI-FLOW[®]hp**

A carefully manufactured mixture of additives, specially designed for animal feedstuffs to counteract adverse effects of feed contaminants.

ADI-FLOW HP

Feed contaminants have met their match.



PALATABILITY PRODUCTS

Flavored Feed drives intake,
Intake drives profit

 **OPTISWEET[®]SD**  **KRAVE[®]AP-M**

Formulating high performance feeds at economic cost is the everyday challenge for our customers. Our passion is to provide our customers with the highest quality, specialist flavors and sweeteners that ensure optimized feed consumption, allow maximizing feed raw material flexibility and offer opportunity for unique marketing appeal.



Proxy-Clean®

The Most Trusted Brand in
Waterline Cleaning

Celebrating 15 Years of
Proven Performance!

Proxy-Clean®

Proxy-Clean® is a hydrogen peroxide-based product, specially formulated for use in livestock operations of any size.

Benefits of Using Proxy-Clean®

- Formulated exclusively for livestock drinking water systems
- Removes & prevents heavy soils
- **Equipment Friendly:**
No damage to nipples, medicators, regulators, etc.
- Fast acting & biodegradable
- Cost effective
- Environmentally friendly



Purpose: To efficiently remove heavy soils from the drinking water system.

CLEANING WHEN THE SYSTEM IS NOT IN USE:

- Determine the capacity of the drinking water system.
- Prepare a 1-3% solution depending on the degree of contamination.
- Introduce the solution into the system.
- Make sure there is adequate air release.
- Remove the cap at the end of the drinking system to check for the fizzing reaction to determine the Proxy-Clean has reached every point.
- Activate all nipples or cups.
- Allow the solution to circulate, if possible.
- If circulation is not possible, the system must stand full for a minimum of 12 hours.
- After cleaning, thoroughly flush with potable water.
- Once again, activate all nipples or cups.

CLEANING AN OPERATING SYSTEM : ANIMALS PRESENT

Mix Proxy-Clean™ with water, to the following stock solutions/premix:

| Pump Setting | Water Quantity | Proxy-Clean® |
|--------------|----------------|--------------|
| 1:128 | 5 Gallon | 8 oz. |

If cleaning has to be done when animals are present, start with a dosage of 8 ounces of Proxy-Clean® per 5 gallons of water.

For heavier cleaning, the dosage may be raised until a maximum of 20 ounces of Proxy-Clean® per 5 gallons of water is reached.

Proxy-Clean®

P.O. Box 6224 • McKinney, TX 75071 • 573.225.8453
proxyclean.com



CLEAR VIEW
ENTERPRISES

Proxy-Clean® Brand

Mineral-Clean®

Mineral-Clean®

Proxy-Clean® Brand Mineral-Clean® efficiently removes mineral build-up and scale.

What is Proxy-Clean® Brand Mineral-Clean®?

A combination of organic and inorganic acids.

Why Use Mineral-Clean®?

Mineral-Clean® works best after Proxy-Clean® is used to remove the heavy soils from the water system.

- Efficiently removes mineral & scale
- Equipment-friendly
- Fast-acting
- Cost-effective
- Conforms to USDA Inspection Programs
- Conditions water by reducing pH



Proxy-Clean®

P.O. Box 6224 • McKinney, TX 75071 • 573.225.8453
proxyclean.com

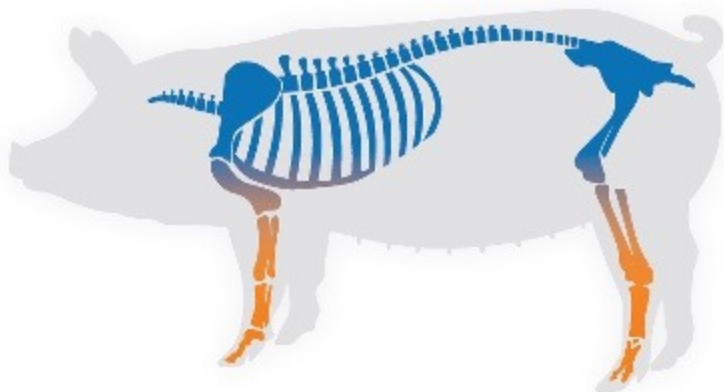


CLEAR VIEW
ENTERPRISES

REV. 5/18



Hy•D®



STAND STRONG

FOR A LIFETIME OF PRODUCTIVITY

Is your sow herd's vitamin D status high enough to ensure strong skeletal development, bone health and mobility? Hy-D®, a pure and proprietary vitamin D metabolite called 25-OH D₃, works better than supplementing with vitamin D alone. Its unique mode of action eliminates the need for the conversion of D₃ in the liver, allowing 25-OH D₃ to be absorbed more quickly and consistently. Help your sows Stand Strong with Hy-D, your vitamin D solution for improving lifetime productivity.

See your DSM representative or visit DSM.com

- Reduced bone lesions
- Improved gilt selection rates
- Reduced farrowing difficulties due to mobility issues
- Heavier birth and weaning weights

HEALTH • NUTRITION • SUSTAINABLE LIVING



PHONE
800-328-8842

PERSONAL PROTECTIVE EQUIPMENT

FACE MASKS



| Part No | Description |
|---------|--|
| 586060 | MASK FILTER 1501 (50 BOX) |
| 586061 | MASK FILTER 8511 (10 BOX) |
| 586062 | MASK FILTER MOLDEX 2300 N95 (10 BOX) |
| 586063 | MASK FILTER 9211 (10 BOX) |
| 586065 | MASK FILTER 8210 (8 INNER BOX/ 20 EACH BOX) |
| 586067 | MASK FILTER 3M 8210V (10 BOX) |
| 586068 | MASK FILTER MOLDEX 4200 N95 (10 BOX) |
| 586076 | SAFETY DIR MASK N95 (20 BOX) |
| 586190 | RESPIRATOR AMMONIA / FORMALDEHYDE - MEDIUM #6200 |
| 586191 | RESPIRATOR AMMONIA / FORMALDEHYDE - LARGE #6300 |
| 586192 | RESPIRATOR AMMONIA CARTRIDGE (2 PKG) #6004 |
| 586193 | RESPIRATOR FORMALDEHYDE CARTRIDGE (2 PKG) #6005 |
| 586194 | RESPIRATOR DUST / MIST PREFILTER RETAINER #501 |
| 586195 | RESPIRATOR DUST / MIST PREFILTER 10 PKG #5N11 |
| 586200 | MOLDEX FORMALDEHYDE CARTRIDGE #7500 |
| 586201 | MOLDEX FULL FACE RESPIRATOR #9003 |
| 586202 | MOLDEX P100 FILTER DISK #7490 (2PK) |

FACE MASKS

| Part No | Description |
|---------|--|
| 586203 | MOLDEX PIGGYBACK ADAPTER #7920 |
| 586204 | MOLDEX PRE-FILTER RETAINER #7020 |
| 586350 | SURGICAL MASK 50 PK |
| 586499 | RESPIRATOR ORGANIC CARTRIDGE YELLOW |

GLASSES



| Part No | Description |
|---------|---------------------------------------|
| 586300 | GLASSES SAFETY CLEAR ANTI-FOG LENS |
| 586305 | GLASSES SAFETY DARK BROWN LENS |

HAIR NET



| Part No | Description |
|---------|--|
| 562038 | HAIR BOUFANT CAPS (NET) 21" 100 BAG |
| 5622711 | HAIR NET BOUFFANT 24" 100 CT BAG |

PERSONAL PROTECTIVE EQUIPMENT



GLOVES



| Part No | Description |
|---------|--|
| 562163 | GLOVES - SIZE LARGE LATEX (50 PR/BOX) |
| 562301 | GLOVES - SIZE MEDIUM LATEX (50 PR/BOX) |
| 562101 | GLOVES - SIZE SMALL LATEX (50 PR/ BOX) |
| 562201 | GLOVES - SIZE X-LARGE LATEX (50 PR/ BOX) |
| 562124 | GLOVES - CCP HAND ARMOR BLACK NITRILE LARGE |
| 562114 | GLOVES - CCP HAND ARMOR BLACK NITRILE MED |
| 562881 | GLOVES - CCP HAND ARMOR BLACK NITRILE SMALL |
| 562115 | GLOVES - CCP HAND ARMOR BLACK NITRILE X-LARGE |
| 562880 | GLOVES - CCP ORANGE NITRILE XX-LARGE (50 PAIR) |
| 562291 | GLOVES - EXAM LATEX X-LARGE (50 PR/ BOX) |
| 5622713 | BLUE NITRATE GLOVE LARGE 100 PAIR |
| 5622714 | BLUE NITRATE GLOVE MED 100 PAIR |
| 5622715 | BLUE NITRATE GLOVE SMALL 100 PAIR |

COVERALL



| Part No | Description |
|---------|---|
| 562982 | COVERALL 3XL PROWORK BREATHABLE (12 CASE) |
| 562976 | COVERALL 4XL PROWORK BREATHABLE (25 CASE) |
| 562974 | COVERALL HOODED TYVEK XL ELASTIC CUFF/ANKLE (25 CASE) |
| 562984 | COVERALL XXL PROWORK BREATHABLE (12 CASE) |
| 562036 | COVERALL XXL WHITE KLEENGUARD BREATHABLE (24 CASE) |
| 562037 | COVERALL XL WHITE KLEENGUARD BREATHABLE (25 CASE) |
| 5622716 | COVERALL 4XL BREATHABLE (25 CASE) |
| 5622717 | COVERALL 5XL BREATHABLE (25 CASE) |
| 562968 | COVERALL XL BREATHABLE (25 CASE) |

WWW.PALSUSA.COM

ORDERS@PALSUSA.COM

PERSONAL PROTECTIVE EQUIPMENT

BOOT COVERS



| Part No | Description |
|---------|---|
| 562506 | BOOT COVERS SAFE TRACK (200/CASE/ 100 PAIR) |

BROWN BOOT



| Part No | Description |
|---------|-------------------------|
| 562919 | BOOT KNEE BROWN SIZE 7 |
| 562921 | BOOT KNEE BROWN SIZE 8 |
| 562926 | BOOT KNEE BROWN SIZE 9 |
| 562920 | BOOT KNEE BROWN SIZE 10 |
| 562916 | BOOT KNEE BROWN SIZE 11 |
| 562917 | BOOT KNEE BROWN SIZE 12 |
| 562925 | BOOT KNEE BROWN SIZE 13 |

GREEN BOOT



| Part No | Description |
|---------|-------------------------|
| 562627 | BOOT KNEE GREEN SIZE 7 |
| 562628 | BOOT KNEE GREEN SIZE 8 |
| 562629 | BOOT KNEE GREEN SIZE 9 |
| 562630 | BOOT KNEE GREEN SIZE 10 |
| 562631 | BOOT KNEE GREEN SIZE 11 |
| 562632 | BOOT KNEE GREEN SIZE 12 |
| 562633 | BOOT KNEE GREEN SIZE 13 |
| 562634 | BOOT KNEE GREEN SIZE 14 |

SANI BOOT



| Part No | Description |
|---------|--|
| 562247 | BOOT SANI ELASTIC 3M \25PR/BAG |
| 562200 | BOOT SANI W/ TIE LARGE 4 ML\25PR/BOX |
| 562500 | BOOT SANI W/ TIE X-LARGE 4 ML\25PR/BOX |
| 562502 | BOOT SANI W/ TIE X-LG 6ML \ 25PR/BOX |
| 562504 | BOOTS SANI TREADER W/ EALSTIC AND GRIPPER XL \40PR/BOX |

LATEX BOOT

| Part No | Description |
|---------|---|
| 562928 | LATEX RUBBER BOOT YELLOW LRGE (12PR/BOX) |
| 562929 | LATEX RUBBER BOOT YELLOW X LRG (12PR/BOX) |

BOOT SCRUBBER BRUSH



| Part No | Description |
|---------|---------------------|
| 562268 | BOOT SCRUBBER BRUSH |

PERSONAL PROTECTIVE EQUIPMENT



TINGLEY BOOTS



| Part No | Description |
|---------|------------------------------|
| 562652 | TINGLEY BOOT ANKLE LARGE |
| 562651 | TINGLEY BOOT ANKLE MEDIUM |
| 562650 | TINGLEY BOOT ANKLE SMALL |
| 562653 | TINGLEY BOOT ANKLE X-LARGE |
| 562654 | TINLGEY BOOT ANKLE XX-LARGE |
| 562640 | TINGLEY BOOT ANKLE XXX-LARGE |
| 562657 | TINGLEY BOOT WORK LARGE |
| 562656 | TINGLEY BOOT WORK MEDIUM |
| 562655 | TINGLEY BOOT WORK SMALL |
| 562658 | TINGLEY BOOT WOORK X-LARGE |
| 562659 | TINGLEY BOOT WORK XX-LARGE |
| 562660 | TINGLEY BOOT WORK XXX-LARGE |

SHOE COVERS



| Part No | Description |
|---------|--|
| 562927 | SHOE COVERS GRAY SKID RESISTANT (5 PAIR BAG) |
| 5622712 | SHOE COVERS (50 PAIR) |

BOOT TRAY



| Part No | Description |
|---------|--|
| 562231 | SANITIZER BOOT TRAY 34.5" Lx23" Wx1.25" H |

BOOT MAT



| Part No | Description |
|---------|-------------------------------|
| 562245 | BIO SECURITY MAT 24" x 29" |

CHECK OUT OUR WEBSITE AND ORDER

www.palsusa.com
orders@palsusa.com

INSECTICIDE

AGITA



| Part No | Description |
|---------|-------------|
|---------|-------------|

| | |
|--------|------------------------|
| 045450 | AGITA 10 WG 1KG BOTTLE |
|--------|------------------------|

ANNIHILATOR



| Part No | Description |
|---------|-------------|
|---------|-------------|

| | |
|--------|-------------------------------------|
| 045446 | ANNIHILATOR POLYZONE 1 PINT 16/CASE |
|--------|-------------------------------------|

AZAGUARD



| Part No | Description |
|---------|-------------|
|---------|-------------|

| | |
|--------|---------------------------------------|
| 045151 | AZAGUARD BOTANICAL INSECTICIDE 32OZ |
| 045150 | AZAGUARD BOTANICAL INSECTICIDE GALLON |

BETLE SHIELD



| Part No | Description |
|---------|-------------|
|---------|-------------|

| | |
|--------|--|
| 045445 | BEETLE SHIELD (RABON) 6% DUST / BAG 10LB |
|--------|--|

BORIC ACID



| Part No | Description |
|---------|-------------|
|---------|-------------|

| | |
|--------|------------------------------|
| 045431 | BORIC ACID GRANULAR 50LB BAG |
|--------|------------------------------|

DELTAGARD



| Part No | Description |
|---------|-------------|
|---------|-------------|

| | |
|--------|--------------------------------|
| 045214 | DELTAGARD 16OZ (SPECIAL ORDER) |
|--------|--------------------------------|

INSECTICIDE

rx@palsusa.com
fill your Scripts & VFDs here

DURASHIELD



| Part No | Description |
|---------|---|
| 045415 | DURASHIELD CS \ 4x12OZ BOTTLE (special order) (license required) |

FLY RIBBON



| Part No | Description |
|---------|--------------------------------------|
| 045116 | CASTMASTER (LURE FLY RIBBON) 960/BOX |

ELECTOR PSP



| Part No | Description |
|---------|----------------------------------|
| 045449 | ELECTOR PSP \ 24 8OZ BOTTLE/CASE |

GOLDEN MALRIN



| Part No | Description |
|---------|-------------------------|
| 045010 | GOLDEN MALRIN \ 4x10 LB |

EXILE DB



| Part No | Description |
|---------|--|
| 045435 | EXIDE DB INSECTICIDE \ 8x30OZ BOTTLE (like Credo D) |

MALATHION



| Part No | Description |
|---------|---|
| 045210 | MALATHION LIQ 57% \ 2x2.5 GAL (SPECIAL ORDER) |

NEPOREX



| Part No | Description |
|---------|---------------------------------------|
| 045419 | NEPOREX (CYROMAZINE) \ BAG 4x11 LB |

PERMETHRIN



| Part No | Description |
|---------|---|
| 045205 | PERMETHRIN SFR \ 4x1 GAL (special order) |
| 045500 | PERMETHRIN 10% (WJC) 12x 32 OZ |

PRO ZAP STRIPS



| Part No | Description |
|---------|--|
| 045117 | PRO ZAP INSECT GUARD STRIPS \ 12/CASE (special order) |

PRO ZAP FOGGER



| Part No | Description |
|---------|---|
| 045504 | PROZAP LD44Z FARM INSECT FOGGER 200Z |

PT FLY BAIT



| Part No | Description |
|---------|--|
| 045023 | PT ALPINE PRESSURIZED FLY BAIT 6/CASE |

RABON



| Part No | Description |
|---------|-----------------------|
| 045425 | RABON 50% WP \ 6x4 LB |

QUICKSTRIKE

| Part No | Description |
|---------|-----------------------------------|
| 045028 | QUICKSTRIKE FLY BAIT SPRAY 5LB |

INSECTICIDE

PHONE
800-328-8842

QUICK STRIKE



| Part No | Description |
|---------|-------------|
|---------|-------------|

| | |
|--------|--|
| 045025 | QUICKSTRIKE FLY SCATTER BAIT 5LB |
| 045026 | QUICKSTRIKE FLY SCATTER BAIT 40 LB |
| 045115 | FLY STRIP QUICKSTRIKE \ 12x2 PKG/CASE |

QUICKBAYT



| Part No | Description |
|---------|-------------|
|---------|-------------|

| | |
|--------|------------------------|
| 045022 | QUICKBAYT \ 35 LB PAIL |
| 045020 | QUICKBAYT \ 4x5 LB |

QUICKBAYT



| Part No | Description |
|---------|-------------|
|---------|-------------|

| | |
|--------|--|
| 045024 | QUICKBAYT SPOT SPRAY \ 6X16 oz pail |
|--------|--|

STRYKER



| Part No | Description |
|---------|-------------|
|---------|-------------|

| | |
|--------|----------------|
| 045004 | STRYKER 1 PINT |
|--------|----------------|

TEMPO



| Part No | Description |
|---------|-------------|
|---------|-------------|

| | |
|--------|-----------------------------------|
| 045424 | TEMPO DUST 1% \ 4x10LB BAG |
| 045426 | TEMPO 20% WP \ 6x420 GM JAR/CS |
| 045423 | TEMPO SC ULTRA \ 12x240 ML/CS |

ZETAGARD



| Part No | Description |
|---------|-------------|
|---------|-------------|

| | |
|--------|-------------------|
| 045011 | ZETAGARD 25LB BAG |
|--------|-------------------|

PHONE
800-328-8842

RODENTICIDE

CANNON



| Part No | Description |
|---------|-----------------------------------|
| 045277 | CANNON SOFT BAIT 4 X 4 LB CASE |

HAVOC



| Part No | Description |
|---------|--------------------------------|
| 045403 | HAVOC XT BLOCK \ 10 LB PAIL |

CYKILL



| Part No | Description |
|---------|------------------------------------|
| 045540 | CYKILL BLOCKS 9 LB \ 4x9LB PAIL |

HAWK



| Part No | Description |
|---------|---------------------------------------|
| 045370 | HAWK PELLETS 1.5OZ \ 2x86 PKG/CASE |
| 045381 | HAWK CHUNX \ 4x18 LB PAIL/CASE |
| 045363 | HAWK MEAL BAIT 25LB BAG |
| 045380 | HAWK SOFT BAIT 16LB |

FASTDRAW



| Part No | Description |
|---------|--|
| 045407 | FASTDRAW SOFT BAIT 16 LB PAIL (special order) |

JAGUAR



| Part No | Description |
|---------|------------------------------------|
| 045350 | JAGUAR \ 4x18 LB PAIL/CASE |
| 045385 | JAGUAR BULK PELLET \ 12 LB PAIL |

RODENTICIDE



JAGUAR



| Part No | Description |
|---------|-----------------------|
| 045352 | JAGUAR SOFT BAIT 16LB |

EXILE CS



| Part No | Description |
|---------|--------------------------------------|
| 045448 | RODENT CAFE BAIT STATION 6 / CASE |

MOLE AND GOPHER



| Part No | Description |
|---------|--|
| 045392 | MOLE AND GOPHER BAIT / 12x1 LB JAR/CASE |

SELONTRA



| Part No | Description |
|---------|---------------------------------------|
| 045269 | SELONTRA SOFT BAIT 4x8LB PAIL/CASE |

RAMPAGE



| Part No | Description |
|---------|---|
| 045279 | RAMPAGE 15 GM \ 121 pkg/pail 2 PAIL/CASE |
| 045280 | RAMPAGE CHUNX 15 GM \ 4x4 LB PAIL/CASE |
| 045282 | RAMPAGE CHUNX 15 GM \ 4x9 LG PAIL/CASE |
| 045281 | RAMPAGE MEAL BAIT 12LB BAG |

TOMCAT



| Part No | Description |
|---------|--|
| 045390 | TOMCAT GLUE BOARD RAT \ 12x2 PKG/CASE |
| 045389 | TOMCAT CLUE BOARD MOUSE 12X2 PAK CASE |

RODENTICIDE

TOMCAT BAIT STATION



| Part No | Description |
|---------|--|
| 045439 | BAIT STATION (Top loader bLack plastic) 6/CASE |
| 045440 | BAIT STATION BULLET \ 6 PER CS |
| 045441 | BAIT STATION VERTICAL \ 6 PER CASE |

TOMCAT TRAPS



| Part No | Description |
|---------|--|
| 045437 | BAIT STATION (HEAVY DUTY) \ 6 PER CS |
| 045388 | TOMCAT MOUSE TRAPS 2 PAK \ 18 PAK/CASE |

TIN CAT



| Part No | Description |
|---------|--------------------|
| 045438 | TIN CAT MOUSE TRAP |

BIRD REPELLENT

BD 135



| Part No | Description |
|---------|---|
| 045520 | BD 135 BLOCK POUCH BIRD REPELLENT (SPECIAL ORDER) |
| 045522 | BD 135 GRANULE POUCH BIRD REPELLENT (SPECIAL ORDER) |
| 045524 | BD 135 GRANULE POUCH 25 LB BIRD REPELLENT (SPECIAL ORDER) |

LITTER TREATMENT



MICROTREAT P



| Part No | Description |
|---------|-----------------------------------|
| 045413 | MICROTREAT P \ 10x500 GRAM PKG |

POULTRY LITTER TREATMENT



| Part No | Description |
|---------|--|
| 045414 | POULTRY LITTER TREATMENT PLT 50LB BAG |

POULTRY GUARD



| Part No | Description |
|---------|------------------------------|
| 045558 | POULTRY GUARD \ BAG 50 LB |

KLASP LITTER TREATMENT




| Part No | Description |
|---------|-------------------------------------|
| 045700 | KLASP LITTER TREATMENT 50 LB BAG |


Just some of the Animal Health Vendors we partner with:



If we don't carry it, we will do our best to get it for you! We strive to be your Supplier of Choice. Whether it is for your Poultry, Hog or even your pets...we can get it for you.


CHEMILIZER PARTS - PUMP - FIXED

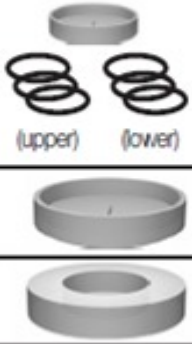
| Fixed Chemical Pumps | |  |
|----------------------|------------------------------|---|
| FG9209-V | 1:128 Pump Viton Assembly | |
| FG9210-V | 1:100 Pump Viton Assembly | |
| FG9211-V | 2:100 Pump Viton Assembly | |
| FG9220-V | 2:128 Pump Viton Assembly | |
| FG9222-V | 1:250 Pump Viton Assembly | |
| FG9225-V | 1:500 Pump Viton Assembly | |
| FG9309 | 1:128 Pump Silicone Assembly | |
| FG9310 | 1:100 Pump Silicone Assembly | |
| FG9311 | 2:100 Pump Silicone Assembly | |
| FG9320 | 2:128 Pump Silicone Assembly | |
| FG9322 | 1:250 Pump Silicone Assembly | |

| Pump Rebuild Kits | |  |
|-------------------|---------------------------------|--|
| FG9409-V | 1:128 Pump Rebuild Viton Kit | |
| FG9410-V | 1:100 Pump Rebuild Viton Kit | |
| FG9411-V | 2:100 Pump Rebuild Viton Kit | |
| FG9420-V | 2:128 Pump Rebuild Viton Kit | |
| FG9422-V | 1:250 Pump Rebuild Viton Kit | |
| FG9425-V | 1:500 Pump Rebuild Viton Kit | |
| FG9509 | 1:128 Pump Rebuild Silicone Kit | |
| FG9510 | 1:100 Pump Rebuild Silicone Kit | |
| FG9511 | 2:100 Pump Rebuild Silicone Kit | |
| FG9520 | 2:128 Pump Rebuild Silicone Kit | |
| FG9522 | 1:250 Pump Rebuild Silicone Kit | |

Note: All pump rebuild kits come with stem, check valve and housing o-rings.






CHEMILIZER PARTS - PUMP - FIXED

| Fixed Chemical Pump Stems | |  |
|---------------------------|--------------------------|---|
| FG9009 | 1:128 Pump Stem Viton | |
| FG9010 | 1:100 Pump Stem Viton | |
| FG9011 | 2:100 Pump Stem Viton | |
| FG9020 | 2:128 Pump Stem Viton | |
| FG9022 | 1:250 Pump Stem Viton | |
| FG9025 | 1:500 Pump Stem Viton | |
| FG9109 | 1:128 Pump Stem Silicone | |
| FG9110 | 1:100 Pump Stem Silicone | |
| FG9111 | 2:100 Pump Stem Silicone | |
| FG9120 | 2:128 Pump Stem Silicone | |
| FG9122 | 1:250 Pump Stem Silicone | |

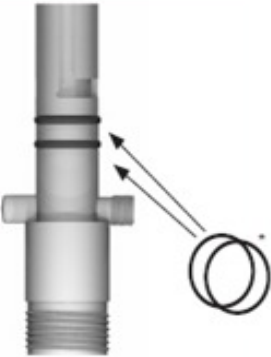
| O-ring Kits | |  |
|-------------|---------------------------|---|
| FG9910 | 1% Viton Repair Kit | |
| FG9911 | 1% Silicone Repair Kit | |
| FG9912 | 2% Viton Repair Kit | |
| FG9913 | 2% Silicone Repair Kit | |
| FG15104 | Check Valve 2% - Silicone | |
| FG15504 | Check Valve 2% - Viton | |
| FG15204 | Check Valve 1% - Silicone | |
| FG15404 | Check Valve 1% - Viton | |

Note: All o-ring kits come with 3 upper and 3 lower o-rings and a check valve.

CHEMILIZER PARTS - PUMP - FIXED

| Fixed Pump Housing | | |
|--------------------|--------------------------------|---|
| FG9936 | 1% Silicone Pump Cap Assembly* |  |
| FG9936-V | 1% Viton Pump Cap Assembly* | |
| FG9937 | 2% Silicone Pump Cap Assembly* |  |
| FG9937-V | 2% Viton Pump Cap Assembly* | |
| 003921 | Filter PVC Assembly |  |
| 10095071 | Sleeve 1% |  |
| 10095072 | Sleeve 2% |  |








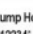

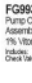

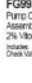






* Includes check valve

| Fixed Pump Housing | | |
|--------------------|--|---|
| 10095065* | <p>Pump Housing O-rings 117 Viton Pump Housing</p> <p><i>Fits 1% or 2% Pumps</i></p> <ul style="list-style-type: none"> • 1%=1:100, 1:128, 1:250 & 1:500 ratios • 2%=2:100 & 2:128 ratios |  |

* Universal o-rings

REPAIRS

Chemical Pump Parts

| Chemical Pumps | | Pump Stems | |
|--|---|---|--|
|  | FG9209-V 1:128 Pump Viton Assembly |  | FG9009 1:128 Pump Stem Viton |
| | FG9210-V 1:100 Pump Viton Assembly | | FG9010 1:100 Pump Stem Viton |
| | FG9211-V 2:100 Pump Viton Assembly | | FG9011 2:100 Pump Stem Viton |
| | FG9220-V 2:128 Pump Viton Assembly | | FG9020 2:128 Pump Stem Viton |
| | FG9222-V 1:250 Pump Viton Assembly | | FG9022 1:250 Pump Stem Viton |
| | FG9223-V 1:500 Pump Viton Assembly | | FG9023 1:500 Pump Stem Viton |
| | FG9309 1:128 Pump Silicone Assembly | | FG9109 1:128 Pump Stem Silicone |
| | FG9310 1:100 Pump Silicone Assembly | | FG9110 1:100 Pump Stem Silicone |
| | FG9311 2:100 Pump Silicone Assembly | | FG9111 2:100 Pump Stem Silicone |
| | FG9320 2:128 Pump Silicone Assembly | | FG9120 2:128 Pump Stem Silicone |
| | FG9322 1:250 Pump Silicone Assembly | | FG9122 1:250 Pump Stem Silicone |
| Pump Rebuild Kits All Pump Rebuild Kits Come with Stem, Check Valve and Housing O-Rings | | | |
|  | FG9406-V 1:128 Pump Rebuild Viton Kit |  | FG9509 1:128 Pump Rebuild Silicone Kit |
| | FG9416-V 1:100 Pump Rebuild Viton Kit | | FG9510 1:100 Pump Rebuild Silicone Kit |
| | FG9411-V 2:100 Pump Rebuild Viton Kit | | FG9511 2:100 Pump Rebuild Silicone Kit |
| | FG9420-V 2:128 Pump Rebuild Viton Kit | | FG9520 2:128 Pump Rebuild Silicone Kit |
| | FG9425-V 1:500 Pump Rebuild Viton Kit | | FG9522 1:250 Pump Rebuild Silicone Kit |
|  | F15104 Check Valve 2% - Silicone |  | F15204 Check Valve 1% - Silicone |
|  | F15504 Check Valve 2% - Viton |  | F15404 Check Valve 1% - Viton |
|  | FG9936 Pump Cap Assembly 1% Silicone Includes Check Valve |  | FG9936-V Pump Cap Assembly 1% Viton Includes Check Valve |
|  | FG9937 Pump Cap Assembly 2% Silicone Includes Check Valve |  | FG9937-V Pump Cap Assembly 2% Viton Includes Check Valve |
| Pump Housing O-Rings | | | |
| F12234* 117 Viton Pump Housing Fits 1% or 2% Pumps 1% = 1-103, 1-126, 1-200 & 1-500 sizes 2% = 2-103 & 2-126 sizes | | | |
|  | FG5031 Flare P.V.C. Assembly |  | F14010 Sleeve 1% |
|  | F14011 Sleeve 2% |  | FG6032 Suction Hose Assembly |
|  | F13025 PE Tube (podd by inch) |  | F24150 1/4 Camp for Suction Hose |



Part No Description

098244 CHEMILIZER PUMP CAP VITON ASSY 1% FG9936

098246 CHEMILIZER PVC FILTER ASSY FG5031

098247 CHEMILIZER MOTOR REBUILD KIT FG5001

098248 CHEMILIZER CHEMICAL HOSE ASSY FG9927

098249 CHEMILIZER SLEEVE KYNAR

098250 CHEMILIZER DIAPHRAM ASSY FG5003

098230 CHEMILIZER CHEMICAL PUMP 1:128 VITON

098235 CHEMILIZER TENSION BAND (OLD# F12232)

098240 CHEMILIZER VITON O-RING DISC KIT 1% OR9910

098241 CHEMILIZER CHECKVALVE 1% VITON F15404

098242 CHEMILIZER PUMP KIT 1:128 VITON OR9409-V (Blue)

098245 CHEMILIZER SLEEVE CERAMIC

CHEMILIZER

PRODUCT HN55



| Part No | Description |
|---------|------------------------------|
| 098200 | CHEMILIZER HN55 MEDICATOR |

I/O VALVE



| Part No | Description |
|---------|-------------------------------------|
| 098259 | CHEMILIZER I/O VALVE ASSY FG5040 |

BY-PASS



| Part No | Description |
|---------|-----------------------------------|
| 098258 | CHEMILIZER BY-PASS ASSY FG8017 |

MOTOR PISTON



| Part No | Description |
|---------|---------------------------------------|
| 098257 | CHEMILIZER MOTOR PISTON CUP F33006 |

PIVOT ARM



| Part No | Description |
|---------|------------------------------------|
| 098254 | CHEMILIZER PIVOT ARM ASSY FG042 |

TWIST AIR VENT



| Part No | Description |
|---------|--|
| 098261 | CHEMILIZER TWIST AIR VENT ASSY FG8023 |

INLET TEE

| Part No | Description |
|---------|-------------------------------------|
| 098252 | CHEMILIZER INLET TEE ASSY FG8019 |

BOTTOM BODY

| Part No | Description |
|---------|---|
| 098263 | CHEMILIZER MAIN BOTTOM BODY ASSY FG8015 |

PUMP KIT



| Part No | Description |
|---------|--|
| 098236 | CHEMILIZER PUMP KIT 1:128 SILICONE FG9509 |

OUTLET TEE



| Part No | Description |
|---------|--------------------------------------|
| 098251 | CHEMILIZER OUTLET TEE ASSY FG8020 |

ACTUATOR



| Part No | Description |
|---------|---------------------------------|
| 098253 | CHEMILIZER ACTUA ASSY FG5043 |

O-RING



| Part No | Description |
|---------|------------------------------------|
| 098271 | CHEMILIZER O-RINGS 159 10095054 |

O-RING

| Part No | Description |
|---------|--|
| 098238 | CHEMILIZER O-RING UPPER SEAL 10095063 (50 pack) |
| 098239 | CHEMILIZER O-RING LOWER SEAL 10095064 (50 pack) |

PARTS

| Part No | Description |
|---------|---|
| 098260 | CHEMILIZER TOP CAP ASSY FG8013 |
| 098262 | CHEMILIZER MAIN TOP |
| 098268 | CHEMILIZER PISTON GUIDE INSERT F13075 |
| 098231 | CHEMILIZER PUMP KIT 1:128 VITON FG9409-V (WHITE) |

ADJUSTABLE PUMP

| Part No | Description |
|---------|---|
| 098273 | CHEMILIZER ADJUSTABLE PUMP 50:1-154:1, 2%-0.6% |

PHONE
800-328-8842

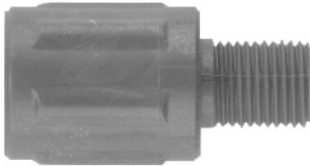
STENNER

CHECK VALVE DUCKBILL



| Part No | Description |
|---------|--|
| 098331 | STENNER SANTOPRENE CHECK VALVE DUCKBILL (2/PACK) |

CHECK VALVE



| Part No | Description |
|---------|----------------------------------|
| 098332 | STENNER CHECK VALVE BODY 1/4" |

PUMP



| Part No | Description |
|---------|---|
| 098012 | STENNER PUMP M128 (120V) 40GPD 100 PSI |

PUMP



| Part No | Description |
|---------|--|
| 098306 | STENNER PUMP 45MPH10 (120V) FIXED 100 PSI#2 TUBE |

PUMP



| Part No | Description |
|---------|--|
| 098308 | STENNER PUMP 85MHP17 (120V) ADJUSTABLE 100 PSI 2/#2 TUBE |

FERRULE



| Part No | Description |
|---------|--|
| 098328 | STENNER FERRULE 1/4" 24-PK (SELL AS EACH) |

TUBE



| Part No | Description |
|---------|------------------------|
| 098321 | STENNER #3 TUBE 2 PACK |
| 098324 | STENNER #5 TUBE 2 PACK |

CONNECTING NUT



| Part No | Description |
|---------|-----------------------------------|
| 098329 | STENNER CONNECTING NUT 1/4" 24-PK |

STRAINER



| Part No | Description |
|---------|---|
| 098327 | STENNER WEIGHTED SUCTION LINE STRAINER 1/4" |

FLOW INDICATOR



| Part No | Description |
|---------|-----------------------------------|
| 098330 | STENNER FLOW INDICATOR W/ BRACKET |

TUBE W/ FERRULE & DUCKBILL



| Part No | Description |
|---------|---|
| 098322 | STENNER #1 TUBE 2/PK HIGH PSI W/ FERRULE & DUCKBILL |
| 098323 | STENNER #2 TUBE 2/PK HIGH PSI W/ FERRULE & DUCKBILL |
| 098325 | STENNER #7 TUBE W/PK HIGH PSI W/ FERRULE & DUCKBILL |

PUMP HEAD



| Part No | Description |
|---------|--|
| 098334 | STENNER PUMP HEAD NEW QUICKPRO W/#2 TUBE |

WATER METER



| Part No | Description |
|---------|--|
| 098315 | STENNER WATER METER 3/4" PLASTIC (1 GAL/PULSE) JPL |
| 098316 | STENNER WATER METER 1 1/2" PLASTIC (1 GAL/PULSE) JPL |
| 098022 | STENNER WATER METER 1" PLASTIC PSI 100 (1 GAL/PULSE) JPL |

PUMP CONTROL



| Part No | Description |
|---------|---------------------------------------|
| 098310 | STENNER PUMP CONTROL MODULE PCM-10 |
| 098311 | STENNER PUMP CONTROL MODULE PCM-5 |

PUMP

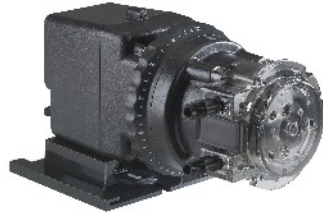
| Part No | Description |
|---------|--|
| 098314 | STENNER PUMP 45MHP2 (120V) FIXED 100 PSI #1 TUBE |
| 098309 | STENNER PUMP 85MHP17 (120V) FIXED 100 PSI W/#2 TUBE |
| 098041 | STENNER PUMP 85MHP40 (120V) FIXED 100 PSI W/ #7 TUBE |

INJECTION CHECK VALVE



| Part No | Description |
|---------|---------------------------------------|
| 098210 | STENNER INJECTION CHECK VALVE 1/4" |

PUMP



| Part No | Description |
|---------|--|
| 098307 | STENNER PUMP 45MHP10 (120V) ADJUSTABLE 100 PSI W/#2 TUBE |

INTEGRATOR



| Part No | Description |
|---------|--|
| 098312 | STENNER PUMP ECON INTEGRATOR 16GPD 80PSI E20RHG71A |

LITHIUM GREASE



| Part No | Description |
|---------|---|
| 098353 | STENNER AQUASHIELD LITHIUM BASE GREASE 50Z |

STENNICATOR



| Part No | Description |
|---------|-------------|
|---------|-------------|

| | |
|--------|--|
| 098313 | STENNER PUMP STENNICATOR 1:128 2.7 OZ 80 PSI |
|--------|--|

| | |
|--------|--|
| 098338 | STENNER STENNICATOR ROLLER ASSY BLACK |
|--------|--|

| | |
|--------|--|
| 098339 | STENNER STENNICATOR PUMP HEAD COVER |
|--------|--|

| | |
|--------|-----------------------------------|
| 098337 | STENNER TUBE H 2PK STENNICATOR |
|--------|-----------------------------------|

QUICKPRO

| Part No | Description |
|---------|-------------|
|---------|-------------|

| | |
|--------|-------------------------------------|
| 098355 | STENNER QUICKPRO ROLLER ASSEMBLY |
|--------|-------------------------------------|

PARTS

| Part No | Description |
|---------|-------------|
|---------|-------------|

| | |
|--------|--|
| 098055 | STENNER WATER METER SEAMETRICSSGLEREED SWITCH SENSOR |
|--------|--|

| | |
|--------|---------------------------------|
| 098354 | STENNER TUBE G 2PK ECON PUMP |
|--------|---------------------------------|

FILTER SCREEN

| Part No | Description |
|---------|-------------|
|---------|-------------|

| | |
|--------|---------------------------------------|
| 098053 | FILTER SCREEN 1 1/2-100 MESH \EACH |
|--------|---------------------------------------|

SUCTION / DISCHARGE TUBE

| Part No | Description |
|---------|-------------|
|---------|-------------|

| | |
|--------|--|
| 098326 | STENNER SUCTION / DISCHARGE UBE WHITE 20'X1/4" |
|--------|--|

TUBE HOUSING



| Part No | Description |
|---------|-------------|
|---------|-------------|

| | |
|--------|--------------------------------------|
| 098335 | STENNER TUBE HOUSING WITH LATCHES |
|--------|--------------------------------------|

TUBE HOUSING COVER



| Part No | Description |
|---------|-------------|
|---------|-------------|

| | |
|--------|--|
| 098336 | STENNER TUBE HOUSING COVER WITH BUSHING |
|--------|--|

PHONE
800-328-8842

DOSATRON

DM11F 11 GPM



| Part No | Description |
|---------|--------------------------------------|
| 097900 | DOSATRON DM11F (Diaphragm driven) |

PLUNGER



| Part No | Description |
|---------|-------------------------------------|
| 097797 | DOSATRON DM11F PLUNGER W/O SEALS |

DM11F NUT



| Part No | Description |
|---------|------------------------------|
| 097798 | DOSATRON DM11F NUT PD1734 |

DIAPHRAGM



| Part No | Description |
|---------|--------------------------------------|
| 097273 | DOSATRON DM11F DIAPHRAGM SUB ASSY |

ISOLATION BODY



| Part No | Description |
|---------|---------------------------------|
| 097270 | DOSATRON DM11 ISOLATION BODY |

DM11F SLIDING VALVE

| Part No | Description |
|---------|---------------------------------|
| 098275 | DOSATRON DM11F SLIDING VALVE |

DM11F CERAMIC PLATE



| Part No | Description |
|---------|---------------------------------|
| 098276 | DOSATRON DM11F CERAMIC PLATE |

DM11F NUT



| Part No | Description |
|---------|------------------------------|
| 097799 | DOSATRON DM11F NUT PD1735 |

PLUNGER O-RING



| Part No | Description |
|---------|---|
| 097274 | DOSATRON DM11F PLUNGER MID SECTION O-RING |

CHECK VALVE



| Part No | Description |
|---------|------------------------------|
| 097271 | DOSATRON DM11 CHECK VALVE |

O-RING

| Part No | Description |
|---------|-------------------------------|
| 097275 | DOSATRON DM11F O-RING SEAL |

DM11F STYLE INJ

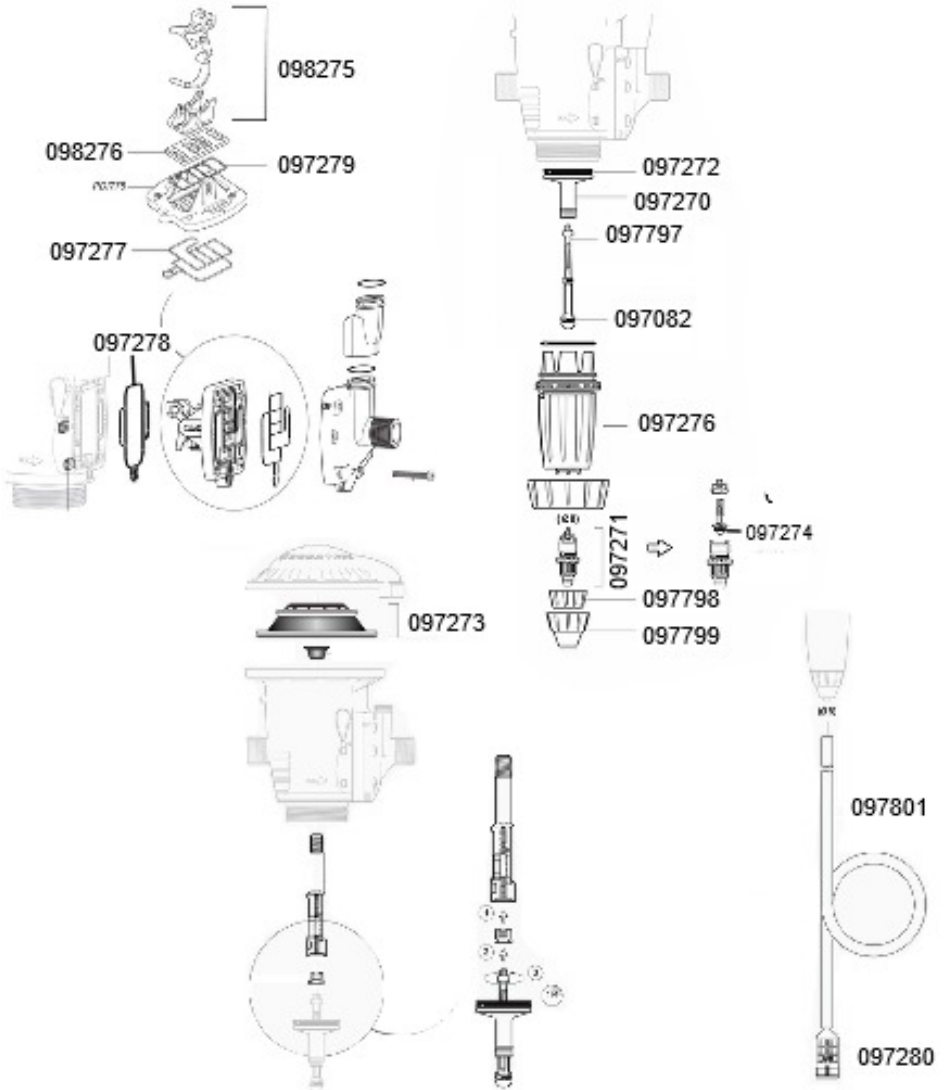


| Part No | Description |
|---------|---|
| 097276 | DOSATRON DM11F NEW STYLE INJ STEM BLK (PD1784U) |

STRAINER

| Part No | Description |
|---------|--|
| 097280 | DOSATRON STRAINER ASSEMBLY 8MM (DM11F/D14M22) |

DM11F PARTS BREAKDOWN



VISIT DOSATRONUSA.COM FOR
COMPLETE SCHEMATICS AND REPAIR
PARTS

D25F 11 GPM



| Part No | Description |
|---------|------------------------------------|
| 097600 | DOSATRON D25F 11 GPM D25F SHELL |



| Part No | Description |
|---------|---------------------|
| 097214 | DOSATRON D25F SHELL |

PUSH ROD O-RING



| Part No | Description |
|---------|----------------------------------|
| 097216 | DOSATRON D25F PUSH ROD O-RING |

D25F PLUNGER



| Part No | Description |
|---------|-------------------------------|
| 097082 | DOSATRON D25F PLUNGER SEAL |

VALVE SEAL



| Part No | Description |
|---------|-------------------------------|
| 097106 | DOSATRON OUTPUT VALVE SEAL |

CHECK VALVE



| Part No | Description |
|---------|-----------------------------------|
| 097210 | DOSATRON D25F CHECK VALVE SEAL |

TOP CAP



| Part No | Description |
|---------|---------------------------------|
| 097071 | DOSATRON TOP CAP O RING SEAL |

PUSH ROD



| Part No | Description |
|---------|------------------------|
| 097218 | DOSATRON D25F PUSH ROD |

LOCKING NUT



| Part No | Description |
|---------|--|
| 097499 | DOSATRON LOCKING NUT 6MM SUCTION HOSE |

PHONE
800-328-8842

DOSATRON

ACTUATOR SPRING



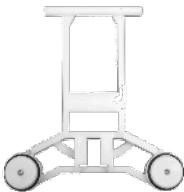
| Part No | Description |
|---------|----------------------------------|
| 097208 | DOSATRON D25F ACTUATOR SPRING |

ACTUATOR ASSY



| Part No | Description |
|---------|--------------------------------|
| 097212 | DOSATRON D25F ACTUATOR ASSY |

D25F OUTPUT VALVE



| Part No | Description |
|---------|------------------------------------|
| 097206 | DOSATRON D25F OUTPUT VALVE ASSY |

CHECK VALVE SPRING



| Part No | Description |
|---------|--|
| 097200 | DOSATRON D25F CHECK VALVE SPRING/ CONE ASSY |

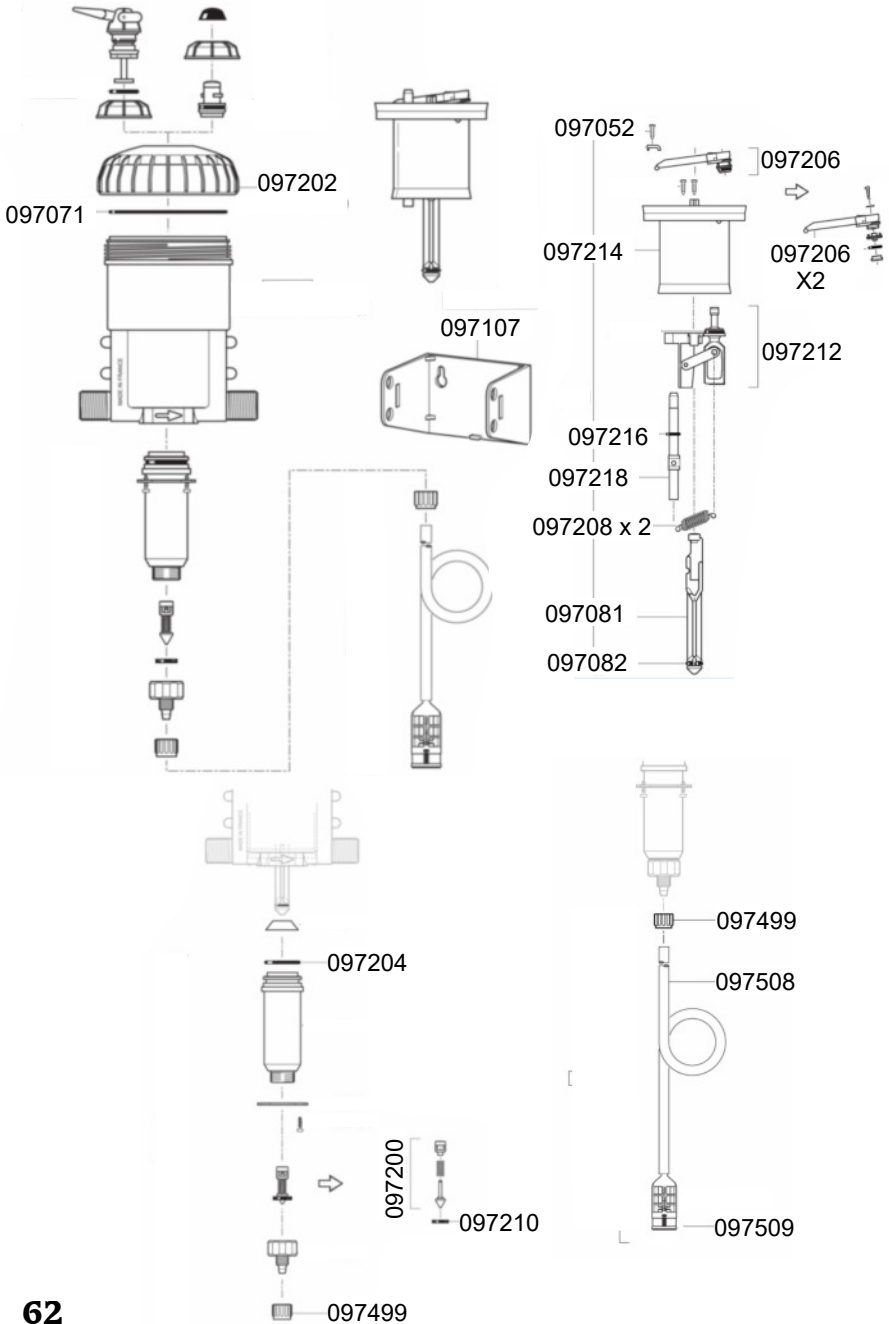
D25F OUTPUT VALVE

| Part No | Description |
|---------|--------------------------------|
| 097204 | DOSATRON D25F SLEEVE O-RING |



| Part No | Description |
|---------|-------------------------------------|
| 097220 | DOSATRON D25F INJECTION SEAL KIT |

D25F PARTS BREAKDOWN



D128R 7GPM



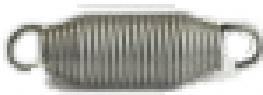
| Part No | Description |
|---------|---------------------|
| 097070 | DOSATRON D128R 7GPM |

PISTON SHELL



| Part No | Description |
|---------|---------------------------|
| 097105 | DOSATRON 25F PISTON SHELL |

ACTUATOR SPRING



| Part No | Description |
|---------|----------------------------------|
| 097072 | DOSATRON 7GPM ACTUATOR SPRING |

D128R PUMP BODY



| Part No | Description |
|---------|-----------------------------------|
| 097800 | DOSATRON 128R PUMP BODY - BLUE |

STEM, CAP



| Part No | Description |
|---------|-------------------------------------|
| 097502 | DOSATRON D128R STEM CAP NEW TYPE |

STEM SLEEVE



| Part No | Description |
|---------|--|
| 097503 | DOSATRON D128R BLACK STEM SLEEVE 1-5% |

PUSH ROD O-RING



| Part No | Description |
|---------|----------------------------------|
| 097102 | DOSATRON 7GPM PUSH ROD O-RING |

PUSH ROD



| Part No | Description |
|---------|---------------------------|
| 097101 | DOSATRON 7GPM PUSH ROD |

PISTON ROD PLUNGER



| Part No | Description |
|---------|--------------------------------------|
| 097073 | DOSATRON D128R PISTON ROD PLUNGER |

BOTTOM SEAL



| Part No | Description |
|---------|------------------------------------|
| 097501 | DOSATRON D128R BOTTOM SEAL (VT) |

WISHBONE SPRING

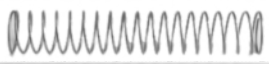


| Part No | Description |
|---------|--|
| 097104 | DOSATRON 7GPM WISHBONE SPRING VALVE ASSY |

ACTUATOR ASSY

| Part No | Description |
|---------|---|
| 097103 | DOSATRON 7GPM ACTUATOR ASSY W/J007 HT O-RING |

VALVE SLIDING SPRING



| Part No | Description |
|---------|--|
| 097506 | DOSATRON D128R VALVE SLIDING SPRING |

TOP SEAL

| Part No | Description |
|---------|---------------------------------|
| 097500 | DOSATRON D128R TOP SEAL (VT) |

SLIDE VALVE

| Part No | Description |
|---------|-------------------------------|
| 097505 | DOSATRON D128R SLIDE VALVE |

VALVE

| Part No | Description |
|---------|---|
| 097100 | DOSATRON ADMISSION VALVE SEAL J007VT |

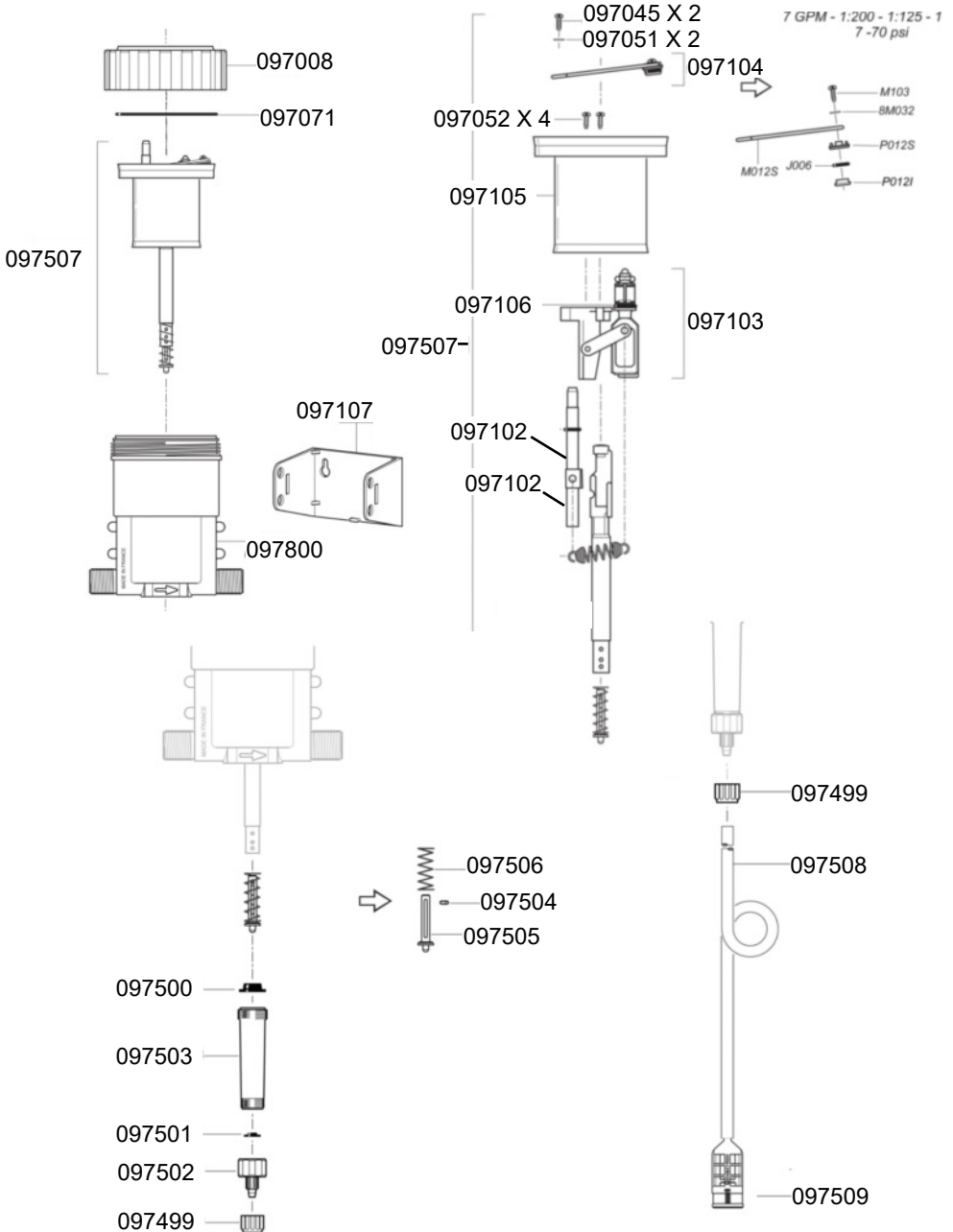
BODY GASKET

| Part No | Description |
|---------|----------------------------------|
| 097277 | DOSATRON TRANSFER BODY GASKET |

MOUNTING BRACKET

| Part No | Description |
|---------|--|
| 097107 | DOSATRON MOUNTING BRK'T PLASTIC 7/11GPM |

D128R PARTS BREAKDOWN



200 MESH



| Part No | Description |
|---------|----------------------|
| 097068 | 200 MESH HOOK UP KIT |

FILTER

| Part No | Description |
|---------|---------------------------------------|
| 097066 | 200 MESH INNER SCREEN FOR HOOK UP KIT |

R1



| Part No | Description |
|---------|------------------------------|
| 097061 | DOST R1 SCREEN FILTER \ EACH |

VALVE SLIDE PIN

| Part No | Description |
|---------|--------------------------|
| 097504 | DOSATRON VALVE SLIDE PIN |

WEIGHT

| Part No | Description |
|---------|-------------------------------------|
| 097512 | DOSATRON WEIGHT FOR 6MM HOSE SS NUT |

STRAINER



| Part No | Description |
|---------|---------------------------------|
| 097509 | DOSATRON 6MM STRAINER NO WEIGHT |

HOSE



| Part No | Description |
|---------|---------------------------------------|
| 097508 | DOSATRON 6MM 6' SUCTION HOSE 7/11GPM |
| 097801 | DOSATRON HOSE 6 FT (8mm) D14M22/DM11F |

PUMP BODY

| Part No | Description |
|---------|---------------------------|
| 097278 | DOSATRON PUMP BODY GASKET |

ACTUATOR GASKET

| Part No | Description |
|---------|--------------------------|
| 097279 | DOSATRON ACTUATOR GASKET |

INJECTOR MEDICATOR

| Part No | Description |
|---------|---|
| 097390 | DOSATRON D8RE2VFII 40 GPM INJECTOR MEDICATOR 1:500-1:50 |

DIVERSIFIED MIXRITES



| Part No | Description |
|---------|--|
| 098010 | DIVERSIFIED MIXRITE 2502 MEDICATOR RATE 0.2-2% |
| 098020 | DIVERSIFIED MIXRITE 2504 MEDICATOR RATE 0.4-4% |
| 098021 | DIVERSIFIED MIXRITE 12502 MEDICATOR .2-2% W/ON/OFF |

PARTS “O” RING

| Part No | Description |
|---------|--|
| 098031 | DIVERSIFIED MIXRITE CYLINDER SUPPORT “O” RING |
| 098033 | DIVERSIFIED MIXRITE CYLINDER “O” RING |
| 098034 | DIVERSIFIED MIXRITE CHECK VALVE LOWER “O” RING |

DIVERSIFIED SEAL KIT



| Part No | Description |
|---------|--------------------------------------|
| 098006 | DIVERSIFIED MIXRITE 2502 SEAL KIT |

MIXRITE SPRING

| Part No | Description |
|---------|---|
| 098019A | DIVERSIFIED MIXRITE PLASTIC CYLINDER SPRING |

DIVERSIFIED MIXRITE CHECK VALVE

| Part No | Description |
|---------|---|
| 098110 | DIVERSIFIED MIXRITE CHECK CHECK VALVE KIT FOR 2503 |



800-328-8842

PARTS



ETATRON



| Part No | Description |
|---------|-------------|
|---------|-------------|

| | |
|--------|--|
| 098350 | ETATRON E1 BASIC METERING PUMP 101 PSI |
|--------|--|

ETATRON



| Part No | Description |
|---------|-------------|
|---------|-------------|

| | |
|--------|------------------------|
| 098352 | ETATRON E128 MEDICATOR |
|--------|------------------------|

FARM GUARD REPAIRS



| Part No | Description |
|---------|-------------|
|---------|-------------|

| | |
|--------|--|
| 098341 | FARM GUARD FILTER CARTRIDGE 20 MICRON |
|--------|--|

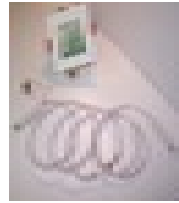
HYDRO SPRAYER



| Part No | Description |
|---------|-------------|
|---------|-------------|

| | |
|--------|---|
| 098343 | HYDRO SPRAYER 48oz (DILUTION 16:1-128:1) |
|--------|---|

REPLACEMENT FILTER



| Part No | Description |
|---------|-------------|
|---------|-------------|

| | |
|--------|------------------------------------|
| 098036 | FILTER SCREEN 2-140 MESH \ EACH |
|--------|------------------------------------|

| | |
|--------|--|
| 098037 | FILTER SCREEN 1 1/2-140 MESH \ EACH |
|--------|--|

MEDICATORS

| Part No | Description |
|---------|-------------|
|---------|-------------|

| | |
|--------|-------------------------|
| 098302 | QUICK MIX PUMP (EZ MIX) |
|--------|-------------------------|

FILTER SCREEN

| Part No | Description |
|---------|-------------|
|---------|-------------|

| | |
|--------|-----------------------------|
| 098100 | FILTER SCREEN 1-100 MESH |
|--------|-----------------------------|

REPLACEMENT BOWL



| Part No | Description |
|---------|-------------|
|---------|-------------|

| | |
|--------|--------------------------------------|
| 098039 | FILTER SPIN DOWN 3/4-1" BOWL ONLY |
| 098038 | FILTER SPIN DOWN 2 BOWL ONLY |
| 098040 | FILTER SPIN DOWN 1 1/2 BOWL ONLY |

FILTER SPIN

| Part No | Description |
|---------|-------------|
|---------|-------------|

| | |
|--------|--|
| 098069 | FILTER SPIN DOWN 1"-250 MESH COMPLETE \ EACH |
|--------|--|

SPIN DOWN PRODUCT

| Part No | Description |
|---------|-------------|
|---------|-------------|

| | |
|--------|--|
| 098072 | FILTER SPIN DOWN 2"-100 MESH COMPLETE \ EACH |
| 098070 | FILTER SPIN DOWN 1"-100 MESH COMPLETE \ EACH |
| 098071 | FILTER SPIN DOWN 1 1/2"-100 MESH COMPLETE \ EACH |

FILTER O RING

| Part No | Description |
|---------|-------------|
|---------|-------------|

| | |
|--------|---|
| 098050 | FILTER SPIN DOWN 3/4"-1" O RING (098070) |
| 098051 | FILTER SPIN DOWN 1 1/2" O RING (098071) |

GENESIS

| Part No | Description |
|---------|-------------|
|---------|-------------|

| | |
|--------|---|
| 098090 | GENESIS INSTRUMENTS SELECT DOSER 640 |
| 098097 | GENESIS HOSE CONNECTOR 3/16" FOR 640 DOSER EACH |
| 098098 | GENESIS TUBE PURPLE FOR 640 SELECT DOSER EACH |
| 098099 | GENESIS CHECK VALVE 3/16" FOR 640 SELECT DOSER EA |

QUICK BLEND

| Part No | Description |
|---------|-------------|
|---------|-------------|

| | |
|--------|---|
| 098300 | PROXY PUMP QUICK BLEND #4007 (SP. ORDER) |
|--------|---|

TAG PLIER & TAGS



| Part No | Description |
|---------|-------------|
|---------|-------------|

| | |
|--------|---|
| 635301 | TAG PLIER UNIVERSAL |
| 635300 | TAGS LARGE MALE HOG BLUE/BLANK (25/PACK) |

BEAK TRIMMER



| Part No | Description |
|---------|-------------|
|---------|-------------|

| | |
|--------|-------------------------------|
| 635709 | TURKEY BEAK TRIMMER-CORONA |
|--------|-------------------------------|

LIVESTOCK MARKERS



SPRAYOLO



| Part No | Description |
|---------|---------------------------------------|
| 635738 | SPRAYOLO - NEON ORANGE PINT (12/CASE) |
| 635739 | SPRAYOLO - BLUE PINT (12/CASE) |
| 635740 | SPRAYOLO - PINK PINT (12/CASE) |
| 635741 | SPRAYOLO - GREEN PINT (12/CASE) |
| 635742 | SPRAYOLO - PINK GALLON |
| 635743 | SPRAYOLO - GREEN GALLON |
| 635744 | SPRAYOLO - NEON ORANGE |
| 635745 | SPRAYOLO - BLUE GALLON |
| 635746 | SPRAYOLO TRIGGER SPRAYER |
| 635747 | SPRAYOLO - PURPLE GALLON |

MARKING SPRAY



| Part No | Description |
|---------|-----------------------|
| 635889 | PRIMA II BLUE 17.5oz |
| 635890 | PRIMA II GREEN 17.5oz |
| 635982 | PRIMA II BLACK 17.5oz |

PAINT TWIST



| Part No | Description |
|---------|----------------------------------|
| 635720 | PAINT TWIST-STIK RED (12/BOX) |
| 635723 | PAINT TWIST-STIK GREEN (12/BOX) |
| 635724 | PAINT TWIST-STIK BLACK (12/BOX) |
| 635725 | PAINT TWIST-STIK PURPLE (12/BOX) |

TWIST STIK



| Part No | Description |
|---------|----------------------------------|
| 635710 | PAINT STIK ORANGE (12/BOX) |
| 635711 | PAINT STIK RED (12/BOX) |
| 635712 | PAINT STIK BLUE (12/BOX) |
| 635714 | PAINT STIK BRIGHT PINK (12/BOX) |
| 635717 | PAINT STIK BRIGHT GREEN (12/BOX) |
| 635713 | PAINT STIK GREEN (12/BOX) |
| 635718 | PAINT STIK PURPLE (12/BOX) |

DO YOU NEED ONE OF OUR OTHER CATALOGS?

SOME OF OUR HOG VENDORS

Authorized distributor of:



PALS
Supplier Of Choice

**EQUIPMENT & TECHNOLOGY
FOR HOG BARN THAT WORK**

3735 1ST AVE W • WILLMAR, MN 56201 • 1-800-328-8842
www.palsusa.com

SOME OF OUR POULTRY VENDORS

Authorized distributor of:



PALS
Supplier Of Choice

**EQUIPMENT & TECILNOLOGY
FOR POULTRY BARN THAT WORK**

3735 1ST AVE W • WILLMAR, MN 56201 • 1-800-328-8842
www.palsusa.com

VISIT OUR WEBSITE AT: www.palsusa.com
to view them online

PALS™

Supplier Of Choice

PALS: Poultry and Livestock Supplies

rx@palsusa.com

Fill your Scripts & VFDs here

1-800-328-8842

fax: (320) 235-8869

OUR ANIMAL HEALTH TEAM

OUTSIDE SALES



Dave Fischbach
320-894-6632

dave.fischbach@palsusa.com



Dale Berkner
320-905-7753

dale.berkner@palsusa.com



Marlin Beliveau
320-212-4815

marlinb@willmarpoultry.com

INSIDE SALES



Randy Young
Feed Ingredient Sales
320-235-8860 Ext 9523
randy.young@palsusa.com



Lee Fader
Water Solubles & Rx Sales
320-235-8860 Ext 9502
lee.fader@palsusa.com

“OUR COUNTER GUYS”



RICK



LOREN



LARRY

Visit us online at: www.palsusa.com

INTRODUCING

The Next Generation in Feed Safety and Animal Efficiency

AMASIL™
Formic Acid
by BASF



TABLE 1

| Strongest Organic Acid | | | |
|------------------------|------|-------|--------|
| ACID | pKa* | g/mol | Mol/kg |
| Formic | 3.75 | 46 | 21.7 |
| Acetic | 4.75 | 60 | 16.7 |
| Propionic | 4.87 | 74 | 13.5 |
| Butyric | 4.82 | 88 | 11.3 |
| Lactic | 3.86 | 90 | 11.1 |
| Benzoic | 4.19 | 122 | 8.2 |
| Ascorbic | 4.10 | 176 | 5.7 |
| Citric | 3.08 | 192 | 5.2 |

*lower pKa = stronger acid

SAFE FEED

AMASIL is a feed acidifier that improves feed hygiene and modifies gut microflora for improved animal performance and reduced Salmonella transmission. Backed by 25 years of university and on-farm research, AMASIL is one of the strongest organic acids with the highest molecular density, allowing it to have a more complete and sustained antimicrobial effect in the feed, water and in the gut.

AMASIL is trusted in poultry diets and drinking water around the world.

**START YOUR TRIAL TODAY.
CONTACT US AT 1-800-780-9233.**

AMASIL NA is FDA approved for feed acidification (21 CFR § 573.696) and GRAS for use in drinking water for poultry and livestock (GRAS statement is available upon request).



BALCHEM
Real People. Real Science. Real Results.



**PROVEN IMPACT AGAINST
MYCOPLASMA HYOPNEUMONIAE.¹**

**LINCOMIX®: NOW APPROVED
AT 100 TO 200 GRAMS PER TON**

LINCOMIX® (*lincomycin*) from Zoetis now has a broader dosage range to provide pork veterinarians and producers with greater flexibility in reducing *M. hyopneumoniae* challenges. See how LINCOMIX — the only Type A Medicated Article approved for the reduction of the severity of the effects of *M. hyopneumoniae* in the U.S. — can improve health and economic outcomes at ZoetisUS.com/LINCOMIX.

CAUTION: Federal law restricts medicated feed containing this veterinary feed directive (VFD) drug to use by or on the order of a licensed veterinarian.

Lincomix®

Division File, Study Report No. AD7C-05-14-00, Zoetis Inc.

All references are the property of Zoetis Services LLC or an affiliated company or a licensee unless otherwise noted.
© 2016 Zoetis Services LLC. All rights reserved. (UK-0002)

zoetis



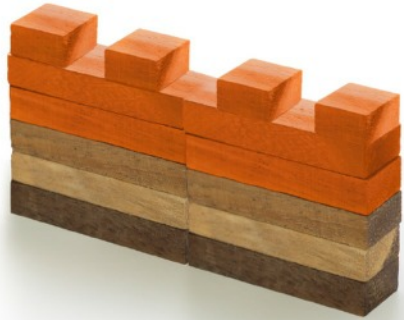
**Threats adapt.
So should your protection.**

Porcine circovirus Type 2 (PCV2) changes rapidly. Be sure your pigs are protected with Fostera® Gold PCV MH, the only vaccine that contains two PCV2 genotypes as well as long-lasting *Mycoplasma hyopneumoniae* coverage. All to help keep your pigs safe from lurking threats. **Get the broadest antigenic and longest-lasting PCV2 coverage available with Fostera Gold PCV MH.**
ThreatsAdapt.com

Proven solutions since 1980 to help you...

FORTIFY YOUR DEFENSE!

For over 35 years, Alltech has promoted animal health and performance. Now that the Veterinary Feed Directive is in effect, the medical use of antibiotics in animal feed has become more restricted. As we continue to reduce the use of antibiotics in the treatment of animals, nutritious feed that serves as a strong support system will become even more vital for your animals.



Alltech®
GUT HEALTH MANAGEMENT

ACTIGEN®, **BIO-MOS®**,
INTEGRAL® A+, **SELECT TC™**

Alltech®
MINERAL MANAGEMENT

BIOPLEX®, **SEL-PLEX®**,
ECONOMASE™

Alltech®
FEED EFFICIENCY

AMAIZE®, **FIBROZYME®**,
OPTIGEN®, **YEA-SACC®**

Strengthen your nutrition for profitable
and sustainable production.

Alltech®

©2017. Alltech, Inc. All Rights Reserved.

PROSPEREO™



A POWERFUL TOOL FOR MANAGING FLOCK HEALTH AND PERFORMANCE

ProsperEO™ is an everyday natural water additive that:

- Stimulates appetite
- Enhances growth
- Strengthens immunity
- Reduces the effects of oxidative stress and viral challenges



POWERED BY PATENT PENDING
 **STRONG ANIMALS™**
TECHNOLOGY
Microfused® Essential Oils
Actifibe® Prebiotic

StrongAnimals.com



A BRAND
OF RALCO

CHORE-TIME

**HERE FOR YOU.
SINCE 1952**



PIGCENTRAL

EFFICIENT

ECONOMICAL

EFFECTIVE

E³

FOCUSED

ON THE

PIGS

FEEDING & VENTILATION SYSTEMS

choretimehog.com

A Division of CTB, Inc., A Berkshire Hathaway Company



PALS
Supplier Of Choice

Let **US** be your Supplier of Choice

www.palsusa.com

1-800-328-8842