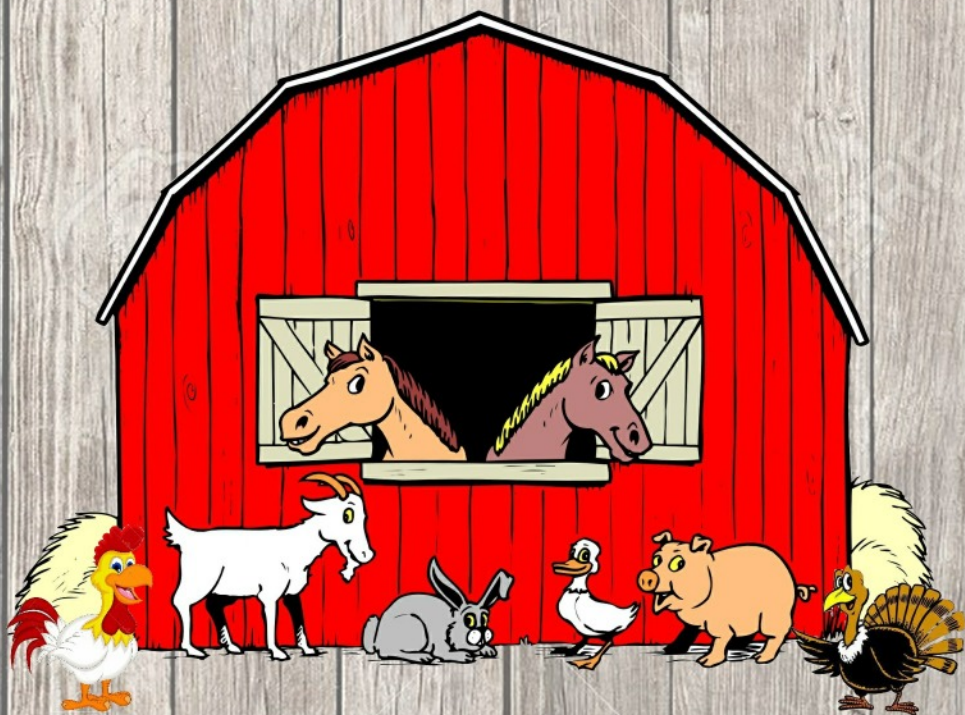


PALS™

Supplier Of Choice

2018 FEED ADDITIVES & MEDICATION PRODUCTS



1-800-328-8842 • www.palsusa.com
3735 West 1st Ave • Willmar, MN 56201

Keep cool and dry up.

Best results with MetAMINO®

Eliminate processing issues – and add new freedoms.

Not only do liquid methionine sources add extra mass, they are also hard to process at low temperatures. Dry MetAMINO® is reliable and stays easy to mix even in winter. To make the very most of MetAMINO®, you can take advantage of our analytical services for feed components. MetAMINO®: not just better – best results.

www.metamino.com





Hy•D®

Rovimix® HyD® Strength to Succeed

When it comes to the challenges facing modern turkey production, even the proven benefits of vitamin D3 are not enough. Bone disorders and related health issues become magnified in production systems that continually push birds to grow bigger and faster, therefore more advanced solutions are necessary. **ROVIMIX® HY-D®**, backed by more than two decades of research and used successfully in the US poultry industry since 1999, provides the level of 25-hydroxyvitamin D3 proven to allow modern breeds to achieve their full genetic potential.

MOTOMCO

**RODENT CONTROL
FOR FARM & RANCH**



JAGUAR[®]

#1 SELLING RODENT BAIT FOR LIVESTOCK PRODUCERS



OUR MOST POWERFUL ANTICOAGULANT BAIT

- Top selling bait to poultry and swine producers
- Excellent for tough infestations and high rodent populations
- Use Jaguar for 4 months as part of a complete Motomco Rotational Program
- Available in 9# and 18# Bait Chunx, Place Pacs, Bulk Pellets and Soft Bait



MOTOMCO

THE WORLD LEADER IN RODENT CONTROL TECHNOLOGY[®]

3699 Kinsman Blvd., Madison, WI 53704 U.S.A. • (800) 418-9242

www.motomco.com

RODENT CONTROL

IS A CRITICAL COMPONENT

OF BIOSECURITY



1

Rats and mice accelerate the spread of at least 35 diseases that plague animal production

2

Left unchecked, rodent populations will expand rapidly, spreading disease to areas and animals

3

Rodents cause damage to facilities, energy loss and feed contamination



More than 75% of producers rely on Motomco's Rodent Control System as part of an integrated Biosecurity program



For more information, contact your Motomco distributor or visit www.motomco.com

MOTOMCO

THE WORLD LEADER IN RODENT CONTROL TECHNOLOGY®

3699 Kinsman Blvd., Madison, WI 53704 U.S.A. • (800) 418-9242

www.motomco.com

Optimize an animal's genetic potential with key amino acids from ADM.



Proper digestible amino acid levels are critical for animal production.

Help meet animals' amino acid requirements while minimizing nutrient deficiencies and overages with ADM amino acids.

www.adm.com/feed

PALS

Supplier Of Choice

An Authorized Distributor of ADM Products



TABLE OF CONTENTS

INJECTABLES.....	1
WATER SOLUBLE.....	5
FEED ADDITIVES.....	13
FEED MEDICATION.....	20
SALT.....	25
INSECTICIDE.....	26
LITTER TREATMENT.....	30
RODENTICIDE.....	31
BIRD REPELLENT.....	34
REGAL.....	35
CHEMILIZER.....	36
STENNER.....	43
DOSATRON.....	47
DIVERSIFIED.....	57
PARTS.....	58
SANITATION.....	60
BOOTS.....	71
INJECTION.....	73
LIVESTOCK MARKERS.....	74

Please call or visit our website, www.palsusa.com,
if you have any questions about other
additives, medications, and parts.

This is just a portion of what we handle.

Thank you!

This Medication Catalog was produced
for you by the enclosed advertisers.



1-800-328-8842

Fax: (320) 235-8869

rx@palsusa.com

Fill your Scripts & VFDs here

INJECTABLES



AE



Part No	Description
---------	-------------

013032	POXINE AE-(PFIZER) 10x1000DS
--------	---------------------------------

013033	CEVA AE-POXINE \ 10X1000DS
--------	-------------------------------

AE



Part No	Description
---------	-------------

013094	AE (MERIAL) TRMOR BLEND \ 25x1000DS
--------	---

ART VAX



Part No	Description
---------	-------------

013250	ART VAX \ 10x1000DS
--------	------------------------

AVI-LUTION

Part No	Description
---------	-------------

013779	AVI-LUTION 1 LB SLEEVE \ PKG
--------	---------------------------------

BLUE DYE

Part No	Description
---------	-------------

013775	BLUE DYE \ 10x30ml (special order)
--------	--

CHOLERA



Part No	Description
---------	-------------

013203	AVIPRO 108 FC4 CHOLERA 1 3 4 X x 4 (.5CC) \ 10x1000 (sp-ordr)
--------	---

013265	CHOLERA M-NINEVAX-C (Multimune M) \ 10x1000DS
--------	---

013198	AVIPRO 108 FC3 CHOLERA 1 3 4 2000ds \ 20x500CC (Special order)
--------	---

DURAMYCIN (Vetrimycin)



Part No	Description
---------	-------------

013553	Rx VETRIMYCIN 200 (LA 200) \ 12x500CC
--------	---

PHONE
800-328-8842

INJECTABLES

ERYBAC



Part No	Description
---------	-------------

013016	ERYBAC FD \ 1000DS (special order)
--------	---------------------------------------

FIRST PULSE



Part No	Description
---------	-------------

013781	FIRST PULS D 250ml \ 12x250ML
013788	FIRST PULSE DRENCH GUN

ERYSIPELAS



Part No	Description
---------	-------------

013151	E R BAC PLUS (ERYSIPELAS) BACTERIN 1000Ds \ 12X500ML
--------	---

GARASOL



Part No	Description
---------	-------------

013144	Rx GARASOL (Gentamycin sulfate) 100 MG /ML \ 12x100ML
--------	---

ESP

Part No	Description
---------	-------------

013423	ESP AQUEOUS 1000DS (no color) \ 500CC BTL
013425	ESP OIL 1000DS (red) 500CC BTL

HE



Part No	Description
---------	-------------

013605	HE ORALVAX \ 5x2000DS
013606	HE ORALVAX \ 5X5000DS
013616	HE AVIAN ADENONUNE II \ 10x5000DS (special order)
013624	HE ARKO \ 1000DS
013626	HE ARKO \ 5000DS

INJECTABLES



HYGIEIA VACCINE

Part No	Description
013060	HYGIEIA AI-REO VACCINE 1000DS BTL H1/H3 REO STRAINS

IRON DEXTRAN



Part No	Description
013375	IRON DEXTRAN 100 \ 12x100CC

MEGA PRO



Part No	Description
013148	MEGA PRO D 250ml \ 6X250ml

MULTIMUNE



Part No	Description
013200	MULTIMUNE K5 TYPES 1 3 4 2(3x4'S) \ 10x1000ds

NEWCASTLE B1 B1



Part No	Description
013505	NEWCASTLE B1 B1 (MERIAL) \ 25x5000DS

NEWCASTLE B1 LASOTA



Part No	Description
013035	NEWCASTLE B1 LASOTA (Pfizer) \ 10x5000DS
013152	NEWCASTLE B1 LASOTA (MERIAL) 25X5,000DS

INJECTABLES

PMV3



Part No	Description
---------	-------------

013496	PMV3 / NDV (.25) \ 20x1000DS
--------	---------------------------------

POULVAC



Part No	Description
---------	-------------

013045	POULVAC ECOLI \ 10x5000DS
--------	------------------------------

01304	POULVAC (SALMONELLA) 5000DS 10PK
-------	-------------------------------------

STABBERS

Part No	Description
---------	-------------

013547	STABBERS (POXINE & M-NINE VAX) \ EACH (special order)
--------	---

SNICK GUARD



Part No	Description
---------	-------------

013266	SNICK GUARD (BORDETELLA AVIUM) 2000 DS (SPECIAL ORDER)
--------	--

TYLAN



Part No	Description
---------	-------------

013457	Rx TYLAN 200 INJ 500 \ 12x500CC (special order)
--------	---

VACCINE STABILIZER



Part No	Description
---------	-------------

013006	VAC-PAC \ 75x4 OZ PKG
--------	-----------------------

013008	VAC-PAC PLUS DYE \ 75x4oz PKG
--------	----------------------------------

013573	STABIL VAC NO DYE \ 25x1 LB /48 / PALLET
--------	---

013010	VAC-PRO-TEC W/ DYE (INI) \ 35x1 LB/
--------	--

WATER SOLUBLE



ACID-MAXX



Part No	Description
---------	-------------

020262	ACID-MAXX 4 WAY 2X \ 50x227 gram/CASE
--------	--

AMPROL



Part No	Description
---------	-------------

020031	AMPROL (CORID) SOL POWDER 128 \ 24x10 OZ (SPECIAL ORDER)
--------	--

ACID-PAC



Part No	Description
---------	-------------

020259	ACID-PAK 4-WAY LIQUID\ 4x1 gal 3(special order)
--------	--

AMPROLIUM



Part No	Description
---------	-------------

020028	(White box) AMPROL 9.6% \ 4x1 GAL
--------	--------------------------------------

ACIDIFIED COPPER



Part No	Description
---------	-------------

020140	ACIDIFIED COPPER PKG \ 40x1 LB
--------	-----------------------------------

AVI-BAC



Part No	Description
---------	-------------

020466	AVI-BAC PLUS \ 10x250 GRAM
--------	-------------------------------

AMMONIA



Part No	Description
---------	-------------

020007	AMMONIA 3% \ 8x64 OZ
--------	----------------------

CORID



Part No	Description
---------	-------------

020025	CORID 9.6% 4X1GAL
--------	-------------------

PHONE
800-328-8842

WATER SOLUBLE

ASPIRIN



Part No	Description
---------	-------------

- | | |
|--------|---|
| 020098 | ASPIRIN (UNI-SOL)
\ 4x1 GALLON |
| 020100 | ASPIRIN (UNI-SOL) 460
GM \ 12x1 LITER |
| 020102 | OralPro Sodium Salicylate
(ASPIRIN) 60% w/ Caf
4x1 Gallon |
| 020112 | ASPIRIN LIQUID (ANAPRIN
LQ-PM) \ 12x32 oz |
| 020159 | ASPIRIN LIQUID (ASPRISOL)
\ 12x1 QUART |

AVI-LYTE



Part No	Description
---------	-------------

- | | |
|--------|------------------------------|
| 020462 | AVI-LYTE FOR
POULTRY \ 50 |
|--------|------------------------------|

BMD



Part No	Description
---------	-------------

- | | |
|--------|----------------------|
| 020926 | BMD SOLUBLE \ 50 x 5 |
|--------|----------------------|

CITRIC ACID



Part No	Description
---------	-------------

- | | |
|--------|---|
| 020238 | CITRIC ACID-410 GM
(INI/AS) \ 30x14.5 OZ |
|--------|---|

ELECTROLYTE



Part No	Description
---------	-------------

- | | |
|--------|---|
| 020176 | ELECTRO-PAK w/ Stabil C
\ 40x1 LB |
| 020177 | ELECTROLYTE PAK
\ 35x1 LB\48 CS/PALLET |
| 020181 | ELECTRO VIT AQS
(ELECTROLYTE PLUS)
/ 50x12.5 OZ |
| 020178 | ELECTROLYTE BULK
\ DRUM 40 LB
(special order) |

EMA-SOL



Part No	Description
---------	-------------

- | | |
|--------|--|
| 020931 | MCA-SOL (EMA-SOL)
\ 4x1 GAL\48 CASES/PALLET |
|--------|--|

WATER SOLUBLE



EQUISUL



Part No	Description
---------	-------------

020003	Rx EQUISUL-SDT Aurora Pharmaceutical 900ml
--------	--

HY-D



Part No	Description
---------	-------------

020152	HY-D SOLUTION \ 12x1 QUART
--------	-------------------------------

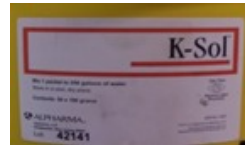
FLORAMAX



Part No	Description
---------	-------------

020400	FLORAMAX B11(20,000 DS) \BOTTLE 140 gram
--------	---

K SOURCE



Part No	Description
---------	-------------

020875	K SOURCE \ 65x188 GM (K-SOL)
--------	---------------------------------

LC ENERGY

Part No	Description
---------	-------------

020871	LC ENERGY 5 LITER JUG \ 4/CASE
--------	-----------------------------------

FLORASTART



Part No	Description
---------	-------------

020407	FLORASTART C 10,000DS
--------	-----------------------

HIGH-D 2X

Part No	Description
---------	-------------

020160	HIGH-D 2X (4000000 IU/OZ) (SPECIAL ORDER)
--------	--

LINCOMYCIN



Part No	Description
---------	-------------

020155	Rx SPEC LINX-LS 50 75 gm \ 12x2.55 OZ
--------	--

020154	Rx LINCOMYCIN SOLUBLE 80GM \ 25x80GM
--------	---

WATER SOLUBLE

LINXMED



Part No	Description
020148	Rx LINXMED SOLUBLE POWDER 80 GM

MANAGE



Part No	Description
020933	MANAGE 1 GALLON 4/CASE
020934	MANAGE 5 GAL \ DRUM
020935	MANAGE 55 GAL \ DRUM

MIN-E-PLEX



Part No	Description
020920	MIN-E-PLEX \4x1 GAL

MUCUSOL



Part No	Description
020927	MUCUSOL 1 GALLON 4/CASE
020932	MUCUSOL 1 LITER BOTTLE 12/CASE (SPECIAL ORDER)

NEOMIX

Part No	Description
020256	Rx NEOMIX / BIOSOL LIQUID 66GM \ 12x1 PINT

NEOMED



Part No	Description
020254	Rx NEOMED 325 50G \ 50x100 GM

OPTIMIZER



Part No	Description
020405	OPTIMIZER II \ 4x1 GAL

WATER SOLUBLE



OXYTET



Part No	Description
---------	-------------

020033	Rx OXYTET 102.4 \ 50x280GM
--------	-------------------------------

020036	Rx OXYTET 512 gram \ 10x1400 GM
--------	------------------------------------

PENICILLIN



Part No	Description
---------	-------------

020290	Rx BOX .5 BILLION BIMEDA PENICILLIN 12/BOX
--------	---

020292	Rx BUCKET .5 BILLION PENICILLIN 25/PAIL
--------	--

020293	Rx 1 BILLION PENICILLIN BUCKET 12/PAIL
--------	---

PALS VITAMIN



Part No	Description
---------	-------------

020322	PALS VITAMIN PACKS + \ 40x8 OZ
--------	-----------------------------------

PARAGON

Part No	Description
---------	-------------

020915	PARAGON VIT AD3 & E 1 QUART (SPECIAL ORDER)
--------	--

PENNCHLOR



Part No	Description
---------	-------------

020017	Rx PENNCHLOR 64 (CTC) 102 GRAM\24x25.6OZ
--------	---

PENNOX 343



Part No	Description
---------	-------------

020042	Rx PENNOX 343 (OXYTET) 512G \ 24x23.9OZ/20 BOXES
--------	---

POULT-VIT



Part No	Description
---------	-------------

020853	POULT-VIT \100x4 OZ (POULT PAK) VITAMINES AND ELECTROLYTE
--------	---

PHONE
800-328-8842

WATER SOLUBLE

PH

Part No	Description
---------	-------------

020416	PH LOW 1 GALLON
--------	-----------------

POULTRY WATER TREATMENT



Part No	Description
---------	-------------

020414	AQUAPHIER (PWT) \ 40x1 LB
--------	------------------------------

020415	POULTRY WATER TREATMENT BULK (PWT) \ DRUM 40 LBS
--------	--

POWER SWEET



Part No	Description
---------	-------------

020350	POWER SWEET SOLUBLE 50x1lb pkg
--------	-----------------------------------

PROHIBIT



Part No	Description
---------	-------------

020436	LEVASOLE (PROHIBIT)
--------	---------------------

PROSPER LIQUID



Part No	Description
---------	-------------

020480	PROSPER (MICROFUSED) EO LIQUID 1 GALLON
--------	--

REGANO



Part No	Description
---------	-------------

020473	REGANO LIQUID EX \ 4x1 GALLON
--------	----------------------------------

REGANO



Part No	Description
---------	-------------

020472	REGANO LIQUID 4X \ 4x1 QT BOTTLE
--------	-------------------------------------

SAFEGUARD



Part No	Description
---------	-------------

020526	SAFEGUARD AQUASOL GALLON (fenbendazole)
--------	--

WATER SOLUBLE



SKIN JOY



Part No	Description
---------	-------------

020166	SKIN JOY 16.9OZ
--------	-----------------

TETROXY



Part No	Description
---------	-------------

020046	Rx TETROXY 512 \ 10x1400GM
--------	----------------------------

SULFA TRIM



Part No	Description
---------	-------------

020008	Rx SULFA TRIM (SMZ/ TRIMETHOPRIM) 12X1 PINT (SPECIAL ORDER)
--------	---

UDDERSOL



Part No	Description
---------	-------------

020161	UDDERSOL OMRI 8X32OZ (SPECIAL ORDER)
--------	---

SULFOROL



Part No	Description
---------	-------------

02005	Rx SULFADIMETHOXINE (SULFOROL) \4x1 GAL (ALBON)
-------	---

VALBAZEN



Part No	Description
---------	-------------

020457	Rx VALBAZEN (albendazole) 11.36% 5 LITTER btl
020452	Rx VALBAZEN (albendazole) 11.36% \ 4x1 LITTER BTL

WATER SOLUBLE

VINEGAR DRY CIDER



Part No	Description
---------	-------------

020261	VINEGAR DRY CIDER \50x8OZ PKG (VIN-A-MAX)
020263	VINEGAR DRY CIDER 50x8OZ PKG (BVS)

VITEC



Part No	Description
---------	-------------

020464	VITEC POULTRY \4x1 GAL
--------	------------------------

VITAMIN C



Part No	Description
---------	-------------

020866	VITAMIN C STABILIZED (case only) \ 50x219GM
--------	--

WAZINE



Part No	Description
---------	-------------

020315	WAZINE 34 \ 4x1 GAL
020316	WAZINE 34 \ 5 GAL PAIL

VITAMIN E



Part No	Description
---------	-------------

020151	VITAMIN E \ 12x32OZ
--------	---------------------

ZINPRO



Part No	Description
---------	-------------

020302	ZINPRO 180 (zinc methionine complex) \ 50X6.67oz pkg
--------	--

FEED ADDITIVES



ACTIGEN



Part No	Description
009910	ACTIGEN 55.1 LB BAG

AVAILA-ZN



Part No	Description
009027	AVAILA-ZN 120 55.1LB BAG (SPECIAL ORDER)

ALLYZME



Part No	Description
009718	ADI-FLOW DRY 1000KG 2204LB TOTE (SP. ORDER)

BIOLYS



Part No	Description
009920	BIOLYS 25 Kg 55.1 LB BAG
009921	BIOLYS 1000 KG 2204 LB TOTE

ALLYZME



Part No	Description
009425	ALLYZME SSF (special order) 55.1 LB BAG

BIO-MOS



Part No	Description
009420	BIO-MOS 55.1 LB BAG

BIOSUPREME LIQUID

Part No	Description
009131	BIOSUPREME LIQUID 2.5 GL JUG

PHONE
800-328-8842

FEED ADDITIVES

BIRTHRIGHT



Part No	Description
---------	-------------

009751	BIRTHRIGHT MILK REPLACER
--------	--------------------------

009699	BIRTHRIGHT BRIDGE CREEP FEED 25LB BAG
--------	---------------------------------------

009752	BIRTHRIGHT NAP 25LB BAG (SP. ORDER)
--------	-------------------------------------

CHOLINE CHLORIDE LIQUID



Part No	Description
---------	-------------

009888	CHOLINE CHLORIDE LIQUID 70% 2500LB TOTE
--------	---

CHOLINE CHLORIDE



Part No	Description
---------	-------------

009890	CHOLINE CHLORIDE BALCHEM 60% (53% CHOLINE) 55.1LB BAG
--------	---

009886	CHOLINE CHLORIDE 60% (52% CHOLINE) TOTE 2204LBS (SPECIAL ORDER)
--------	---

CITRIC ACID



Part No	Description
---------	-------------

009246	CITRIC ACID 50LB BAG
--------	----------------------

COPPER SULFATE



Part No	Description
---------	-------------

009148	COPPER SULFATE 2000LB TOTE
--------	----------------------------

009150	COPPER SULFATE 50LB BAG
--------	-------------------------

009152	COPPER SULFATE 2204 LB TOTE
--------	-----------------------------

DIAMOND V XPC



Part No	Description
---------	-------------

009421	DIAMOND V XPC YEAST 50LB BAG
--------	------------------------------

009426	DIAMOND V AO (ASPERGILLUS ORYZAE) 50 LB BAG (SPEC. ORDER)
--------	---

FEED ADDITIVES



DICAL



Part No	Description
---------	-------------

009302	DICAL 18.5% 50LB BAG
--------	----------------------

FSE VITAMIN



Part No	Description
---------	-------------

009760	FSE VITAMIN PMX #141 50 LB BAG
--------	-----------------------------------

EARLY BIRD

Part No	Description
---------	-------------

009305	QUICK START (EARLY BIRD SUPPLEMENT) 15 LB PAIL
--------	---

ENDOX



Part No	Description
---------	-------------

009412	STOP-OX (ENDOX) 55.1 LB BAG
--------	--------------------------------

FSE MINERAL



Part No	Description
---------	-------------

009748	FSE TRACE MINERAL PLUS #125 50LB BAG (brown bag)
--------	---

FSE ENZYME

Part No	Description
---------	-------------

009764	FSE ENZYME PACK 1852 55.1 LB BAG (special order)
--------	---

GRIT



Part No	Description
---------	-------------

009209	GRIT #1 50 LB BAG 1/16"
009210	GRIT #2 50 LB BAG 3/16"
009211	GRIT #3 50 LB BAG 5/16"
009212	GRIT #4 50 LB BAG 3/8"

HEMICELL

Part No	Description
---------	-------------

009729	HEMICELL-HT 1.5x25 Kg 55.1 LB BAG
--------	--------------------------------------

FEED ADDITIVES

HORSE RELIEF



Part No	Description
009703	RALCO HORSE RELIEF 50 LB BAG

HY-D



Part No	Description
009909	HY-D 83.3 MG/LB 55.1LB BAG
009913	HY-D 83.3 MG/LB (special order) 1000KG 2204 LB TOTE

INTEGRAL A+



Part No	Description
009701	INTEGRAL A+ 25 kg 55.1 LB BAG

INTEGRAFLO

Part No	Description
009704	INTEGRAFLO 50 LB BAG

INTEGRAMOS



Part No	Description
009418	INTEGRAMOS 55.1 LB BAG (SPECIAL ORDER)

LYSINE



Part No	Description
009901	LYSINE ADM 98.5% 25 KG 55.1 LB BAG
009902	LYSINE ADM 98.5% 1000 KG 2204 LB TOTE

MAGNESIUM OXIDE

Part No	Description
009017	MAGNESIUM OXIDE 58% 50LB BAG

FEED ADDITIVES



METHIONINE



Part No	Description
---------	-------------

- | | |
|--------|---|
| 009801 | METHIONINE 99%
EVONIK 25 Kg 55.1 LB BAG |
| 009802 | METHIONINE 99% EVONIK
1000 Kg 2204 LB TOTE |

MONOCAL



Part No	Description
---------	-------------

- | | |
|--------|---|
| 009306 | MONOCAL (DICAL)
(BioPhos) 21% 50 LB BAG |
| 009308 | MONOCAL (DICAL)
(BioPhos) 21% 2000 LB TOTE |

PHYTASE



Part No	Description
---------	-------------

- | | |
|--------|--|
| 009610 | PHYTASE (RONOZYME
/ PHYZYME) 1200 50 LB BAG |
|--------|--|

FIGHT STRONG



Part No	Description
---------	-------------

- | | |
|--------|--|
| 009636 | RALCO FIGHT STRONG FOR
CATTLE PELLET 50LB BAG |
|--------|--|

REGANO

Part No	Description
---------	-------------

- | | |
|--------|-------------------------|
| 009707 | REGANO EX \ 2x25 LB BOX |
|--------|-------------------------|

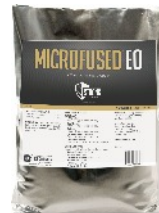
STAY STRONG



Part No	Description
---------	-------------

- | | |
|--------|---|
| 009698 | RALCO STAY STRONG for
DAIRY COWS 50 LB |
|--------|---|

PROSPER EO



Part No	Description
---------	-------------

- | | |
|-------|---|
| 00662 | RALCO STRONG PROSPER
(MICROFUSED) EO DRY
35LB BAG |
|-------|---|

PHONE
800-328-8842

FEED ADDITIVES

SALT MIXING



Part No	Description
009202	SALT MIXING-TOP FLOW BAGS 50 LB BAG

SHELL & BONE



Part No	Description
009298	SHELL & BONE/CAGE CAL (LIMESTONE) 50 LB BAG

SODIUM BENTONITE



Part No	Description
009710	VOLCLAY / SODIUM BENTONITE 50 LB BAG

SODIUM BICARBONATE



Part No	Description
009804	SODIUM BICARBONATE ARM & HAMMER 2000 LB TOTE
009799	SODIUM BICARBONATE 50 LB BAG

METHIONINE



Part No	Description
009822	METHIONE 99% SUMITOMO TOTE 1000 KG 2204.6 LB
009821	METHIONINE 99% SUMITOMO 25 KG 55.1 LB BAG

THREONINE



Part No	Description
009850	THREONINE AJINOMOTO 25 KG 55.1 LB BAG (special order)
009851	THREONINE AJINOMOTO 1000 KG 2204 LB TOTE (sp. order)

FEED ADDITIVES



THREONINE



Part No	Description
009840	L THREONINE ADM 25 Kg 55.1 LB BAG
009852	L THREONINE ADM 1000 Kg 2204 LB TOTE

UNICAL



Part No	Description
009007	UNICAL M PURECAL (LIMESTONE) 50 LB BAG

TRYPTOPHAN

Part No	Description
009741	TRYPTOPHAN 22 LB BAG
009008	TRYPTOPHAN 44 LB

VITAMIN E



Part No	Description
009855	VITAMIN E 20,000 UNIT / LB 50 LB BAG

FEED MEDICATION

AMPROLIUM



Part No	Description
---------	-------------

005521	AMPROLIUM (POULTRY) 2.5% TYPE B 50 LB BAG (SPECIAL ORDER)
--------	---

AUREOMYCIN



Part No	Description
---------	-------------

005589	VFD AUREOMYCIN 100 (CTC) GRANULAR 50 LB BAG
005001	VFD AUREOMYCIN 50 GRANULAR (CTC) 50 LB BAG
005012	VFD AUREOMYCIN 100 (CTC) TOTE 2000LB (special order)

AVATEC



Part No	Description
---------	-------------

005795	AVATEC 50 LB BAG
--------	------------------

BACITRACIN 50



Part No	Description
---------	-------------

005567	BACITRACIN BMD 50 50 LB BAG
--------	--------------------------------

BANMINTH

Part No	Description
---------	-------------

005603	BANMINTH 4.8 DEWORMER TYPE B 40 LB BAG (SPECIAL ORDER)
--------	--

BEEF COX



Part No	Description
---------	-------------

005050	BEEF COX/ COCCI CURB 10X DECCOX .5% TYPE B 50 LB (special order)
--------	--

FEED MEDICATION



CLINACOX



Part No Description

005830 CLINACOX 50 LB BAG

DENAGARD



Part No Description

005820 DENAGARD 10 GM
35 LB BAG

COBAN



Part No Description

005806 COBAN 90 BAGS 55.1 LB

FLAVOMYCIN



Part No Description

005360 FLAVOMYCIN 4 GRAM
50 LB BAG

DECCOX



Part No Description

005013 DECCOX 50 LB BAG

LINCOMIX



Part No Description

005920 VFD LINCOMIX
20 GM 50 LB BAG

FEED MEDICATION

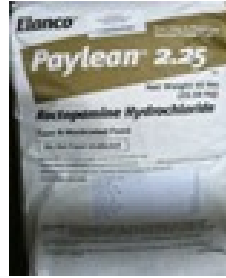
MECADOX



Part No	Description
---------	-------------

005779	MECADOX 2.5 TYPE B 40 LB BAG
--------	---------------------------------

PAYLEAN



Part No	Description
---------	-------------

005751	PAYLEAN 2.25 50LB BAG
005750	(RACTOPAMINE PAYLEAN 9 25LB BAG

MGA 200



Part No	Description
---------	-------------

005017	MGA 200 PREMIX 50 LB BAG
--------	-----------------------------

PENNCHLOR



Part No	Description
---------	-------------

005583	VFD PENNCHLOR G (CTC) 100 GRANULAR (Dark Green) 50 LB BAG
005586	VFD PENNCHLOR (CTC) 50 MEAL (Dark Green 50LB)
005588	VFD PENNCHLOR 50 (CTC) GRANULAR (Lime Green) 50 LB BAG
005592	VFD PENNCHLOR S 10/10 (DARK PINK 50LB BAG)

NEO-OTC



Part No	Description
---------	-------------

005781	VFD PENN NEO-OTC 10-10 TYPE B 50 LB BAG
--------	--

FEED MEDICATION



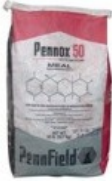
RUMENSIN 90



Part No	Description
---------	-------------

005008	RUMENSIN 90 55.1LB BAG (special order)
--------	---

PENNOX



Part No	Description
---------	-------------

005595	VFD PENNOX (OTC) 50 (REDDISH ORANGE 50 LB BAG)
--------	--

PULMOTIL



Part No	Description
---------	-------------

005742	VFD PULMOTIL 18.1 VFD TYPE B 50 LB BAG
--------	---

SAFEGUARD



Part No	Description
---------	-------------

005132	SAFEGUARD (FENBENDAZOLE) 1.96% TYPE B BAG 50 LB
005134	SAFE-GUARD 20% (90 GRAMS) 25 LB BAG (Special order)

TERRAMYCIN



Part No	Description
---------	-------------

005605	VFD TERRAMYCIN 50 (special order) 50 LB BAG
--------	--

FEED MEDICATION

TYLAN



Part No	Description
005030	VFD TYLAN 40 50LB BAG
005031	VFD TYLAN 10 TYPE B 50LB BAG

ZOAMIX



Part No	Description
005003	ZOAMIX 50LB BAG

SALT



Part No	Description
060050	SALT QUICK MELT CALCIUM CHLORIDE 50LB



Part No	Description
060072	SALT SOLAR SOFTENER SALT 40LB BAG



Part No	Description
060051	SALT QUICK MELT CALCIUM CHLORIDE 40 LB PAIL

PHONE
800-328-8842

INSECTICIDE

ANNIHILATOR



Part No	Description
---------	-------------

045446	ANNIHILATOR POLYZONE 1 PINT 16/CASE
--------	--

BORIC ACID



Part No	Description
---------	-------------

045431	BORIC ACID GRANULAR 50LB BAG
--------	---------------------------------

BETLE SHIELD



Part No	Description
---------	-------------

045445	BETLE SHIELD (RABON) 6% DUST / BAG 10LB
--------	--

DELTAGARD



Part No	Description
---------	-------------

045214	DELTAGARD 16OZ (SPECIAL ORDER)
--------	-----------------------------------

BP-100



Part No	Description
---------	-------------

045204	BP-100 \ 4x1 GAL (SPECIAL ORDER)
--------	-------------------------------------

DURASHIELD



Part No	Description
---------	-------------

045415	DURASHIELD CS \ 4x12OZ BOTTLE (special order) (license required)
--------	--

INSECTICIDE



ELECTOR PSP



Part No	Description
045449	ELECTOR PSP \ 24 8OZ BOTTLE/CASE

FLY RIBBON



Part No	Description
045116	LURE FLY RIBBON 100/BOX

EXILE CS



Part No	Description
045003	EXILE CS PREMISE SPRAY 8OZ (SPECIAL ORDER)

GOLDEN MALRIN



Part No	Description
045005	GOLDEN MALRIN \ 6x5 LB
045010	GOLDEN MALRIN \ 4x10 LB

EXILE DB



Part No	Description
045435	EXIDE DB INSECTICIDE \ 8x30OZ BOTTLE (like Credo D)

MALATHION



Part No	Description
045210	MALATHION LIQ 57% \ 2x2.5 GAL (SPECIAL ORDER)

INSECTICIDE

NEPOREX



Part No	Description
---------	-------------

045419	NEPOREX (CYROMAZINE) \ BAG 4x11 LB
--------	---------------------------------------

PERMETHRIN



Part No	Description
---------	-------------

045205	PERMETHRIN SFR \ 4x1 GAL (special order)
--------	---

045500	PERMETHRIN 10% (WJC) 12x 32 OZ
--------	-----------------------------------

PRO ZAP STRIPS



Part No	Description
---------	-------------

045117	PRO ZAP INSECT GUARD STRIPS \ 12/CASE (special order)
--------	--

PRO ZAP FOGGER



Part No	Description
---------	-------------

045504	PROZAP LD44Z FARM INSECT FOGGER 20OZ
--------	---

PT FLY BAIT



Part No	Description
---------	-------------

045023	PT ALPINE PRESSURIZED FLY BAIT 6/CASE
--------	--

RABON



Part No	Description
---------	-------------

045425	RABON 50% WP \ 6x4 LB
--------	-----------------------

RAVAP

Part No	Description
---------	-------------

045447	RAVAP 4 X 1 GALLON (SPECIAL ORDER)
--------	---------------------------------------

INSECTICIDE



QUICK STRIKE



Part No	Description
---------	-------------

045025	QUICKSTRIKE FLY SCATTER BAIT 5LB
--------	-------------------------------------

045026	QUICKSTRIKE FLY SCATTER BAIT 40 LB
--------	---------------------------------------

045115	FLY STRIP QUICKSTRIKE \ 12x2 PKG/CASE
--------	--

QUICKBAYT



Part No	Description
---------	-------------

045022	QUICKBAYT \ 35 LB PAIL
--------	------------------------

045020	QUICKBAYT \ 4x5 LB
--------	--------------------

QUICKBAYT



Part No	Description
---------	-------------

045024	QUICKBAYT SPOT SPRAY \ 6X16 oz pail
--------	--

STRYKER



Part No	Description
---------	-------------

045004	STRYKER 1 PINT
--------	----------------

TEMPO



Part No	Description
---------	-------------

045424	TEMPO DUST 1% \ 4x10LB BAG
--------	-------------------------------

045426	TEMPO 20% WP \ 6x420 GM JAR/CS
--------	-----------------------------------

045426	TEMPO SC ULTRA \ 12x240 ML/CS
--------	----------------------------------

ZETAGARD



Part No	Description
---------	-------------

045011	ZETAGARD 25LB BAG
--------	-------------------

PHONE
800-328-8842

LITTER TREATMENT

MICROTREAT P



Part No	Description
045413	MICROTREAT P \ 10x500 GRAM PKG

POULTRY LITTER TREATMENT



Part No	Description
045414	POULTRY LITTER TREATMENT PLT 50LB BAG

POULTRY GUARD



Part No	Description
045558	POULTRY GUARD \ BAG 50 LB

KLASP LITTER TREATMENT



Part No	Description
045700	KLASP LITTER TREATMENT 50 LB BAG

RODENTICIDE



BOOTHILL



Part No	Description
---------	-------------

045443	BOOTHILL MINI BLOCK 1 OZ \ 4x10 LB PAIL/CASE (SPECIAL ORDER)
--------	--

DI-KILL



Part No	Description
---------	-------------

045212	DI-KILL BLOCKS \ 18 LB PAIL
--------	--------------------------------

CANNON



Part No	Description
---------	-------------

045277	CANNON SOFT BAIT 4 X 4 LB CASE
--------	-----------------------------------

FASTDRAW



Part No	Description
---------	-------------

045407	FASTDRAW SOFT BAIT 16 LB PAIL (special order)
--------	--

CYKILL



Part No	Description
---------	-------------

045540	CYKILL BLOCKS 9 LB \ 4x9LB PAIL
--------	------------------------------------

GUNSLINGER



Part No	Description
---------	-------------

045464	GUNSLINGER MINI BLOCK \ 4 PAILS/CASE (Special order)
--------	--

RODENTICIDE

HAVOC



Part No	Description
---------	-------------

045403	HAVOC XT BLOCK \ 10 LB PAIL
--------	--------------------------------

JAGUAR



Part No	Description
---------	-------------

045352	JAGUAR SOFT BAIG 16LB
--------	-----------------------

HAWK



Part No	Description
---------	-------------

045370	HAWK PELLETS 1.5OZ \ 2x86 PKG/CASE
--------	---------------------------------------

045381	HAWK CHUNX \ 4x18 LB PAIL/CASE
--------	-----------------------------------

MOLE AND GOPHER



Part No	Description
---------	-------------

045392	MOLE AND GOPHER BAIT / 12x1 LB JAR/CASE
--------	--

JAGUAR



Part No	Description
---------	-------------

045350	JAGUAR \ 4x18 LB PAIL/CASE
--------	----------------------------

045385	JAGUAR BULK PELLET \ 12 LB PAIL
--------	------------------------------------

045351	JAGUAR PLACE PACKS 16.5LB (SPECIAL ORDER)
--------	--

RAMPAGE



Part No	Description
---------	-------------

045279	RAMPAGE 15 GM \ 121 pkg/pail 2 PAIL/CASE
--------	---

045280	RAMPAGE CHUNX 15 GM \ 4x4 LB PAIL/CASE
--------	---

045282	RAMPAGE CHUNX 15 GM \ 4x9 LG PAIL/CASE
--------	---

RODENTICIDE



REVOLVER



Part No Description

045451 REVOLVER SOFT BAIT 16LB
(SPECIAL ORDER)

TOMCAT LIQUID



Part No Description

045391 TOMCAT LIQUID RAT BAIT
\ 8/BOX (special order)

TOMCAT



Part No Description

045390 TOMCAT GLUE BOARD
RAT \ 12x2 PKG/CASE

TOMCAT TRAPS



Part No Description

045437 BAIT STATION (HEAVY
DUTY) \ 6 PER CS
045388 TOMCAT MOUSE TRAPS
2 PAK \ 18 PAK/CASE

TOMCAT BAIT STATION



Part No Description

045439 BAIT STATION (Top loader
bLack plastic) 6/CASE
045387 TOMCAT KEYLESS MOUSE
BAIT STATION \ 12/CASE
045440 BAIT STATION BULLET
\ 6 PER CS
045441 BAIT STATION VERTICAL
\ 6 PER CASE

TIN CAT



Part No Description

045438 TIN CAT MOUSE TRAP

PHONE
800-328-8842

BIRD REPELLENT

BD 135



Part No	Description
----------------	--------------------

045520	BD 135 BLOCK POUCH BIRD REPELLENT (SPECIAL ORDER)
045522	BD 135 GRANULE POUCH BIRD REPELLENT (SPECIAL ORDER)
045524	BD 135 GRANULE POUCH 25 LB BIRD REPELLENT (SPECIAL ORDER)
045525	BD 135 BLOCK POUCH BIRD REPELLENT 6PK (SPECIAL ORDER)



Protected with Safe-Guard® AquaSol.

Now approved for laying hens, Safe-Guard® AquaSol helps you optimize treatment of poultry intestinal worms (*Ascaridia galli* and *Heterakis Gallinarum*) with an innovative, uniform, and farm-friendly drinking water formulation. With zero-day egg withdrawal, you can now avoid the risk of worms infecting your birds with easy, effective Safe-Guard® AquaSol.

Trust the Pros at Merck Animal Health.

safe-guard® AquaSol (fenbendazole oral suspension)

No withdrawal period is required when used according to the label. Consult your veterinarian for assistance in the diagnosis, treatment and control of parasitism.

THE SCIENCE OF HEALTHIER ANIMALS.

© 2018 Intervet Inc. doing business as Merck Animal Health, a subsidiary of Merck & Co., Inc. All rights reserved.



MERCK
Animal Health



Healthy profits start from within

Good intestinal health is key to maximizing uniformity, productivity and profitability in your operation. New **Safe-Guard® AquaSol** helps you optimize treatment of poultry gastrointestinal worms with an innovative, farm-friendly drinking water formulation.

- Smaller particle size helps prevent sedimentation and clogged pipes, filters and nipple drinkers
- No pre-slaughter withdrawal

safe-guard® AquaSol
(fenbendazole oral suspension)

No withdrawal period is required when used according to the label. Consult your veterinarian for assistance in the diagnosis, treatment and control of parasitism.

THE SCIENCE OF HEALTHIER ANIMALS.

© 2018 Intervet Inc. doing business as Merck Animal Health, a subsidiary of Merck & Co., Inc. All rights reserved.



REGAL



WE ARE DISCONTINUING REGAL THESE ARE THE PARTS THAT WE HAVE ON HAND

REPAIRS



Part No	Description
---------	-------------

097302	REGAL NOZZLE 5A
097315	REGAL 3/8" O.D. VAC TUBE 1/4" I.D.
097352	REGAL INLET FILTER UP TO 250 PPD

PARTS


Part No	Description
---------	-------------

097301	REGAL REPAIR KIT FOR VAC REG
097303	REGAL SPAR PARTS KIT
097304	REGAL CHECK VALVE STAT O-RING
097305	REGAL 3/8" VACUUM TUBE FITTING W/ CAP
097310	REGAL DIAPHRAGM (A-300 ASSMB.)
097311	REGAL DIAPHRAGM BOLT
097312	REGAL RATE VALVE STEM SEAL / A-300 CHECK VALVE SEAL
097313	REGAL DIAPHRAGM NUT (A-300 ASSMB.)
097317	REGAL LEAD GASKET
097322	REGAL NOZZLE 17A


Visit our website www.palsusa.com
for more product!

CHEMILIZER PARTS - PUMP - FIXED

Fixed Chemical Pumps	
FG9209-V	1:128 Pump Viton Assembly
FG9210-V	1:100 Pump Viton Assembly
FG9211-V	2:100 Pump Viton Assembly
FG9220-V	2:128 Pump Viton Assembly
FG9222-V	1:250 Pump Viton Assembly
FG9225-V	1:500 Pump Viton Assembly
FG9309	1:128 Pump Silicone Assembly
FG9310	1:100 Pump Silicone Assembly
FG9311	2:100 Pump Silicone Assembly
FG9320	2:128 Pump Silicone Assembly
FG9322	1:250 Pump Silicone Assembly




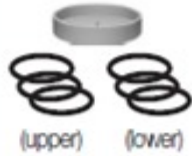


Pump Rebuild Kits	
FG9409-V	1:128 Pump Rebuild Viton Kit
FG9410-V	1:100 Pump Rebuild Viton Kit
FG9411-V	2:100 Pump Rebuild Viton Kit
FG9420-V	2:128 Pump Rebuild Viton Kit
FG9422-V	1:250 Pump Rebuild Viton Kit
FG9425-V	1:500 Pump Rebuild Viton Kit
FG9509	1:128 Pump Rebuild Silicone Kit
FG9510	1:100 Pump Rebuild Silicone Kit
FG9511	2:100 Pump Rebuild Silicone Kit
FG9520	2:128 Pump Rebuild Silicone Kit
FG9522	1:250 Pump Rebuild Silicone Kit



Note: All pump rebuild kits come with stem, check valve and housing o-rings.






CHEMILIZER PARTS - PUMP - FIXED

Fixed Chemical Pump Stems		
FG9009	1:128 Pump Stem Viton	
FG9010	1:100 Pump Stem Viton	
FG9011	2:100 Pump Stem Viton	
FG9020	2:128 Pump Stem Viton	
FG9022	1:250 Pump Stem Viton	
FG9025	1:500 Pump Stem Viton	
FG9109	1:128 Pump Stem Silicone	
FG9110	1:100 Pump Stem Silicone	
FG9111	2:100 Pump Stem Silicone	
FG9120	2:128 Pump Stem Silicone	
FG9122	1:250 Pump Stem Silicone	

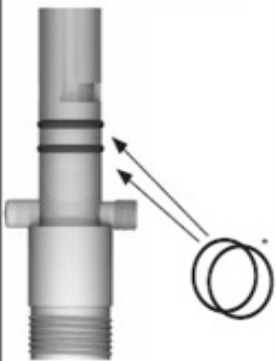
O-ring Kits		
FG9910	1% Viton Repair Kit	 <p>(upper) (lower)</p>
FG9911	1% Silicone Repair Kit	
FG9912	2% Viton Repair Kit	
FG9913	2% Silicone Repair Kit	
FG15104	Check Valve 2% - Silicone	
FG15504	Check Valve 2% - Viton	
FG15204	Check Valve 1% - Silicone	
FG15404	Check Valve 1% - Viton	

Note: All o-ring kits come with 3 upper and 3 lower o-rings and a check valve.

CHEMILIZER PARTS - PUMP - FIXED

Fixed Pump Housing		
FG9936	1% Silicone Pump Cap Assembly*	
FG9936-V	1% Viton Pump Cap Assembly*	
FG9937	2% Silicone Pump Cap Assembly*	
FG9937-V	2% Viton Pump Cap Assembly*	
003921	Filter PVC Assembly	
10095071	Sleeve 1%	
10095072	Sleeve 2%	

* Includes check valve

Fixed Pump Housing		
10095065*	<p>Pump Housing O-rings 117 Viton Pump Housing</p> <p><i>Fits 1% or 2% Pumps</i></p> <ul style="list-style-type: none"> • 1%=1:100, 1:128, 1:250 & 1:500 ratios • 2%=2:100 & 2:128 ratios 	










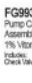

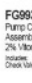






* Universal o-rings

CHEMILIZER



REPAIRS

Chemical Pump Parts

Chemical Pumps		Pump Stems	
	FG9209-V 1:128 Pump Viton Assembly		FG9009 1:128 Pump Stem Viton
	FG9210-V 1:100 Pump Viton Assembly		FG9010 1:100 Pump Stem Viton
	FG9211-V 2:100 Pump Viton Assembly		FG9011 2:100 Pump Stem Viton
	FG9220-V 2:128 Pump Viton Assembly		FG9020 2:128 Pump Stem Viton
	FG9221-V 1:250 Pump Viton Assembly		FG9022 1:250 Pump Stem Viton
	FG9225-V 1:500 Pump Viton Assembly		FG9025 1:500 Pump Stem Viton
	FG9309 1:128 Pump Silicone Assembly		FG9109 1:128 Pump Stem Silicone
	FG9310 1:100 Pump Silicone Assembly		FG9110 1:100 Pump Stem Silicone
	FG9311 2:100 Pump Silicone Assembly		FG9111 2:100 Pump Stem Silicone
	FG9320 2:128 Pump Silicone Assembly		FG9120 2:128 Pump Stem Silicone
	FG9322 1:250 Pump Silicone Assembly		FG9122 1:250 Pump Stem Silicone
Pump Rebuild Kits All Pump Rebuild Kits Come with Stem, Check Valve and Heating O-Rings			
	FG9409-V 1:128 Pump Rebuild Viton Kit		FG9509 1:128 Pump Rebuild Silicone Kit
	FG9410-V 1:100 Pump Rebuild Viton Kit		FG9510 1:100 Pump Rebuild Silicone Kit
	FG9411-V 2:100 Pump Rebuild Viton Kit		FG9511 2:100 Pump Rebuild Silicone Kit
	FG9426-V 2:128 Pump Rebuild Viton Kit		FG9520 2:128 Pump Rebuild Silicone Kit
	FG9425-V 1:500 Pump Rebuild Viton Kit		FG9522 1:250 Pump Rebuild Silicone Kit
	F15104 Check Valve 2% - Silicone		F15204 Check Valve 1% - Silicone
	F15504 Check Valve 2% - Viton		F15404 Check Valve 1% - Viton
	FG9936 Pump Cap Assembly 1% Silicone Includes: Check Valve		FG9936-V Pump Cap Assembly 2% Viton Includes: Check Valve
	FG9937 Pump Cap Assembly 2% Silicone Includes: Check Valve		FG9937-V Pump Cap Assembly 2% Viton Includes: Check Valve
Pump Housing O-Rings			
F12234* 1" Viton Pump Housing Fits 1% or 2% Pumps (1" = 1:100, 1:128, 1:250 & 1:500 rates 2" = 2:100 & 2:128 rates)			
*Universal O-rings			
	FG5031 Filter PVC Assembly		F14010 Sleeve 1%
	F14011 Sleeve 2%		FG5032 Suction Hose Assembly
	F13025 PE Tube (sold by inch)		F24150 1/4" Clamp for Suction Hose



Part No	Description
---------	-------------

098244	CHEMILIZER PUMP CAP VITON ASSY 1% FG9936
098246	CHEMILIZER PVC FILTER ASSY FG5031
098247	CHEMILIZER MOTOR REBUILD KIT FG5001
098248	CHEMILIZER CHEMICAL HOSE ASSY FG9927
098249	CHEMILIZER SLEEVE KYNAR
098250	CHEMILIZER DIAPHRAM ASSY FG5003
098230	CHEMILIZER CHEMICAL PUMP 1:128 VITON
098235	CHEMILIZER TENSION BAND (OLD# F12232)
098240	CHEMILIZER VITON O-RING DISC KIT 1% OR910
098241	CHEMILIZER CHECKVALVE 1% VITON F15404
098242	CHEMILIZER PUMP KIT 1:128 VITON OR9409-V (Blue)
098245	CHEMILIZER SLEEVE CERAMIC

CHEMILIZER

SS NUT



Part No	Description
---------	-------------

098266	CHEMILIZER SS NUT 10-32 F21015
--------	-----------------------------------

SS SCREW



Part No	Description
---------	-------------

098265	CHEMILIZER SS SCREW 10-32 F22005
--------	-------------------------------------

PRODUCT HN55



Part No	Description
---------	-------------

098200	CHEMILIZER HN55 MEDICATOR
--------	------------------------------

PIVOT ARM



Part No	Description
---------	-------------

098254	CHEMILIZER PIVOT ARM ASSY FG042
--------	------------------------------------

BY-PASS



Part No	Description
---------	-------------

098258	CHEMILIZER BY-PASS ASSY FG8017
--------	-----------------------------------

I/O VALVE



Part No	Description
---------	-------------

098259	CHEMILIZER I/O VALVE ASSY FG5040
--------	-------------------------------------

RETAINING CLIP

Part No	Description
---------	-------------

098255	CHEMILIZER RETAINING CLIP F24060
--------	-------------------------------------

CHEMILIZER



MOTOR PISTON



Part No	Description
098257	CHEMILIZER MOTOR PISTON CUP F33006

TWIST AIR VENT



Part No	Description
098261	CHEMILIZER TWIST AIR VENT ASSY FG8023

BOTTOM BODY

Part No	Description
098263	CHEMILIZER MAIN BOTTOM BODY ASSY FG8015

INLET TEE

Part No	Description
098252	CHEMILIZER INLET TEE ASSY FG8019

PUMP KIT



Part No	Description
098236	CHEMILIZER PUMP KIT 1:128 SILICONE FG9509

OUTLET TEE



Part No	Description
098251	CHEMILIZER OUTLET TEE ASSY FG8020

ACTUATOR



Part No	Description
098253	CHEMILIZER ACTUA ASSY FG5043

PHONE
800-328-8842

CHEMILIZER

O-RING



Part No	Description
---------	-------------

098269	CHEMILIZER O-RINGS 009 10095067
--------	------------------------------------

O-RING



Part No	Description
---------	-------------

098271	CHEMILIZER O-RINGS 159 10095054
--------	------------------------------------

O-RING

Part No	Description
---------	-------------

098238	CHEMILIZER O-RING UPPER SEAL 10095063 (50 pack)
098239	CHEMILIZER O-RING LOWER SEAL 10095064 (50 pack)
098270	CHEMILIZER O-RINGS 119 10095053

BOTTOM CAP

Part No	Description
---------	-------------

098264	CHEMILIZER BOTTOM CAP ASSY FG8016
--------	--------------------------------------

PARTS

Part No	Description
---------	-------------

098256	CHEMILIZER 1/4" CAP F11020
098260	CHEMILIZER TOP CAP ASSY FG8013
098262	CHEMILIZER MAIN TOP BLDY ASSY FG8014
098267	CHEMILIZER 1/O SCREW F22002
098268	CHEMILIZER PISTON GUIDE INSERT F13075
098231	CHEMILIZER PUMP KIT 1:128 VITON FG9409-V (WHITE)

ADJUSTABLE PUMP

Part No	Description
---------	-------------

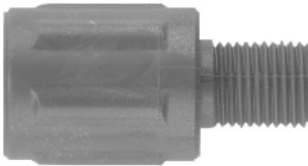
098273	CHEMILIZER ADJUSTABLE PUMP 50:1-154:1, 2%-0.6%
--------	---

CHECK VALVE DUCKBILL



Part No	Description
098331	STENNER SANTOPRENE CHECK VALVE DUCKBILL (2/PACK)

CHECK VALVE



Part No	Description
098332	STENNER CHECK VALVE BODY 1/4"

PUMP



Part No	Description
098012	STENNER PUMP M128 (120V) 40GPD 100 PSI

PUMP



Part No	Description
098306	STENNER PUMP 45MPH10 (120V) FIXED 100 PSI#2 TUBE

PUMP



Part No	Description
098308	STENNER PUMP 85MHP17 (120V) ADJUSTABLE 100 PSI 2/#2 TUBE

FERRULE



Part No	Description
098328	STENNER FERRULE 1/4" 24-PK (SELL AS EACH)

TUBE



Part No	Description
098321	STENNER #3 TUBE 2 PACK
098324	STENNER #5 TUBE 2 PACK

CONNECTING NUT



Part No	Description
098329	STENNER CONNECTING NUT 1/4" 24-PK

STRAINER



Part No	Description
098327	STENNER WEIGHTED SUCTION LINE STRAINER 1/4"

FLOW INDICATOR



Part No	Description
098330	STENNER FLOW INDICATOR W/ BRACKET

TUBE W/ FERRULE & DUCKBILL



Part No	Description
098322	STENNER #1 TUBE 2/PK HIGH PSI W/ FERRULE & DUCKBILL
098323	STENNER #2 TUBE 2/PK HIGH PSI W/ FERRULE & UCKBILL
098325	STENNER #7 TUBE W/PK HIGH PSI W/ FERRULE & DUCKBILL

PUMP HEAD



Part No	Description
098334	STENNER PUMP HEAD NEW QUICKPRO W/#2 TUBE

WATER METER



Part No	Description
098315	STENNER WATER METER 3/4" PLASTIC (1 GAL/PULSE) JPL
098316	STENNER WATER METER 1 1/2" PLASTIC (1 GAL/PULSE) JPL
098022	STENNER WATER METER 1" PLASTIC PSI 100 (1 GAL/PULSE) JPL

STENNER



PUMP CONTROL



Part No	Description
---------	-------------

098310	STENNER PUMP CONTROL MODULE PCM-10
--------	---------------------------------------

098311	STENNER PUMP CONTROL MODULE PCM-5
--------	--------------------------------------

PUMP

Part No	Description
---------	-------------

098314	STENNER PUMP 45MHP2 (120V) FIXED 100 PSI #1 TUBE
--------	---

098309	STENNER PUMP 85MHP17 (120V) FIXED 100 PSI W/#2 TUBE
--------	---

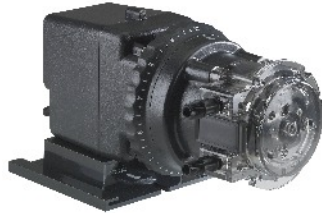
TANK



Part No	Description
---------	-------------

098320	STENNER 15 GALLON NATURAL TANK
--------	-----------------------------------

PUMP



Part No	Description
---------	-------------

098307	STENNER PUMP 45MHP10 (120V) ADJUSTABLE 100 PSI W/#2 TUBE
--------	--

INJECTION CHECK VALVE



Part No	Description
---------	-------------

098210	STENNER INJECTION CHECK VALVE 1/4"
--------	---------------------------------------

INTEGRATOR



Part No	Description
---------	-------------

098312	STENNER PUMP ECON INTEGRATOR 16GPD 80PSI E20RHG71A
--------	--

PHONE
800-328-8842

STENNER

STENNICATOR



Part No	Description
098313	STENNER PUMP STENNICATOR 1:128 2.7 OZ 80 PSI
098338	STENNER STENNICATOR ROLLER ASSY BLACK
098339	STENNER STENNICATOR PUMP HEAD COVER
098337	STENNER TUBE H 2PK STENNICATOR

LITHIUM GREASE



Part No	Description
098353	STENNER AQUASHIELD LITHIUM BASE GREASE 5OZ

PARTS

Part No	Description
098055	STENNER WATER METER SEAMETRICSSGLEREED SWTICH SENSOR
098354	STENNER TUBE G 2PK ECON PUMP

FILTER SCREEN

Part No	Description
098053	FILTER SCREEN 1 1/2-100 MESH \EACH

SUCTION / DISCHARGE TUBE

Part No	Description
098326	STENNER SUCTION / DISCHARGE UBE WHITE 20'X1/4"

TUBE HOUSING



Part No	Description
098335	STENNER TUBE HOUSING WITH LATCHES

TUBE HOUSING COVER



Part No	Description
098336	STENNER TUBE HOUSING COVER WITH BUSHING

DOSATRON



DM11F 11 GPM



Part No	Description
097900	DOSATRON DM11F (Diaphragm driven)

DIAPHRAGM



Part No	Description
097273	DOSATRON DM11F DIAPHRAGM SUB ASSY

PLUNGER



Part No	Description
097797	DOSATRON DM11F PLUNGER W/O SEALS

ISOLATION BODY



Part No	Description
097270	DOSATRON DM11 ISOLATION BODY

DM11F NUT



Part No	Description
097798	DOSATRON DM11F NUT PD1734

DM11F SLIDING VALVE

Part No	Description
098275	DOSATRON DM11F SLIDING VALVE

AIR BLEED SPRING

Part No	Description
097795	DOSATRON DM11F AIR BLEED SPRING MD1365

DM11F CERAMIC PLATE



Part No	Description
098276	DOSATRON DM11F CERAMIC PLATE

DOSATRON

DM11F NUT



Part No	Description
097799	DOSATRON DM11F NUT PD1735

CHECK VALVE



Part No	Description
097271	DOSATRON DM11 CHECK VALVE

STRAINER

Part No	Description
097280	DOSATRON STRAINER ASSEMBLY 8MM (DM11F/D14M22)

PLUNGER O-RING



Part No	Description
097274	DOSATRON DM11F PLUNGER MID SECTION O-RING

O-RING

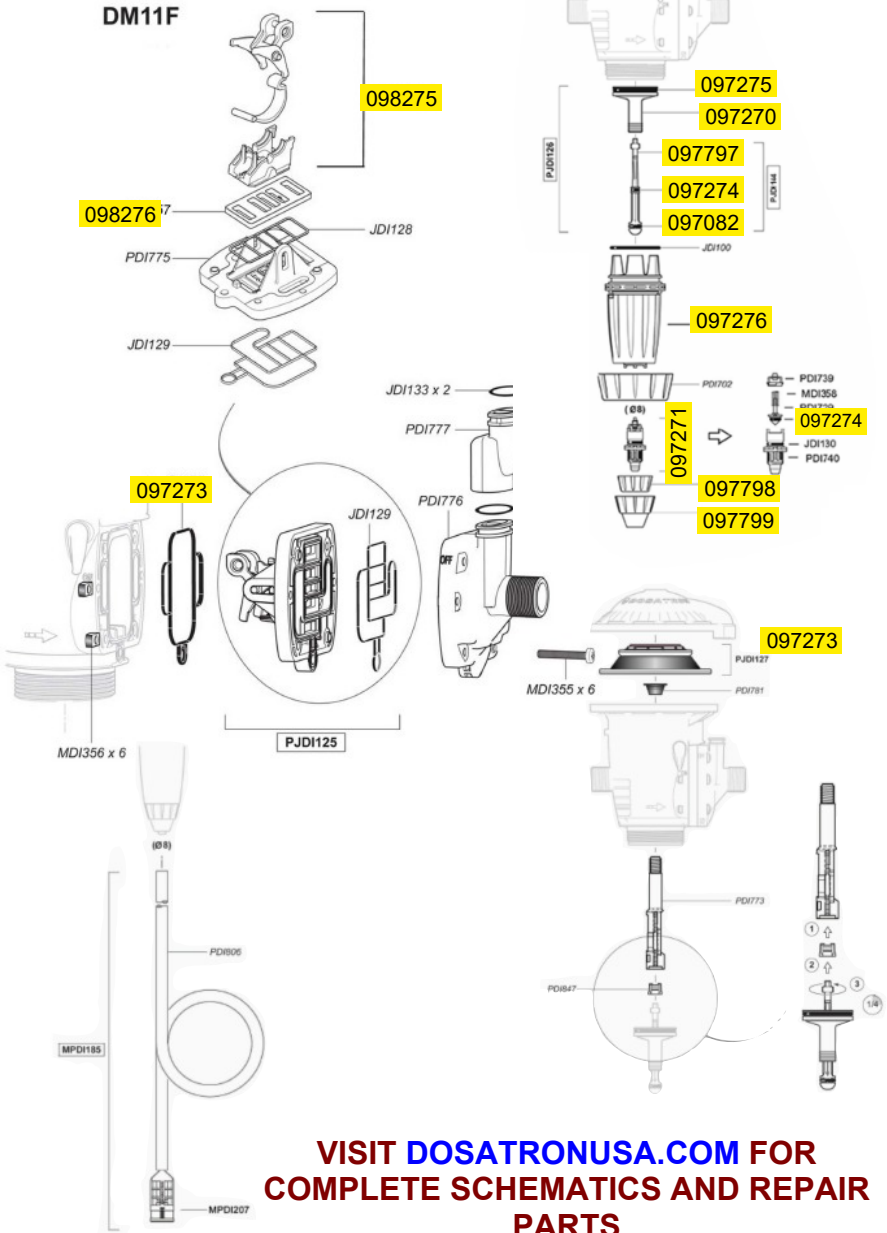
Part No	Description
097275	DOSATRON DM11F O-RING SEAL

DM11F STYLE INJ



Part No	Description
097276	DOSATRON DM11F NEW STYLE INJ STEM BLK (PD1784U)

DM11F PARTS BREAKDOWN



VISIT DOSATRONUSA.COM FOR
 COMPLETE SCHEMATICS AND REPAIR
 PARTS

PHONE
800-328-8842

D25F 11 GPM



Part No	Description
097600	DOSATRON D25F 11 GPM

D25F SHELL



Part No	Description
097214	DOSATRON D25F SHELL

PUSH ROD O-RING



Part No	Description
097216	DOSATRON D25F PUSH ROD O-RING

D25F PLUNGER



Part No	Description
097082	DOSATRON D25F PLUNGER SEAL

DOSATRON

VALVE SEAL



Part No	Description
097106	DOSATRON OUTPUT VALVE SEAL

CHECK VALVE



Part No	Description
097210	DOSATRON D25F CHECK VALVE SEAL

TOP CAP



Part No	Description
097071	DOSATRON TOP CAP O RING SEAL

PUSH ROD



Part No	Description
097218	DOSATRON D25F PUSH ROD

PUSH ROD



Part No	Description
097499	DOSATRON LOCKING NUT 6MM SUCTION HOSE

DOSATRON



ACTUATOR SPRING



Part No	Description
---------	-------------

097208	DOSATRON D25F ACTUATOR SPRING
--------	----------------------------------

ACTUATOR ASSY



Part No	Description
---------	-------------

097212	DOSATRON D25F ACTUATOR ASSY
--------	--------------------------------

D25F OUTPUT VALVE



Part No	Description
---------	-------------

097206	DOSATRON D25F OUTPUT VALVE ASSY
--------	------------------------------------

CHECK VALVE SPRING



Part No	Description
---------	-------------

097200	DOSATRON D25F CHECK VALVE SPRING/ CONE ASSY
--------	--

PLUNGER



Part No	Description
---------	-------------

097081	DOSATRON D25F PLUNGER
--------	-----------------------

D25F OUTPUT VALVE

Part No	Description
---------	-------------

097204	DOSATRON D25F SLEEVE O-RING
--------	--------------------------------

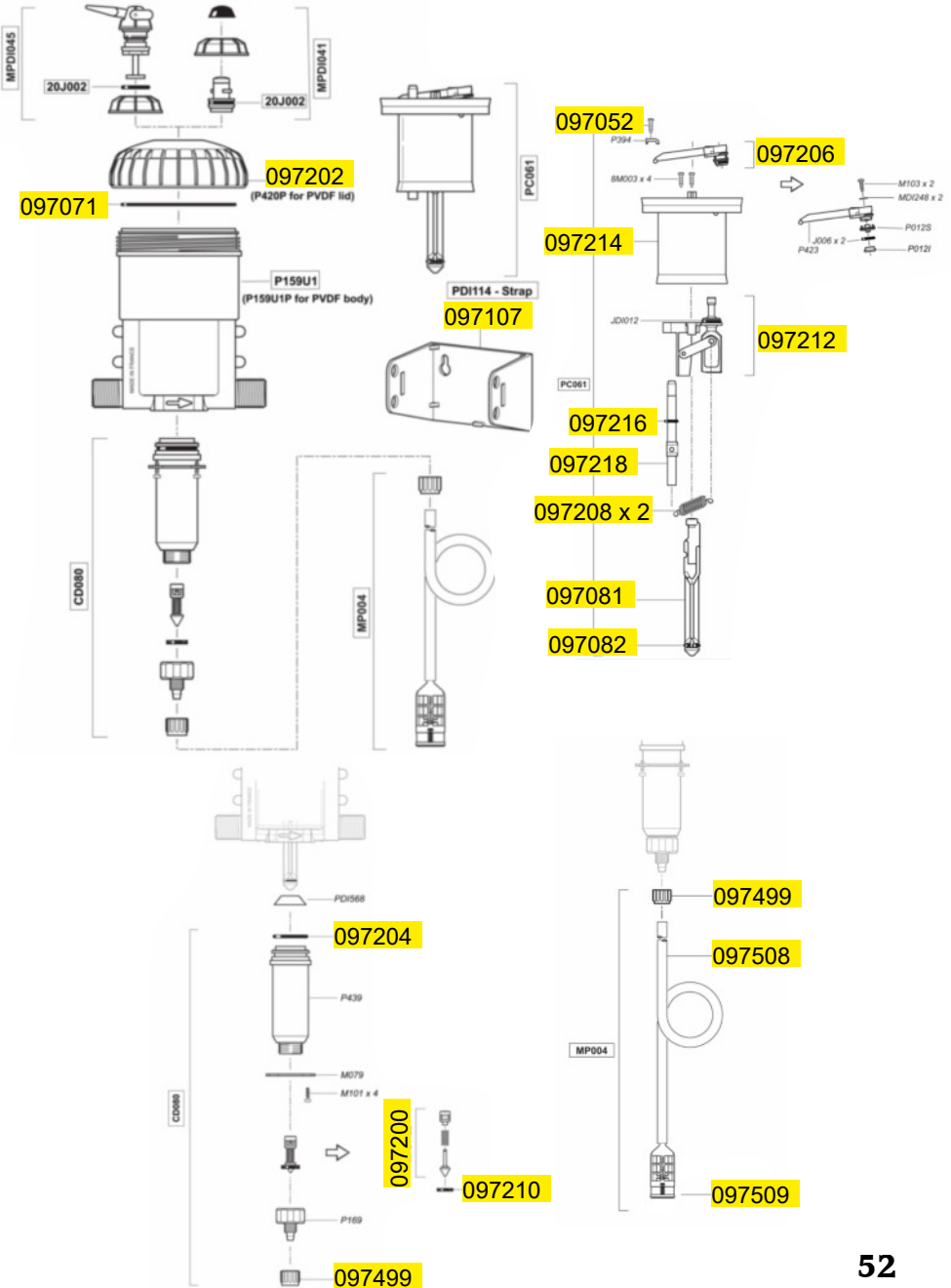


Part No	Description
---------	-------------

097220	DOSATRON D25F INJECTION SEAL KIT
--------	-------------------------------------

DOSATRON

D25F PARTS BREAKDOWN



DOSATRON



D128R 7GPM



Part No	Description
097070	DOSATRON D128R 7GPM

PISTON SHELL



Part No	Description
097105	DOSATRON 25F PISTON SHELL

PISTON W/ PLUNGER



Part No	Description
097507	DOSATRON D128R/7GPM COMPLETE PISTON W/PLUNGER

ACTUATOR SPRING



Part No	Description
097072	DOSATRON 7GPM ACTUATOR SPRING

D128R PUMP BODY



Part No	Description
097800	DOSATRON 128R PUMP BODY - BLUE

STEM, CAP



Part No	Description
097502	DOSATRON D128R STEM CAP NEW TYPE

STEM SLEEVE



Part No	Description
097503	DOSATRON D128R BLACK STEM SLEEVE 1-5%

PUSH ROD O-RING



Part No	Description
097102	DOSATRON 7GPM PUSH ROD O-RING

PHONE
800-328-8842

PUSH ROD



Part No	Description
097101	DOSATRON 7GPM PUSH ROD

PISTON ROD PLUNGER



Part No	Description
097073	DOSATRON D128R PISTON ROD PLUNGER

BOTTOM SEAL



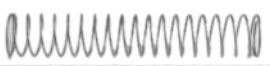
Part No	Description
097501	DOSATRON D128R BOTTOM SEAL (VT)

WISHBONE SPRING



Part No	Description
097104	DOSATRON 7GPM WISHBONE SPRING VALVE ASSY

VALVE SLIDING SPRING



Part No	Description
097506	DOSATRON D128R VALVE SLIDING SPRING

DOSATRON

SHORT SCREW



Part No	Description
097052	DOSATRON SS SCREW (SHORT)

ACTUATOR ASSY

Part No	Description
097103	DOSATRON 7GPM ACTUATOR ASSY W/J007 HT O-RING

TOP SEAL

Part No	Description
097500	DOSATRON D128R TOP SEAL (VT)

SLIDE VALVE

Part No	Description
097505	DOSATRON D128R SLIDE VALVE

VALVE

Part No	Description
097100	DOSATRON ADMISSION VALVE SEAL J007VT

BODY GASKET

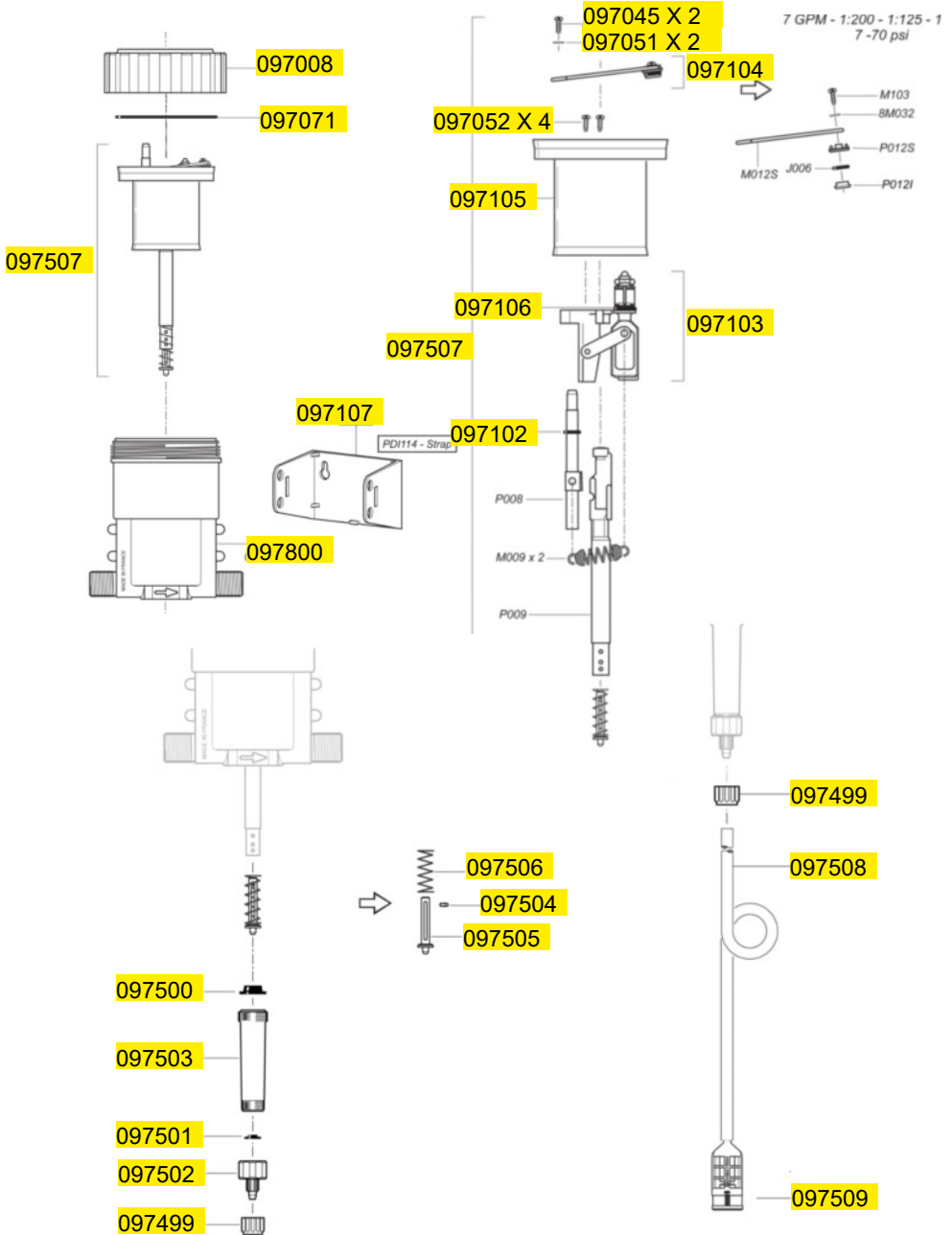
Part No	Description
097277	DOSATRON TRANSFER BODY GASKET

MOUNTING BRACKET

Part No	Description
097107	DOSATRON MOUNTING BRK'T PLASTIC 7/11GPM

DOSATRON

D128R PARTS BREAKDOWN



DOSATRON

200 MESH



Part No	Description
097068	200 MESH HOOK UP KIT

FILTER

Part No	Description
097066	200 MESH INNER SCREEN FOR HOOK UP KIT

R1



Part No	Description
097061	DOST R1 SCREEN FILTER \ EACH

VALVE SLIDE PIN

Part No	Description
097504	DOSATRON VALVE SLIDE PIN

WEIGHT

Part No	Description
097512	DOSATRON WEIGHT FOR 6MM HOSE SS NUT

MALE PIPE

Part No	Description
097079	DOSATRON 3/4 MALE PIPE TO 3/4 FEMALE ADAPT

STRAINER



Part No	Description
097509	DOSATRON 6MM STRAINER NO WEIGHT

HOSE



Part No	Description
097508	DOSATRON 6MM 6' SUCTION HOSE 7/11GPM
097801	DOSATRON HOSE 6 FT (8mm) D14M22/DM11F

PUMP BODY

Part No	Description
097278	DOSATRON PUMP BODY GASKET

ACTUATOR GASKET

Part No	Description
097279	DOSATRON ACTUATOR GASKET

DIVERSIFIED



DIVERSIFIED PRODUCT



Part No	Description
098010	DIVERSIFIED MIXRITE 2502 MEDICATOR RATE 0.2-2%
098020	DIVERSIFIED MIXRITE 2504 MEDICATOR RATE 0.4-4%
098021	DIVERSIFIED MIXRITE 12502 MEDICATOR .2-2% W/ON/OFF

PARTS “O” RING

Part No	Description
098030	DIVERSIFIED MIXRITE COVER “O” RING
098031	DIVERSIFIED MIXRITE CYLINDER SUPPORT “O” RING
098033	DIVERSIFIED MIXRITE CYLINDER “O” RING
098034	DIVERSIFIED MIXRITE CHECK VALVE LOWER “O” RING

DIVERSIFIED SEAL KIT



Part No	Description
098006	DIVERSIFIED MIXRITE 2502 SEAL KIT

DIVERSIFIED MIXRITE SEAL



Part No	Description
098024	DIVERSIFIED MIXRITE 2504 SEAL KIT

MIXRITE SPRING

Part No	Description
098019A	DIVERSIFIED MIXRITE PLASTIC CYLINDER SPRING

PHONE
800-328-8842

PARTS

ETATRON



Part No	Description
---------	-------------

098350	ETATRON E1 BASIC METERING PUMP 101 PSI
--------	--

098351	ETATRON PKX FT/A METERING PUMP 72 PSI
--------	---

FARM GUARD REPAIRS



Part No	Description
---------	-------------

098341	FARM GUARD FILTER CARTRIDGE 20 MICRON
--------	--

FILTER SCREEN



Part No	Description
---------	-------------

098026	FILTER SCREEN 1-30 MESH \ EACH
--------	-----------------------------------

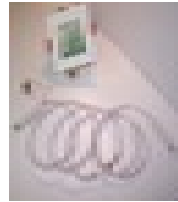
HYDRO SPRAYER



Part No	Description
---------	-------------

098343	HYDRO SPRAYER 48oz (DILUTION 16:1-128:1)
--------	---

REPLACEMENT FILTER



Part No	Description
---------	-------------

098036	FILTER SCREEN 2-140 MESH \ EACH
--------	------------------------------------

098037	FILTER SCREEN 1 1/2-140 MESH \ EACH
--------	--

MEDICATORS

Part No	Description
---------	-------------

098302	QUICK MIX PUMP (EZ MIX)
--------	-------------------------

PARTS



REPLACEMENT BOWL



Part No	Description
098039	FILTER SPIN DOWN 3/4-1" BOWL ONLY
098038	FILTER SPIN DOWN 2 BOWL ONLY
098040	FILTER SPIN DOWN 1 1/2 BOWL ONLY

FILTER SPIN

Part No	Description
098069	FILTER SPIN DOWN 1"-250 MESH COMPLETE \ EACH

SPIN DOWN PRODUCT

Part No	Description
098072	FILTER SPIN DOWN 2"-100 MESH COMPLETE \ EACH
098070	FILTER SPIN DOWN 1"-100 MESH COMPLETE \ EACH
098071	FILTER SPIN DOWN 1 1/2"-100 MESH COMPLETE \ EACH

FILTER SCREEN

Part No	Description
098100	FILTER SCREEN 1-100 MESH

MISC. PARTS

Part No	Description
097045	SS SCREW (SHORT)
097051	SS WASHER
097062	VALL VALVE SCH 80 PVC 3/4 THREADED \ EACH
097530	STEM CHECK VALVE ASSY W/ TWO NUTS
097535	PLUNGER ASSY (D1-11)
097540	CHECK VALVE SEAL (D1-11)
097925	PRODOSE II A7GPM-R GENERIC DOSATRON 127R

TAG PLIER & TAGS



Part No	Description
635301	TAG PLIER UNIVERSAL
635300	TAGS LARGE MALE HOG BLUE/BLANK (25/PACK)

BEAK TRIMMER



Part No	Description
635709	TURKEY BEAK TRIMMER-CORONA

SANITATION

ACCEL CONCENTRATE



Part No	Description
---------	-------------

080924	INTERVENTION CONCENTRATE (ACCEL) 1 GAL
--------	---

ACCEL WIPES



Part No	Description
---------	-------------

080810	INTERVENTION TB WIPES 160-DISPENSER (SP. ORDER)
--------	--

ACID-A-FOAM



Part No	Description
---------	-------------

080840	ACID-A-FOAM XL \ 4x1 GAL
--------	-----------------------------

AMASIL



Part No	Description
---------	-------------

080170	AMASIL (FORMIC ACID) 240 KG 50 GAL DRUM
--------	--

ANTHIUM DIOXIDE



Part No	Description
---------	-------------

080955	ANTHIUM DIOXIDE DRUM 5 GAL
--------	-------------------------------

ANTHIUM DIOXIDE TEST STRIPS



Part No	Description
---------	-------------

080011	ANTHIUM DIOXIDE TEST STRIPS \ 50/JAR
--------	---

ASPEN FOOT PATROL



Part No	Description
---------	-------------

080103	ASPEN FOOT PATROL 100 LB (SPECIAL ORDER)
--------	---

SANITATION



BIOCREST



Part No	Description
---------	-------------

080092	BIOCREST 50 (Clean Crest) \ 4x1 GALLON
--------	---

AQUA MAX



Part No	Description
---------	-------------

080008	COOL-N-KLEAN (AQUA MAX) 4x1 GAL
--------	------------------------------------

BIO-GEL FOAMING CLEANER



Part No	Description
---------	-------------

080325	BIO GEL FOAMING CLEANER \25 LITER DRUM (6.6 Gal)
080326	BIO GEL FOAMING CLEANER 55 GAL DRUM

BIOSOLVE PLUS



Part No	Description
---------	-------------

080052	BIOSOLVE PLUS \ 4x1 GALLON
--------	-------------------------------

BIO-QUAT



Part No	Description
---------	-------------

080005	BIO-QUAT (PI QUAT) 20 \ 4x1 GAL
--------	------------------------------------

BLEACH - CLOROX



Part No	Description
---------	-------------

080118	BLEACH-CLOROX 8.25% \ 8x64oz
--------	---------------------------------

PHONE
800-328-8842

BLEACH 12.5%



Part No	Description
080108	BLEACH 12.5% 5 GAL
080110	BLEACH 12.5% \ DRUM 15 GAL (with 080111)
080115	BLEACH 12.5% \ DRUM 55 GAL (FOR AG USE ONLY)

BLUE KOTE



Part No	Description
080351	BLUE KOTE 50OZ AEROSOL

CAUSTIC SODA



Part No	Description
080902	CAUSTIC SODA 30% \ DRUM 15 GAL SODIUMHYDROXIDE

SANITATION

CHLORINE PELLETS



Part No	Description
080106	CHLORINE PELLETS TWIN PACK

CHERRY BOMB



Part No	Description
080800	ZEP CHERRY BOMB HEAVY DUTY CLEANER 1 GAL

CID 2000



Part No	Description
080330	CID 2000 \ 10 LITER (2.6 Gal) DRUM

CID CLEAN



Part No	Description
080145	CID CLEAN \ 10 LITER (2.6 Gal) DRUM (SPECIAL ORDER)

SANITATION



CLINAFARM SG



Part No	Description
---------	-------------

080605	CLINAFARM SG (1250 SQ FT/ EACH) 24X33.4 GRAM CANISTER (SPECIAL ORDER)
--------	---

CLOROX WIPES



Part No	Description
---------	-------------

562043	CLOREX WIPES 105 PER PAIL \ 4/CASE
--------	---------------------------------------

CLOROX CLEAN-UP



Part No	Description
---------	-------------

562269	CLOROX CLEAN UP 32 oz
--------	-----------------------

DISH SOAP



Part No	Description
---------	-------------

562850	DISH SOAP ANTIBACTERIAL
--------	-------------------------

DRUM WRENCH



Part No	Description
---------	-------------

562004	DRUM WRENCH 11" LONG
--------	----------------------

DRUM PUMP



Part No	Description
---------	-------------

080205	PUMP FOR 55 GAL DRUM
--------	----------------------

DC & R DISINFECTANT



Part No	Description
---------	-------------

080090	DC & R DISINFECTANT \ 4x1 GAL
--------	----------------------------------

080091	DC & R DISINFECTANT \ CS (2x2.5 GAL) (SP. ORDER)
--------	---

DYNE-O-MIGHT



Part No	Description
---------	-------------

080051	DYNE-O-MIGHT \ 5 GAL DRUM (SPECIAL ORDER)
--------	--

SANITATION

ENVIRON



Part No	Description
---------	-------------

080835	ENVIRON 1 STROKE \ 4x1 GAL
--------	-------------------------------

FRESH FLO



Part No	Description
---------	-------------

080930	FRESH FLO 55 \ 55 GAL DRUM (special order)
--------	---

080945	FRESH FLO \ 4x1 GAL (SPECIAL ORDER)
--------	--

FORMALDEHYDE



Part No	Description
---------	-------------

080714	(PestTx) FORMALDEHYDE \ 4x1 GAL (SPECIAL ORDER)
--------	--

080715	(PestTx) FORMALDEHYDE 480 lb NO RETURN 50 GAL DRUM
--------	--

IODINE



Part No	Description
---------	-------------

080350	IODINE (IODIS) 1/75% \ 4x1 GAL
--------	-----------------------------------

GLUTEX



Part No	Description
---------	-------------

080743	GLUTEX GS2 \ 5 GAL DRUM
080741	GLUTEX GQ1 5 GAL DRUM

FOOT PATROL

Part No	Description
---------	-------------

080105	FOOT PATROL 8LB CONTAINER
--------	------------------------------

SANTITATION

HAND SANITIZER



Part No	Description
---------	-------------

562825	HAND ANITIZER W/ ALOE PURELL
--------	---------------------------------

HYDROGEN PEROXIDE



Part No	Description
---------	-------------

080130	HYDROGEN PEROXIDE \ NO RETURN DRUM 15 GAL
--------	--

IRON OUT



Part No	Description
---------	-------------

562853	IRON OUT 9.5 LB\ 4/CASE
--------	----------------------------



ISOPROPYL ALCOHOL



Part No	Description
---------	-------------

080318	ISOPROPYL ALCOHOL 99% (special order) \ 4x1 GAL
080320	ISOPROPYL ALCOHOL 70% \ 4x1 GAL

KENO



Part No	Description
---------	-------------

080321	KENO X5 2.6 GALLON JUG
--------	------------------------

LY-HYFAC



Part No	Description
---------	-------------

080910	LY-HYFAC #356 \ DRUM
--------	-------------------------

PHONE
800-328-8842

SANITATION

DISINFECTANT SPRAY



Part No	Description
562056	DISINFECTANT SPRAY 19oz KILLS VIRUSES

MAXKLOR



Part No	Description
080848	MAXKLOR 55 GAL \ 55 GAL DRUM (special order)

MURATIC ACID



Part No	Description
080038	MURATIC ACID \ 4x1 GAL
080400	MURATIC ACID (HYDROCHLORIC 20)\135 LB

PH SAFE



Part No	Description
080150	PH SAFE 40LB PAIL

PHOSPHORIC ACID



Part No	Description
080838	PHOSPHORIC ACID 75% \ 15 GAL DRUM TECH GRADE
080904	PHOSPHORIC ACID 75% 15 GAL FOOD GRADE

PINE CLEANER



Part No	Description
562851	ZEP PINE CLEANER \ 4/CASE

POTASSIUM PERMANGANATE



Part No	Description
080221	POTASSIUM PERMANGANATE \ 55.125 lb PAIL

SANITATION



PRO-OXINE



Part No	Description
---------	-------------

080094	PRO-OXINE \ 5 GAL DRUM (SPECIAL ORDER)
--------	---

SANIDATE



Part No	Description
---------	-------------

080306	SANIDATE 5.0 2.5 GAL
--------	----------------------

PROXY-CLEAN



Part No	Description
---------	-------------

080127	PROXY-CLEAN \ 4X1 GAL
080187	PROXY-CLEAN \ 15 GAL DRUM

SCRUBS IN A BUCKET



Part No	Description
---------	-------------

562981	SCRUBS IN A BUECKET HAND CLEANER TOWELS
--------	--

PROXY-CLEAN DE-SCALER



Part No	Description
---------	-------------

080125	PROXY-CLEAN DE-SCALER \ 4x1 GAL (MINERAL CLEAN)
080186	PROXY CLEAN MINERAL CLEAN 15 GALLON DRUM



Part No	Description
---------	-------------

080450	SOFTJAMB 1.75% \ 4x1 GAL (Iodine)
--------	--------------------------------------

STAYFOG

Part No	Description
---------	-------------

080501	STAYFOG CARRIER SOLUTION
--------	--------------------------

SANITATION

STEILEX

Part No	Description
---------	-------------

080082	STEILEX FOOT BATH POWDER 100 LB (SPECIAL ORDER)
--------	--

SYNERGIZE



Part No	Description
---------	-------------

0080922	SYNERGIZE \ 4x1 GAL
---------	---------------------

TEK-TROL AEROSOL



Part No	Description
---------	-------------

080832	TEK-TROL AEROSOL \ 12x17oz
--------	-------------------------------

TEK-TROL



Part No	Description
---------	-------------

080834	TEK-TROL \ 4x1 GAL
--------	--------------------

TRAFFIC C.O.P.



Part No	Description
---------	-------------

080107	TRAFFIC C.O.P. \ 18 LB PAIL
--------	-----------------------------

UNIVERSAL BARN CLEANER



Part No	Description
---------	-------------

080112	UNIVERSAL BARN (Quick clean) 1-500 \ 5 GAL DRUM
--------	--

080113	UNIVERSAL BARN 55 GAL DRUM (SPECIAL ORDER)
--------	---

VIRKON S



Part No	Description
---------	-------------

080500	VIRKON S \ 4x10 lb TUB
--------	------------------------

SANITATION



VIROCID



Part No	Description
---------	-------------

080322	VIROCID \ 4x5 LITER (1.33 GAL)
--------	-----------------------------------

080315	VIROCID 5.3 GAL (SPECIAL ORDER)
--------	------------------------------------

WEX-CIDE



Part No	Description
---------	-------------

080308	WEX-CIDE 128 4X1 GAL (SPECIAL ORDER)
--------	---

CHLORINE TEST STRIPS



Part No	Description
---------	-------------

562893	CHLORINE TEST STRIPS FREE/TOTAL CHLORINE 0-10
--------	--

HYDROGEN PEROXIDE TEST



Part No	Description
---------	-------------

562041	GRAINGER LAMOTTE HYDROGEN PEROXIDE TEST STRIPS (25/PK)
--------	--

SPRAYER



Part No	Description
---------	-------------

562848	1 GALLON TANK SPRAYER
--------	-----------------------

PUMP



Part No	Description
---------	-------------

562986	1 OZ PUMP FOR GALLON JUG
--------	-----------------------------

ZEP ALKALINE CLEANER



Part No	Description
---------	-------------

080550	ZEP FORMULA 50 HEAVY DUTY ALKALINE CLEANER 1 GAL
--------	--

PHONE
800-328-8842

GLOVES



Part No	Description
562163	GLOVES - SIZE LARGE LATEX (50 PR/BOX)
562301	GLOVES - SIZE MEDIUM LATEX (50 PR/BOX)
562101	GLOVES - SIZE SMALL LATEX (50 PR/ BOX)
562201	GLOVES - SIZE X-LARGE LATEX (50 PR/ BOX)
562124	GLOVES - CCP HAND ARMOR BLACK NITRILE LARGE
562114	GLOVES - CCP HAND ARMOR BLACK NITRILE MED
562881	GLOVES - CCP HAND ARMOR BLACK NITRILE SMALL
562115	GLOVES - CCP HAND ARMOR BLACK NITRILE X-LARGE
562880	GLOVES - CCP ORANGE NITRILE XX-LARGE (50 PAIR)

ZEP HAND CLEANER



Part No	Description
562872	ZEP TKO HAND GLEANER 1 GAL

SANITATION

COVERALL



Part No	Description
562982	COVERALL 3XL PROWORK BREATHABLE (12 CASE)
562976	COVERALL 4XL PROWORK BREATHABLE (25 CASE)
562974	COVERALL HOODED TYVEK XL ELASTIC CUFF/ANKLE (25 CASE)
562984	COVERALL XXL PROWORK BREATHABLE (12 CASE)

ZEP BLUE WASH



Part No	Description
080831	ZEP BLUE MARVEL WASH 1 GAL

ZEP TRUCK WASH



Part No	Description
080830	ZEP TNT TRUCK WASH 5 GAL PAIL

BOOTS

BOOT COVERS



Part No	Description
---------	-------------

562506	BOOT COVERS SAFE TRACK (200/CASE/ 100 PAIR)
--------	---

BROWN BOOT



Part No	Description
---------	-------------

562919	BOOT KNEE HIGH BROWN SIZE 7
562921	BOOT KNEE BROWN SIZE 8
562926	BOOT KNEE BROWN SIZE 9
562920	BOOT KNEE BROWN SIZE 10
562916	BOOT KNEE BROWN SIZE 11
562917	BOOT KNEE BROWN SIZE 12
562925	BOOT KNEE BROWN SIZE 13

GREEN BOOT



Part No	Description
---------	-------------

562627	BOOT KNEE HIGH GREEN SIZE 7
562628	BOOT KNEE GREEN SIZE 8
562629	BOOT KNEE GREEN SIZE 9
562630	BOOT KNEE GREEN SIZE 10
562631	BOOT KNEE GREEN SIZE 11
562632	BOOT KNEE GREEN SIZE 12
562633	BOOT KNEE GREEN SIZE 13
562634	BOOT KNEE GREEN SIZE 14



SANI BOOT



Part No	Description
---------	-------------

562247	BOOT SANI ELASTIC 3M \25PR/BAG
562200	BOOT SANI W/ TIE LARGE 4 ML\25PR/BOX
562500	BOOT SANI W/ TIE X-LARGE 4 ML\25PR/BOX
562502	BOOT SANI W/ TIE X-LG 6ML \ 25PR/BOX
562504	BOOTS SANI TREADER W/ EALSTIC AND GRIPPER XL \40PR/BOX

LATEX BOOT

Part No	Description
---------	-------------

562928	LATEX RUBBER BOOT YELLOW LRGE (12PR/BOX)
562929	LATEX RUBBER BOOT YELLOW X LRG (12PR/BOX)

BOOT SCRUBBER BRUSH



Part No	Description
---------	-------------

562268	BOOT SCRUBBER BRUSH
--------	---------------------

BOOTS

TINGLEY BOOTS



Part No	Description
562652	TINGLEY BOOT ANKLE LARGE
562651	TINGLEY BOOT ANKLE MEDIUM
562650	TINGLEY BOOT ANKLE SMALL
562653	TINGLEY BOOT ANKLE X-LARGE
562654	TINLGEY BOOT ANKLE XX-LARGE
562640	TINGLEY BOOT ANKLE XXX-LARGE
562671	TINGLEY BOOT KNEE HIGH MEDIUM
562670	TINGLEY BOOT KNEE HIGH SMALL
562657	TINGLEY BOOT WORK LARGE
562656	TINGLEY BOOT WORK MEDIUM
562655	TINGLEY BOOT WORK SMALL
562658	TINGLEY BOOT WOORK X-LARGE
562659	TINGLEY BOOT WORK XX-LARGE
562660	TINGLEY BOOT WORK XXX-LARGE

BOOT TRAY



Part No	Description
562231	SANITIZER BOOT TRAY 34.5"Lx23"Wx1.25"H

INJECTION



NEEDLE



Part No	Description
635328	NEEDLE 14GA x3 /4SS
635715	NEEDLE 16 x 1 DISPOSABLE
635600	NEEDLE 16 x 3/4 DISPOSABLE / BOX OF 100
635605	NEEDLE 16GA x 1SS
635604	NEEDLE 16GA x 1/2SS
635599	NEEDLE 18 x 1/2" DISPOSABLE
635615	NEEDLE 18GA x 1" SS
635544	NEEDLE 18 x 1/4 PH/100CT
635616	NEEDLE GA x 2 FEEDING NEEDLE CU (sold by each)
635612	NEEDLE 18GA x 3/4SS
635632	NEEDLE 20GA x 3/4SS
635553	NEEDLE FOR WING POX SYRING 2CC
635551	BARREL SYRINGE NEEDLE 7" (18CM) FOR AVIPRO DBL

OVIJECTOR



Part No	Description
635542	OVIJECTOR MARK 2
635541	OVIJECTOR REPAIR KIT MARK 2
635552	OVIJECTOR REPAIR KIT MARK 3
635550	OVIJECTOR TRIGGER . SCREW

SYRINGE



Part No	Description
635920	SYRINGE AVIPRO DOUBLE BARREL
635922	SYRINGE AVIPRO DOUBLE BARREL PARTS KIT
635984	SYRINGE JECTA-MATIC 2.0ML (12/PACKAGE)
635983	SYRINGE JECTA-MATIC 2.0ML CYLINDER ONLY
635985	SYRINGE JECTA-MATIC 5.0ML (12/PKG)
635951	SYRINGE PAK VENTED SPIKE (MERIAL) W/635950
635925	SYRINGE TERUMO 10 CC LUER SLIP TIP \ 100 BOX
635926	SYRINGE TERUMO 20 CC LUER SLIP TIP \ 50/BOX
635530	SYRINGE-DISPOSABLE 12CC 80/BOX
635531	SYRINGE-DISPOSABLE 20CC / BOX OF 50
635520	SYRINGE-DISPOSABLE 3CC
635528	SYRINGE DISPOSABLE 6CC 50/BOX

POX VACCINE SYRINGE



Part No	Description
635547	AGRI PRO 2CC WING WEB POX SYRINGE

PHONE
800-328-8842

LIVESTOCK MARKERS

SPRAYOLO



Part No	Description
---------	-------------

635738	SPRAYOLO - NEON ORANGE PINT (12/CASE)
635739	SPRAYOLO - BLUE PINT (12/CASE)
635740	SPRAYOLO - PINK PINT (12/CASE)
635741	SPRAYOLO - GREEN PINT (12/CASE)
635742	SPRAYOLO - PINK GALLON
635743	SPRAYOLO - GREEN GALLON
635744	SPRAYOLO - NEON ORANGE
635745	SPRAYOLO - BLUE GALLON
635746	SPRAYOLO TRIGGER SPRAYER
635747	SPRAYOLO - PURPLE GALLON

MARKING SPRAY



Part No	Description
---------	-------------

635889	PRIMA II BLUE 17.5oz
635890	PRIMA II GREEN 17.5oz
635982	PRIMA II BLAK 17.5oz

PAINT TWIST



Part No	Description
---------	-------------

635720	PAINT TWIST-STIK RED (12/BOX)
635721	PAINT TWIST-STIK ORANGE (12/BOX)
635722	PAINT TWIST-STIK BLUE (12/BOX)
635723	PAINT TWIST-STIK GREEN (12/BOX)
635724	PAINT TWIST-STIK BLACK (12/BOX)
635725	PAINT TWIST-STIK PURPLE (12/BOX)
635726	PAINT TWIST-STIK FLORESCENT PINK (12/BOX)

TWIST STIK



Part No	Description
---------	-------------

635710	PAINT STIK ORANGE (12/BOX)
635711	PAINT STIK RED (12/BOX)
635712	PAINT STIK BLUE (12/BOX)
635714	PAINT STIK BRIGHT PINK (12/BOX)
635717	PAINT STIK BRIGHT GREEN (12/BOX)

PALS™

Supplier Of Choice

PALS: Poultry and Livestock Supplies

rx@palsusa.com

Fill your Scripts & VFDs here

1-800-328-8842

fax: (320) 235-8869

OUR ANIMAL HEALTH TEAM

OUTSIDE SALES



Dave Fischbach

320-894-6632

dave.fischbach@palsusa.com



Dale Berkner

320-905-7753

dale.berkner@palsusa.com



Marlin Beliveau

320-212-4815

marlinb@willmarpoultry.com

INSIDE SALES



Randy Young

Feed Ingredient Sales

320-235-8860 Ext 9523

randy.young@palsusa.com



Lee Fader

Water Solubles & Rx Sales

320-235-8860 Ext 9502

lee.fader@palsusa.com

"The Counter Guys"



RICK



LOREN



LARRY

Visit us online at: www.palsusa.com



DOSATRON®

WATER POWERED DOSING TECHNOLOGY

DM11F - 11 GPM

Dosatron Diaphragm Medicator



- Low flow starting at 0.02 GPM for day-old chicks and weaners; more flow as they grow
- Works under the toughest conditions
- Designed for:

- Medicating
- Water Treatments
- Vaccinating
- Sanitizing
- Supplements
- Chlorinating



www.dosatronusa.com

INTRODUCING

The Next Generation in Feed Safety and Animal Efficiency

AMASIL™
Formic Acid
by BASF



TABLE 1

Strongest Organic Acid			
ACID	pKa*	g/mol	Mol/kg
Formic	3.75	46	21.7
Acetic	4.75	60	16.7
Propionic	4.87	74	13.5
Butyric	4.82	88	11.3
Lactic	3.86	90	11.1
Benzoic	4.19	122	8.2
Ascorbic	4.10	176	5.7
Citric	3.08	192	5.2

*lower pKa = stronger acid

SAFE FEED

AMASIL is a feed acidifier that improves feed hygiene and modifies gut microflora for improved animal performance and reduced Salmonella transmission. Backed by 25 years of university and on-farm research, AMASIL is one of the strongest organic acids with the highest molecular density, allowing it to have a more complete and sustained antimicrobial effect in the feed, water and in the gut.

AMASIL is trusted in poultry diets and drinking water around the world.

**START YOUR TRIAL TODAY.
CONTACT US AT 1-800-780-9233.**

AMASIL NA is FDA approved for feed acidification (21 CFR § 573.696) and GRAS for use in drinking water for poultry and livestock (GRAS statement is available upon request).



BALCHEM
Real People. Real Science. Real Results.

POULVAC®
E. coli

STRENGTHEN YOUR FLOCK.

Defend against the risk of infectious diseases with Poulvac® E. coli. As part of a complete respiratory immunization program, it helps stop *E. coli* and colibacillosis before they can diminish bird performance and cause costly processing losses. Get the strength to help protect your birds and your bottom line. Visit zoetisUS.com/fullstrength to learn how.



IT'S THE RIGHT ANSWER

Final Exam Poultry Solutions 101



1. Regano[®]EX is the most trusted essential oil product in the market today.
2. Regano[®]EX promotes poultry health for conventional, ABF and organic producers.
3. Regano[®]EX helps poultry respond better to stress by supporting immunity and promoting gut health.
4. Regano[®]EX utilizes a patent-pending technology backed by decades of research.
5. Regano[®]EX does not require a VFD.

New Look,
Same Great
Product

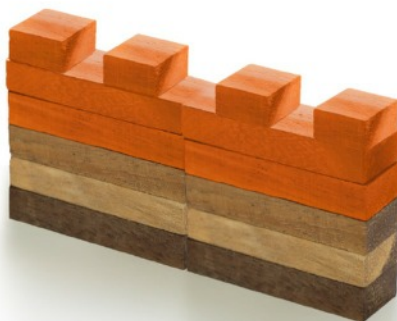


Regano[®] EX is the pinnacle of essential oil technology. Naturally promote the health and performance of poultry with the most trusted natural feed additive.

Proven solutions since 1980 to help you...

FORTIFY YOUR DEFENSE!

For over 35 years, Alltech has promoted animal health and performance. Now that the Veterinary Feed Directive is in effect, the medical use of antibiotics in animal feed has become more restricted. As we continue to reduce the use of antibiotics in the treatment of animals, nutritious feed that serves as a strong support system will become even more vital for your animals.



Alltech®
GUT HEALTH MANAGEMENT

ACTIGEN®, **BIO-MOS®**,
INTEGRAL® A+, **SELECT TC™**

Alltech®
MINERAL MANAGEMENT

BIOPLEX®, **SEL-PLEX®**,
ECONOMASE™

Alltech®
FEED EFFICIENCY

AMAIZE®, **FIBROZYME®**,
OPTIGEN®, **YEA-SACC®**

Strengthen your nutrition for profitable
and sustainable production.

Alltech®

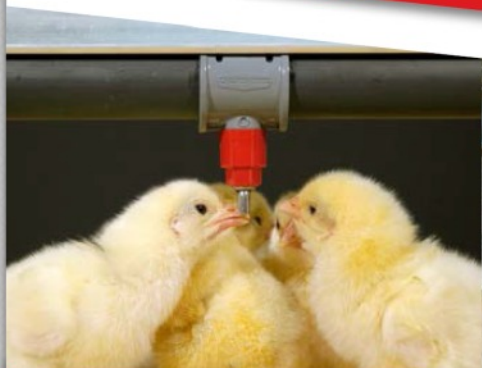
©2017. Alltech, Inc. All Rights Reserved.

CHORE-TIME Products for Poultry Production



CHORE-TIME

®



Chore-Time delivers the innovative systems you need
for complete production of Broilers,
Breeders and Turkeys.

Contact us today or visit
www.palsusa.com
for more information.

Tel. 320.235.8860
Toll-Free 800.328.8842
lori.kloster@palsusa.com

PALS™

Supplier Of Choice

PALS

3735 West 1st Ave, Willmar, MN 56201

Authorized Independent Chore-Time Distributor