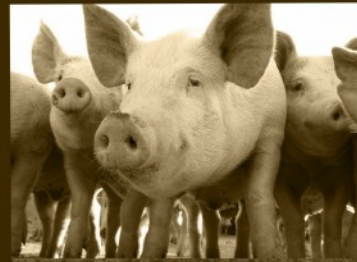


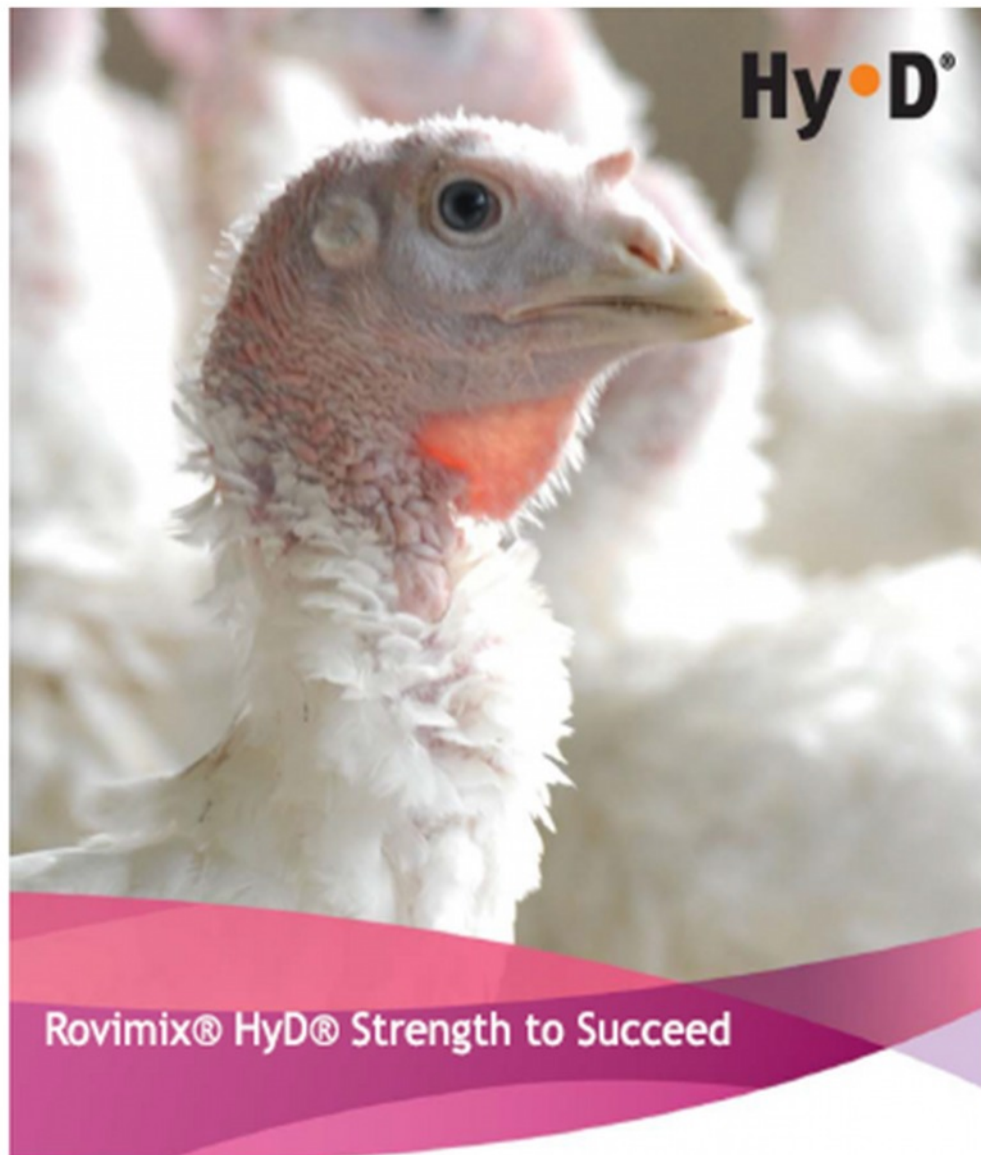
# **PALS**<sup>TM</sup>

Supplier Of Choice

## **2017 FEED ADDITIVES & MEDICATION PRODUCTS**



1-800-328-8842 • [www.palsusa.com](http://www.palsusa.com)  
3735 West 1<sup>st</sup> Ave • Willmar, MN 56201



When it comes to the challenges facing modern turkey production, even the proven benefits of vitamin D3 are not enough. Bone disorders and related health issues become magnified in production systems that continually push birds to grow bigger and faster, therefore more advanced solutions are necessary. **ROVIMIX® HY-D®**, backed by more than two decades of research and used successfully in the US poultry industry since 1999, provides the level of 25-hydroxyvitamin D3 proven to allow modern breeds to achieve their full genetic potential.



**DSM**

HEALTH • NUTRITION • MATERIALS

BRIGHT SCIENCE. BRIGHTER LIVING



Meet your goals with  
55% and more.

Biolys<sup>®</sup> has a higher concentration of L-Lysine than typically specified at 54.6%. This lowers feeds costs for pigs, poultry and aqua species, and increases the nutritional advantage over L-Lysine HCl. Evonik now guarantees this higher L-Lysine content and even certain nutrient contents from the biomass. With AMINONIR<sup>®</sup> the proof is only a fingertip away. Ask your Evonik representative for more details.

**30 DAYS GUARANTEE:**  
Cashback or product replacement.

**Biolys<sup>®</sup>**

animal-nutrition@evonik.com  
www.biolys.com



 **EVONIK**  
POWER TO CREATE

## PREVENTIVE HEALTH – RODENT CONTROL

# DON'T LET RODENTS SHUT DOWN YOUR OPERATION.

Rats and mice accelerate the spread of disease. **STOP** them before they cause too much **DAMAGE**.

Rodents are carriers of at least 35 diseases that plague animal production facilities. Some of these include:

- ▲ swine dysentery
- ▲ salmonellosis
- ▲ trichinosis
- ▲ bordetellosis
- ▲ leptospirosis
- ▲ pseudorabies
- ▲ erysipelas
- ▲ fowl cholera
- ▲ toxoplasmosis
- ▲ hantavirus
- ▲ plague



Because of their foraging habits, rodents accelerate the spread of diseases from contaminated areas to uncontaminated areas

Rats and mice spread diseases via their:

- ▲ droppings
- ▲ feet
- ▲ fur
- ▲ urine
- ▲ saliva
- ▲ blood

Rats and mice multiply quickly. A mouse can have 42-60 mice in one year.



- » Rodent control is a critical component of an integrated biosecurity program
- » More than 75% of producers rely on Motomco for their rodent control needs
- » Motomco baits deliver results even in the presence of competitive food choices

# MOTOMCO

THE WORLD LEADER IN RODENT CONTROL TECHNOLOGY®  
3699 Kinsman Blvd., Madison, WI 53704 U.S.A. • (800) 418-9242  
[www.motomco.com](http://www.motomco.com)

# MOTOMCO

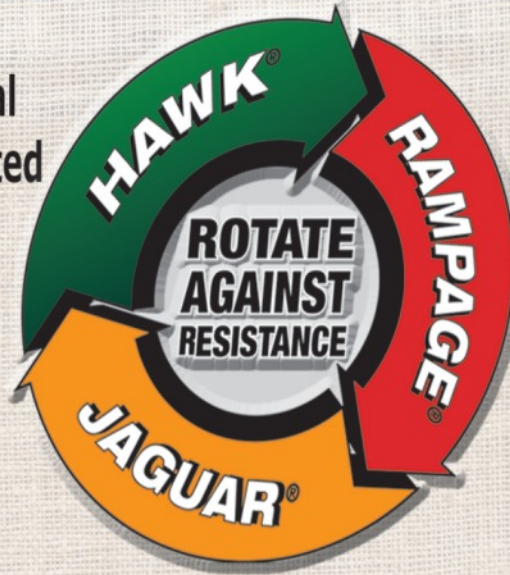
## Innovative Products Ensure A World-Class Biosecurity Program



▶ Rodent control is a critical component of an integrated biosecurity program

▶ More than 75% of all producers rely on MOTOMCO for their rodent needs

- Consistent palatability and control even in tough baiting situations
- Full complement of bait stations & mechanical traps for complete control
- More technical field reps & industry expertise



**MOTOMCO**

THE WORLD LEADER IN RODENT CONTROL TECHNOLOGY®  
3699 Kinsman Blvd., Madison, WI 53704 U.S.A. • (800) 418-9242  
[www.motomco.com](http://www.motomco.com)

## Feed: getting more value out of your nutritional strategies

Janet Snow, Elanco Technical Consultant



High feed costs appear to have become the new normal in the poultry industry. In 2000, feed represented about 50% of the total input costs per bird.<sup>1</sup> About a decade later, that figure had climbed to more than 60%.<sup>1</sup> Today, some estimates put feed costs at about 70% of total input.<sup>2</sup>

### Good performance, good economics

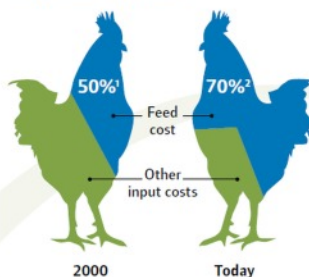
High feed costs put pressure on producers to use non-traditional feedstuffs to decrease costs. Such strategies require caution.

Reducing nutrient specifications can lower feed costs—but it can also lower performance and margin.<sup>3</sup> Plus, the presence of mycotoxins can be higher in poor-quality feed. Feed byproducts derived from ethanol production can contain up to three times greater concentrations of mycotoxins than the original grain.<sup>3</sup> Mycotoxins can hurt both birds and business in the form of reduced animal productivity and increased incidence of disease due to immunosuppression.

### Key points

- Today, feed represents the majority of total input costs,<sup>1,2</sup> making it imperative to optimize nutrition.
- *Full Value Poultry* takes a strategic approach to feed optimization, using products, anticoccidials and data-driven services.
- *Full Value Poultry* leverages consultative expertise to help producers maximize value from feed today while improving profitability in the long term.

### Feed is a growing percentage of input costs per bird



Today, feed costs are estimated to account for more than 7/8 of the input costs for a single bird.<sup>2</sup> Strategies to reduce feed cost and optimize efficiency are critical to maintaining a profitable operation.

A suppressed immune system can make it harder for birds to resist gut-damaging diseases, such as coccidiosis or enteritis. Poor intestinal integrity worsens feed efficiency and reduces gain, a lose/lose proposition. Birds require more feed (thus increasing costs), and they also produce less yield.

Producers are turning to various solutions to help offset these types of issues. Additives can be an effective option. Enzyme use, in particular, is growing in popularity. A 2013 WATT Nutrition and Feed Survey found nearly 40% of respondents planned to increase their level of enzyme use.

But the most effective strategy is one that takes a multi-faceted approach. Dr. Sam Pardue, head of the poultry science department at North Carolina State University, notes, "Sooner or later producers will have to rethink the formula that least cost formulation equals maximal profit."

The *Full Value Poultry* strategy works through multiple avenues in poultry operations, using a smart combination of products, services and analytics to help maximize profitability.

### Adding detail to the big picture

For many producers, the struggle is having specific expertise in the various options to improve feed conversion, performance and profitability. Nutritionists, veterinarians and economic forecasts provide targeted insights, but seeing them in the perspective of your whole operation can be a challenge. The Elanco *Full Value Poultry* strategy involves a portfolio of therapeutic products, anticoccidials and data-driven services to support bird health and performance, backed by consultative expertise to help producers make informed decisions. The pillars of *Full Value Poultry*—health, feed, output and access—help producers look at issues like feed cost in a broader context. Decisions can then be considered from many angles, for a feed cost strategy that looks beyond short-term savings, to supporting your operation in the long run.



The four pillars of *Full Value Poultry*, backed by expertise, products and services, help producers make informed, strategic decisions to maximize operational profitability.

<sup>1</sup> "Dr. Sam Pardue on The Future of Poultry," Oct. 2011. BioResource International, Inc. website. Accessed 12/16/13. Available at: <brworldwide.com/dr-sam-pardue-on-the-future-of-poultry#sthash.kiXfyM8r.dpss>.

<sup>2</sup> Aviagen. Oct. 2007. "Economic Approach to Broiler Production." The Poultry Site. Accessed 12/17/13. Available at: <www.thepoultrysite.com/articles/894/economic-approach-to-broiler-production>.

<sup>3</sup> Whitlow, L., Hagler Jr. W., and Diaz, D. Sept. 2010. "Mycotoxins in feeds." Feedstuffs.

<sup>4</sup> Jennison, K., and Plantz, B. April 2013. "2013 poultry nutrition survey offers mixed views." WATTAgNet.com website. Accessed 12/17/13. Available at: <www.wattagnet.com/2013\_poultry\_nutrition\_survey\_offers\_mixed\_views.html>.

Elanco®, *Full Value Poultry*™ and the diagonal bar are all trademarks owned or licensed by Eli Lilly and Company, its subsidiaries or affiliates. © 2015 Elanco Animal Health. All rights reserved. USBUNON01321



## TABLE OF CONTENTS

INJECTABLES.....	1
WATER SOLUBLE.....	5
FEED ADDITIVES.....	13
FEED MEDICATION.....	20
SALT.....	25
INSECTICIDE.....	26
LITTER TREATMENT.....	30
RODENTICIDE.....	31
BIRD REPELLENT.....	34
REGAL.....	35
CHEMILIZER.....	36
STENNER.....	43
DOSATRON.....	47
DIVERSIFIED.....	57
PARTS.....	58
SANITATION.....	60
BOOTS.....	71
INJECTION.....	73
LIVESTOCK MARKERS.....	74

Please call or visit our website, [www.palsusa.com](http://www.palsusa.com),  
if you have any questions about other  
additives, medications, and parts.  
This is just a portion of what we handle.  
Thank you!

This Medication Catalog was produced  
for you by the enclosed advertisers.



**[rx@palsusa.com](mailto:rx@palsusa.com)**

Fill your Scripts & VFDs here

# INJECTABLES



## AE



Part No	Description
013032	POXINE AE-(PFIZER) 10x1000DS

## AE



Part No	Description
013094	AE (MERIAL) TRMOR BLEND \ 25x1000DS

## ART VAX



Part No	Description
013250	ART VAX \ 10x1000DS

## AUTOGENOUS

Part No	Description
013755	AI AUTOGENOUS H1/H3 (.25CC) 1000 DS \ 20X250CC

## AVI-LUTION

Part No	Description
013779	AVI-LUTION 1 LB SLEEVE \ PKG

## BLUE DYE

Part No	Description
013775	BLUE DYE \ 10x30ml (special order)

## CHOLERA



Part No	Description
013203	AVIPRO 108 FC4 CHOLERA (LAH) 1 3 4 X x 4 (.5CC) \ 10x1000 (sp-ordr)

013265	CHOLERA M-NINEVAX-C (Multimune M) \ 10x1000DS
--------	--

013198	AVIPRO 108 FC3 CHOLERA 1 3 4 2000ds \ 20x500CC
--------	---

## DURAMYCIN (Vetrimycin)



Part No	Description
013553	Rx VETRIMYCIN 200 (LA 200) \ 12x500CC



PHONE  
800-328-8842

# INJECTABLES

## ERYBAC



Part No	Description
013016	ERYBAC FD \ 1000DS (special order)

## GARASOL



Part No	Description
013144	Rx GARASOL (Gentamycin sulfate) 100 MG /ML \12x100ML

## ERYSIPELAS



Part No	Description
013151	Rx E R BAC PLUS (ERYSIPELAS) BACTERIN 1000Ds \ 12X500ML

## HE



Part No	Description
013605	HE ORALVAX \ 5x2000DS
013607	HE ORALVAX
013616	HE AVIAN ADENONUNE II \ 10x5000DS (special order)
013624	HE ARKO \1000DS
013626	HE ARKO \5000DS

## FIRST PULSE



Part No	Description
013781	FIRST PULS D 250ml \ 12x250ML
013788	FIRST PULSE DRENCH GUN

## IRON DEXTRAN



Part No	Description
013375	IRON DEXTRAN 100 \ 12x100CC

# INJECTABLES



## MEGA PRO



---

Part No	Description
013148	MEGA PRO D 250ml \ 6X250ml

---

## NEWCASTLE B1 LASOTA



---

Part No	Description
013035	NEWCASTLE B1 LASOTA (Pfizer) \ 10x5000DS

---

## MULTIMUNE



---

Part No	Description
013200	MULTIMUNE K5 TYPES 1 3 4 2(3x4'S) \ 10x1000ds

---

## PMV3



---

Part No	Description
013496	PMV3 / NDV (.25) \ 20x1000DS

---

## NEWCASTLE B1 B1



---

Part No	Description
013505	NEWCASTLE B1 B1 (MERIAL) \ 25x5000DS

---

## POULVAC



---

Part No	Description
013045	POULVAC ECOLI \ 10x5000DS

---

# INJECTABLES

## REO

Part No	Description
013701	REO KILLED AUTOGENOUS 1000DS (.25CC) \ 250ml BOTTLE

---

## VACCINE STABILIZER



## STABBERS

Part No	Description
013547	STABBERS (POXINE & M-NINE VAX) \ EACH (special order)

---

Part No	Description
013006	VAC-PAC \ 75x4 OZ PKG
013008	VAC-PAC PLUS DYE \ 75x4o z PKG
013573	STABIL VAC NO DYE \ 25x1 LB /48 / PALLET
013010	VAC-PRO-TEC W/ DYE (INI) \ 35x1 LB/

---

## TYLAN



Part No	Description
013457	Rx TYLAN 200 INJ 500 \ 12x500CC (special order)

---

# WATER SOLUBLE



## ACID-MAXX



Part No	Description
020262	ACID-MAXX 4 WAY 2X \ 50x227 gram/CASE

## ACID-PAC



Part No	Description
020259	ACID-PAK 4-WAY LIQUID\ 4x1 gal 3(special order)

## ACIDIFIED COPPER



Part No	Description
020140	ACIDIFIED COPPER PKG \ 40x1 LB

## AMMONIA



Part No	Description
020007	AMMONIA 3% \ 8x64 OZ

## AMPROL



Part No	Description
020031	AMPROL (CORID) SOL POWDER 128 \ 24x10 OZ

## AMPROLIUM



Part No	Description
020023	AMPROLIUM (P) 9.6% \4x1 GAL/36 CS/Pt
020028	(White box) AMPROL 9.6% \ 4x1 GAL

## AVI-BAC



Part No	Description
020466	AVI-BAC PLUS\10x250 GRAM

PHONE  
800-328-8842

# WATER SOLUBLE

## ASPIRIN



Part No	Description
020098	ASPIRIN (UNI-SOL) \ 4x1 GALLON
020100	ASPIRIN (UNI-SOL) 460 GM \ 12x1 LITER
020102	OralPro Sodium Salicylate (ASPIRIN) 60% w/ Caf 4x1 Gallon
020112	ASPIRIN LIQUID (ANAPRIN LQ-PM) \ 12x32 oz
020159	ASPIRIN LIQUID (ASPRISOL) \ 12x1 QUART

## AVI-LYTE



Part No	Description
020462	AVI-LYTE FOR POULTRY \ 50

## BMD



Part No	Description
020926	BMD SOLUBLE \ 50 x 5

## CITRIC ACID



Part No	Description
020238	CITRIC ACID-410 GM (INI/AS) \ 30x14.5 OZ

## ELECTROLYTE



Part No	Description
020176	ELECTRO-PAK w/ Stabil C \ 35x1 LB
020177	ELECTROLYTE PAK \ 35x1 LB \ 48 CS/PALLET
020181	ELECTROLYTE PLUS / 50x12.5 OZ
020241	ELECTROLYTE PAK \ 20x2 LB
020178	ELECTROLYTE BULK \ DRUM 40 LB (special order)

## EMA-SOL



Part No	Description
020931	MCA-SOL (EMA-SOL) \ 4x1 GAL \ 48 CASES/PALLET

# WATER SOLUBLE



## EQUISUL



Part No	Description
---------	-------------

020003	Rx EQUISUL-SDT Aurora Pharmaceutical 900ml
--------	---

## FLORAMAX



Part No	Description
---------	-------------

020400	FLORAMAX B11(20,000 DS) \BOTTLE 140 gram
--------	---

## FLORASTART



Part No	Description
---------	-------------

020410	FLORASTART 10,000 8/CASE
--------	-----------------------------

020407	FLORASTART C 10,000DS
--------	-----------------------

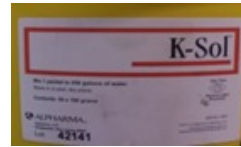
## HY-D



Part No	Description
---------	-------------

020152	HY-D SOLUTION \ 12x1 QUART
--------	-------------------------------

## K SOURCE



Part No	Description
---------	-------------

020875	K SOURCE \ 65x188 GM (K-SOL)
--------	---------------------------------

## LC ENERGY

Part No	Description
---------	-------------

020871	LC ENERGY 5 LITER JUG \ 4/CASE
--------	-----------------------------------

## LINCOMYCIN



Part No	Description
---------	-------------

020155	Rx SPEC LINX-LS 50 75 gm \ 12x2.55 OZ
--------	--

020154	Rx LINCOMYCIN SOLUBLE 80GM \ 25x80GM
--------	---

# WATER SOLUBLE

## LINXMED



Part No	Description
020148	Rx LINXMED SOLUBLE POWDER 80 GM
020149	Rx LINCOMYCIN SOLUBLE (LinxMed-SP) 192gm \ 6X480gm

## MANAGE



Part No	Description
020933	MANAGE 1 GALLON 4/CASE
020934	MANAGE 5 GAL \ DRUM
020935	MANAGE 55 GAL \ DRUM

## MIN-E-PLEX



Part No	Description
020920	MIN-E-PLEX \ 4x1 GAL

## MUCUSOL



Part No	Description
020927	MUCUSOL 1 GALLON 4/CASE
020932	MUCUSOL 1 LITER BOTTLE 12/CASE

## NAXCEL



Part No	Description
020014	Rx NAXCEL (CEFTIFLEX) 4GM \ 6x6/ CASE

## NEOMIX

Part No	Description
020256	Rx NEOMIX / BIOSOL LIQUID 66GM \ 12x1 PINT

## NEOMED



Part No	Description
020254	Rx NEWMED 325 50G \ 50x100 GM

# WATER SOLUBLE



## OPTIMIZER



Part No	Description
020405	OPTIMIZER II \ 4x1 GAL

## PENNCHLOR



Part No	Description
020017	Rx PENNCHLOR 64 (CTC) 102 GRAM\24x25.6OZ

## OXYTET



Part No	Description
020033	Rx OXYTET 102.4 \ 50x280GM
020036	Rx OXYTET 512 gram \ 10x1400 GM

## PENICILLIN



Part No	Description
020290	Rx BOX .5 BILLION BIMEDA PENNICILLIN 12/BOX
020291	Rx BOX 1 BILLION BIMEDA PENNICILLIN 12/BOX
020292	Rx R-PEN BUCKET 5 BILLION UNIT 25/PAIL
020293	Rx R-PEN BUCKET 1 BILLION 12/PAIL

## PALS VITAMIN



Part No	Description
020322	PALS VITAMIN PACKS + \ 40x8 OZ

## PENNOX 343



Part No	Description
020042	Rx PENNOX 343 (OXYTET) 512G \ 24x23.9OZ/20 BOXES

## PARAGON

Part No	Description
020915	PARAGON VIT AD3 & E 1 QUART



PHONE  
800-328-8842

# WATER SOLUBLE

## POULT-VIT



Part No	Description
020853	POULT-VIT \100x4 OZ (POULT PAK) VITAMINES AND ELECTROLYTE

## PH

Part No	Description
020416	PH LOW 1 GALLON

## POULTRY WATER TREATMENT



Part No	Description
020414	AQUAPHIER (PWT) \ 40x1 LB
020415	POULTRY WATER TREATMENT BULK (PWT) \ DRUM 40 LBS

## POWER SWEET



Part No	Description
020350	POWER SWEET SOLUBLE 50x1lb pkg

## PROHIBIT



Part No	Description
020436	LEVASOLE (PROHIBIT)

## REGANO



Part No	Description
020472	REGANO LIQUID 4X \ 4x1 QT BOTTLE

## SAFEGUARD



Part No	Description
020526	Rx SAFEGUARD AQUASOL GALLON (fenbendazole)

# WATER SOLUBLE



## SKIN JOY



Part No	Description
020166	SKIN JOY 16.9OZ

## TETROXY



Part No	Description
020046	Rx TETROXY 512 \ 10x1400GM

## SULFA TRIM



Part No	Description
020008	Rx SULFA TRIM (SMZ/ TRIMETHOPRIM) \12x1 PINT

## VALBAZEN



Part No	Description
020451	Rx VALBAZEN (albendazole) 11.36% 2x5 LITTER btl
<b>SOLD BY CASE</b>	
020452	Rx VALBAZEN (albendazole) 11.36% \ 4x1 LITTER BTL

## SULFOROL



Part No	Description
020451	Rx SULFADIMETHOXINE (SULFOROL) \4x1 GAL (ALBON)

## VINEGAR DRY CIDER



Part No	Description
020261	VINEGAR DRY CIDER \50x8OZ PKG (VIN-A-MAX)
020263	VINEGAR DRY CIDER 50x8OZ PKG (BVS) (special order)

# WATER SOLUBLE

## VITAMIN C



Part No	Description
020866	VITAMIN C STABILIZED (case only) \ 50x219GM

## WAZINE



Part No	Description
020315	WAZINE 34 \ 4x1 GAL
020316	WAZINE 34 \ 5 GAL PAIL

## VITAMIN E



Part No	Description
020151	VITAMIN E \ 12x32OZ

## ZINPRO



Part No	Description
020302	ZINPRO 180 (zinc methionine complex) \ 50X6.67oz pkg

## VITEC



Part No	Description
020464	VITEC POULTRY \ 4x1 GAL

# FEED ADDITIVES



## ACTIGEN



Part No	Description
009910	ACTIGEN 55.1 LB BAG

## ALLYZME



Part No	Description
009425	ALLZYME SSF (special order) 5.1 LB BAG

## BETAIN

Part No	Description
009805	BETAIN 96 25 Kg 55.1 LB BAG

## BIOTIN



Part No	Description
009848	BIOTIN 100 (special order) 50 LB BAG

## BIOSUPREME LIQUID

Part No	Description
009131	BIOSUPREME LIQUID 2.5 GL JUG

## BIOLYS



Part No	Description
009920	BIOLYS 25 Kg 55.1 LB BAG
009921	BIOLYS 1000 KG 2204 LB TOTE

## BIO-MOS



Part No	Description
009420	BIO-MOS 55.1 LB BAG

## BIRTHRIGHT



Part No	Description
009751	BIRTHRIGHT MILK REPLACER

PHONE  
800-328-8842

# FEED ADDITIVES

## CHOLINE CHLORIDE LIQUID



Part No	Description
009888	CHOLINE CHLORIDE LIQUID 70% 2500LB TOTE

## CHOLINE CHLORIDE



Part No	Description
009890	CHOLINE CHLORIDE 60% (52% CHOLINE) 55.1 LB BAG
009886	CHOLINE CHLORIDE 60% (52% CHOLINE) TOTE 2000 LBS

## CITRIC ACID



Part No	Description
009246	CITRIC ACID 50LB BAG

## COPPER SULFATE



Part No	Description
009148	COPPER SULFATE 2000LB TOTE
009150	COPPER SULFATE 50LB BAG

## DICAL



Part No	Description
009302	DICAL 18.5% 50LB BAG

## DIAMOND V XPC



Part No	Description
009421	DIAMOND V XPC YEAST 50LB BAG

## EARLY BIRD

Part No	Description
009305	EARLY BIRD SUPPLEMENT 15 LB PAIL

# FEED ADDITIVES



## ENDOX



Part No	Description
009412	STOP-OX (ENDOX) 55.1 LB BAG

## FSE MINERAL



Part No	Description
009748	(Brown bag) FSE TRACE MINERAL PLUS #125

## FSE VITAMIN



Part No	Description
009760	FSE #141 VITAMIN PMX 50 LB BAG

## GRIT



Part No	Description
009209	GRIT #1 50 LB BAG
009210	GRIT #2 50 LB BAG
009211	GRIT #3 50 LB BAG
009212	GRIT #4 50 LB BAG

## HEMICELL

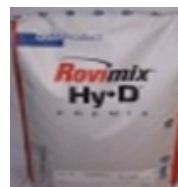
Part No	Description
009729	HEMICELL-HT 1.5x25 Kg 55.1 LB BAG

## HORSE RELIEF



Part No	Description
009703	RALCO HORSE RELIEF 50 LB BAG

## HY-D



Part No	Description
009909	HY-D 83.3 MG/LB 55.1 LB BAG
009913	HY-D 83.3 MG/LB (special order) 1000KG 2204 LB TOTE

# FEED ADDITIVES

## INTEGRAL A+



Part No	Description
009701	INTEGRAL A+ 25 kg 55.1 LB BAG

## INTEGRAMOS



Part No	Description
009418	INTEGRAMOS 55.1 LB BAG

## LYSINE



Part No	Description
009901	LYSINE 98.5% (ADM) 25 KG 55.1 LB BAG
009902	LYSINE 98.5% (ADM) 1000 KG 2204 LB TOTE

## MAGNESIUM OXIDE

Part No	Description
009017	MAGNESIUM OXIDE 58% 50LB BAG

## METHIONINE



Part No	Description
009801	METHIONINE DL 99% EVONIK 25 Kg 55.1 LB BAG
009802	METHIONINE DL 99% EVONIK 1000 Kg 2204 LB TOTE

## MONOCAL



Part No	Description
009306	MONOCAL (DICAL) (BioPhos) 2.1% 50 LB BAG

# FEED ADDITIVES



## PHYTASE



Part No	Description
009610	PHYTASE (RONOZYME / PHYZYME) 1200 50 LB BAG

## SHELL & BONE



Part No	Description
009298	SHELL & BONE/CAGE CAL (LIMESTONE) 50 LB BAG

## RALCO



Part No	Description
009172	RALCO KICKSTART STARTER NP (No Porcine) 50 LB BAG

## SODIUM BENTONITE



Part No	Description
009710	SODIUM BENTONITE VOLCLAY (special order) 50 LB BAG

## REGANO

Part No	Description
009707	REGANO EX \ 2x25 LB BOX

## SODIUM BICARBONATE



Part No	Description
009804	SODIUM BICARBONATE 2000 LB TOTE
009799	SODIUM BICARBONATE 50 LB BAG

## SALT MIXING



Part No	Description
009202	SALT MIXING-TOP FLOW BAGS 50 LB BAG



PHONE  
800-328-8842

# FEED ADDITIVES

## METHININE



Part No	Description
009822	SUMITOMO METHININE TOTE 1000 KG 2204.6 LB

## THREONINE



Part No	Description
009850	THREONINE AJINOMOTO 25 KG 55.1 LB BAG
009851	THREONINE AJINOMOTO 1000 KG 2204 LB TOTE

## THREONINE



Part No	Description
009840	ADM THREONINE ADM 25 Kg 55.1 LB BAG
009852	ADM THREONINE ADM 1000 Kg 2204 LB TOTE

## TRYPTOPHAN

Part No	Description
009741	TRYPTOPHAN 22 LB BAG
009742	TRYPTOPHAN FUFENG 22 LB 10 KG BAGS
009008	TRYPTOPHAN (special order) 44 LB

## UNICAL



Part No	Description
009007	UNICAL M/PURECAL 16 (LIMESTONE) 50 LB BAG

## VITAMIN E



Part No	Description
009855	VITAMIN E 20,000 UNIT / LB 50 LB BAG

# FEED ADDITIVES



## BYPASS FAT



<b>Part No</b>	<b>Description</b>
009357	BYPASS FAT 99 (special order) 50lb BAG HYDROLYZED FAT

---

## SUPERCHARGER



<b>Part No</b>	<b>Description</b>
009355	SUPERCHARGER (special order) 50lb BAG RUMAN BYPASSFAT

---

## ENERGY BOOSTER



<b>Part No</b>	<b>Description</b>
009640	ENERGY BOOSTER 100 (special order) 50lb BAG HYDROLYZED FAT

---

# FEED MEDICATION

## AMPROLIUM



Part No	Description
---------	-------------

005521	AMPROLIUM (POULTRY) (special order) 2.5% TYPE B 50 LB BAG
--------	---

## AVATEC



Part No	Description
---------	-------------

005795	AVATEC 50 LB BAG
--------	------------------

## AUREOMYCIN



Part No	Description
---------	-------------

005589	VFD AUREOMYCIN 100 (CTC) GRANULAR 50 LB BAG
005001	VFD AUREOMYCIN 50 GRANULAR (CTC) 50 LB BAG
005006	VFD AUREOMYCIN 50 (special order) MEAL (CTC) 50 LB BAG
005012	VFD AUREOMYCIN 100 (CTC) GRANULAR TOTE 2000 lb (special order)

## BACITRACIN 50



Part No	Description
---------	-------------

005567	BACITRACIN BMD 50 50 LB BAG
--------	--------------------------------

## BACITRACIN 60



Part No	Description
---------	-------------

005569	BACITRACIN BMD 60 50 LB BAG
--------	--------------------------------

# FEED MEDICATION



## BEEF COX



Part No	Description
---------	-------------

005050	BEEF COX/ COCCI CURB 10X DECCOX .5% TYPE B 50 LB (special order)
--------	--

## DECCOX



Part No	Description
---------	-------------

005013	DECCOX (special order) 50 LB BAG
--------	-------------------------------------

## CLINACOX



Part No	Description
---------	-------------

005830	CLINACOX 50 LB BAG
--------	--------------------

## DENAGARD



Part No	Description
---------	-------------

005820	DENAGARD 10 GM 35 LB BAG
--------	-----------------------------

## COBAN



Part No	Description
---------	-------------

005806	COBAN 90 BAGS 55.1 LB
--------	-----------------------

## FLAVOMYCIN



Part No	Description
---------	-------------

005360	FLAVOMYCIN 4 GRAM 50 LB BAG
--------	--------------------------------

# FEED MEDICATION

## LINCOMIX



Part No	Description
005920	VFD LINCOMIX 20 GM 50 LB BAG

## MECADOX



Part No	Description
005777	MECADOX 10 TYPE A (special order) 40 LB BAG
005779	MECADOX 2.5 TYPE B 40 LB BAG

## NEO-OTC



Part No	Description
005781	VFD PENN NEO-OTC 10-10 TYPE B 50 LB BAG

## PAYLEAN



Part No	Description
005751	PAYLEAN 2.25 50LB BAG
005750	PAYLEAN 9 25LB BAG

## PENNCHLOR



Part No	Description
005583	VFD PENNCHLOR G (CTC) 100 GRANULAR (Dark Green) 50 LB BAG
005586	VFD PENNCHLOR (CTC) 50 MEAL (Dark Green 50LB)
005588	VFD PENNCHLOR 50 (CTC) GRANULAR (Lime Green) 50 LB BAG
005590	VFD PENNCHLOR SP (ASP) 250 50LB BAG

# FEED MEDICATION



## PENNOX



Part No	Description
---------	-------------

005597	VFD PENNOX/TM (OTC) 200 (BLUE 50 LB BAG)
--------	---

005595	VFD PENNOX (OTC) 50 (REDDISH ORANGE 50 LB BAG)
--------	--

## PULMOTIL



Part No	Description
---------	-------------

005742	VFD PULMOTIL 18.1 VFD TYPE B 50 LB BAG
--------	---

## STAFAC



Part No	Description
---------	-------------

005009	VFD STAFAC 20 50LB BAG
--------	------------------------

## SAFEGUARD



Part No	Description
---------	-------------

005130	SAFEGUARD 10 lb 2.72 GM TYPE B \ 5x10 LB BAGS-BAILER
--------	--

005132	SAFEGUARD (FENBENDAZOLE) 1.96% TYPE B BAG 50 LB
--------	---

005134	SAFE-GUARD 20% (90 GRAMS) 25 LB BAG
--------	--

## TERRAMYCIN



Part No	Description
---------	-------------

005605	VFD TERRAMYCIN 50 (special order) 50 LB BAG
--------	--

rx@palsusa.com  
Fill your Scripts & VFDs here

# FEED MEDICATION

## TYLAN



<b>Part No</b>	<b>Description</b>
005027	VFD TYLAN 100 50LB BAG
005030	VFD TYLAN 40 50LB BAG
005031	VFD TYLAN 10 TYPE B 50LB BAG

## ZOAMIX



<b>Part No</b>	<b>Description</b>
005003	ZOAMIX 50LB BAG

# SALT



<b>Part No</b>	<b>Description</b>
060080	SALT (RED OUT PELLETS) BAG 40 LB



<b>Part No</b>	<b>Description</b>
060072	SALT SOLAR SOFTENER SALT 40LB BAG



<b>Part No</b>	<b>Description</b>
060050	SALT QUICK MELT CALCIUM CHLORIDE 50LB



<b>Part No</b>	<b>Description</b>
060051	SALT QUICK MELT CALCIUM CHLORIDE 40 LB PAIL



<b>Part No</b>	<b>Description</b>
060060	SALT ICE MELT 50LB BAG (SPECIAL ORDER)



PHONE  
800-328-8842

# INSECTICIDE

## ANNIHILATOR



Part No	Description
045446	ANNIHILATOR POLYZONE 1 PINT 16/CASE

---

## BEETLE SHIELD



Part No	Description
045445	BEETLE SHIELD (RABON) 6% DUST / BAG 10LB

---

## BP-100



Part No	Description
045204	BP-100 \ 4x1 GAL

---

## BORIC ACID



Part No	Description
045431	BORIC ACID GRANULAR 50LB BAG
045429	ZONE DEFENSE (Darkling Beetle Control) BORIC ACID \ BAG 50LB

---

## DELTAGARD



Part No	Description
045214	DELTAGARD 16OZ

---

## DURASHIELD



Part No	Description
045415	DURASHIELD CS \ 4x12OZ BOTTLE (special order) (license required)

---

# INSECTICIDE



## ELECTOR PSP



Part No	Description
045449	ELECTOR PSP \ 24 8OZ BOTTLE/CASE

## FLY RIBBON



Part No	Description
045116	LURE FLY RIBBON 100/BOX

## EXILE CS



Part No	Description
045003	EXILE CS PREMISE SPRAY 8OZ

## GOLDEN MALRIN



Part No	Description
045005	GOLDEN MALRIN \ 6x5 LB
045010	GOLDEN MALRIN \ 24x1 LB

## EXILE DB



Part No	Description
045435	EXIDE DB INSECTICIDE \ 8x30OZ BOTTLE (like Credo D)

## MALATHION



Part No	Description
045210	MALATHION LIQ 57% \ 2x2.5 GAL

# INSECTICIDE

## NEOPREX



Part No	Description
045419	NEOPREX (CYROMAZINE) \ BAG 4x11 LB

## PERMETHRIN



Part No	Description
045205	PERMETHRIN SFR \ 4x1 GAL
045500	PERMETHRIN 10% (WJC) 12x 32 OZ

## PRO ZAP STRIPS



Part No	Description
045117	PRO ZAP INSECT GUARD STRIPS \ 12/CASE

## PRO ZAP FOGGER



Part No	Description
045504	PROZAP LD44Z FARM INSECT FOGGER 20OZ

## PT FLY BAIT



Part No	Description
045023	PT ALPINE PRESSURIZED FLY BAIT 6/CASE

## RABON



Part No	Description
045425	RABON 50% WP \ 6x4 LB

# INSECTICIDE



## QUICK STRIKE



Part No	Description
045025	QUICKSTRIKE FLY SCATTER BAIT 5LB
045026	QUICKSTRIKE FLY SCATTER BAIT 40 LB
045115	FLY STRIP QUICKSTRIKE \ 12x2 PKG/CASE

## QUICKBAYT



Part No	Description
045022	QUICKBAYT \ 35 LB PAIL
045020	QUICKBAYT \ 4x5 LB

## QUICKBAYT



Part No	Description
045024	QUICKBAYT SPOT SPRAY \ 6X16 oz pail

## STRYKER



Part No	Description
045004	STRYKER 1 PINT

## TEMPO



Part No	Description
045424	TEMPO DUST 1% \ 4x10LB BAG
045426	TEMPO 20% WP \ 6x420 GM JAR/CS
045426	TEMPO SC ULTRA \ 12x240 ML/CS

## ZETAGARD



Part No	Description
045011	ZETAGARD 25LB BAG

PHONE  
800-328-8842

# LITTER TREATMENT

## MICROTREAT P



<b>Part No</b>	<b>Description</b>
045413	MICROTREAT P \ 10x500 GRAM PKG

---

## POULTRY LITTER TREATMENT



<b>Part No</b>	<b>Description</b>
045414	POULTRY LITTER TREATMENT PLT 50LB BAG

---

## POULTRY GUARD



<b>Part No</b>	<b>Description</b>
045558	POULTRY GUARD \ BAG 50 LB

---

# RODENTICIDE



## BOOTHILL



Part No	Description
045443	BOOTHILL MINI BLOCK 1 OZ \ 4x10 LB PAIL/CASE

## FASTDRAW



Part No	Description
045407	FASTDRAW SOFT BAIT 16 LB PAIL

## CYKILL



Part No	Description
045540	CYKILL BLOCKS 9 LB \ 4x9LB PAIL

## GUNSLINGER



Part No	Description
045464	GUNSLINGER MINI BLOCK \ 4 PAILS/CASE

## DI-KILL



Part No	Description
045212	DI-KILL BLOCKS \ 18 LB PAIL

## HAVOC



Part No	Description
045403	HAVOC XT BLOCK \ 10 LB PAIL

# RODENTICIDE

## HAWK



Part No	Description
045370	HAWK PELLETS 1.5OZ \ 2x86 PKG/CASE
045381	HAWK CHUNX \ 4x18 LB PAIL/CASE

## JAGUAR



Part No	Description
045352	JAGUAR SOFT BAIG 16LB

## HOMBRE



Part No	Description
045454	HOMBRE PLACE PAK .9OZ \ 4x200 PKG/CASE

## MOLE AND GOPHER



Part No	Description
045392	MOLE AND GOPHER BAIT / 12x1 LB JAR/CASE

## JAGUAR



Part No	Description
045350	JAGUAR \ 4x18 LB PAIL/CASE
045385	JAGUAR BULK PELLET \ 12 LB PAIL
045351	JAGUAR PLACE PACKS 16.5LB

## RAMPAGE



Part No	Description
045279	RAMPAGE 15 GM \ 121 pkg/pail 2 PAIL/CASE
045280	RAMPAGE CHUNX 15 GM \ 4x4 LB PAIL/CASE
045282	RAMPAGE CHUNX 15 GM \ 4x9 LG PAIL/CASE

# RODENTICIDE



## REVOLVER



Part No	Description
045451	REVOLVER SOFT BAIT 16LB

## TOMCAT LIQUID



Part No	Description
045391	TOMCAT LIQUID RAT BAIT \ 8/BOX (special order)

## TOMCAT



Part No	Description
045390	TOMCAT GLUE BOARD RAT \ 12x2 PKG/CASE

## TOMCAT TRAPS



Part No	Description
045437	BAIT STATION (HEAVY DUTY) \ 6 PER CS
045388	TOMCAT MOUSE TRAPS 2 PAK \ 18 PAK/CASE

## TOMCAT BAIT STATION



Part No	Description
045439	BAIT STATION (Top loader black plastic) 6/CASE
045387	TOMCAT KEYLESS MOUSE BAIT STATION \ 12/CASE
045440	BAIT STATION BULLET \ 6 PER CS
045441	BAIT STATION VERTICAL \ 6 PER CASE

## TIN CAT



Part No	Description
045438	TIN CAT MOUSE TRAP



PHONE  
800-328-8842

# BIRD REPELLENT

## BD 135



<b>Part No</b>	<b>Description</b>
045520	BD 135 BLOCK POUCH BIRD REPELLENT
045522	BD 135 GRANULE POUCH BIRD REPELLENT
045524	BD 135 GRANULE POUCH 25 LB BIRD REPELLENT
045525	BD 135 BLOCK POUCH BIRD REPELLENT 6PK
045526	BD 135 GRANULAR POUCH BIRD REPELLENT 6PK

# REGAL



**WE ARE DISCONTINUING REGAL  
THESE ARE THE PARTS THAT WE HAVE ON HAND**

## REPAIRS



<b>Part No</b>	<b>Description</b>
097302	REGAL NOZZLE 5A
097315	REGAL 3/8" O.D. VAC TUBE 1/4" I.D.
097352	REGAL INLET FILTER UP TO 250 PPD

## PARTS

<b>Part No</b>	<b>Description</b>
097301	REGAL REPAIR KIT FOR VAC REG
097303	REGAL SPAR PARTS KIT
097304	REGAL CHECK VALVE STAT O-RING
097305	REGAL 3/8" VACUUM TUBE FITTING W/ CAP
097310	REGAL DIAPHRAGM (A-300 ASSMB.)
097311	REGAL DIAPHRAGM BOLT
097312	REGAL RATE VALVE STEM SEAL / A-300 CHECK VALVE SEAL
097313	REGAL DIAPHRAGM NUT (A-300 ASSMB.)
097317	REGAL LEAD GASKET
097322	REGAL NOZZLE 17A
097324	REGAL METERING TUBE ASSY 10 PPD-200 GR/HR

Visit our website [www.palsusa.com](http://www.palsusa.com)  
for more product!

# Chemilizer

## A Medicator is only as Strong as its Motor

### Longest-Lasting Motor in the Industry

The Chemilizer is the only medicator in the industry to combine diaphragm pump technology and chemical by-pass design. These 2 features result in the most durable motor in the animal production industry.

### The Original Diaphragm Pump

The Chemilizer is the first pump to use diaphragm technology. The diaphragm pump is your best option when working with a low flow or tough water source. Pump pond and well water without the use of a filter.

### By-Pass Chemical Injection Design

Most medicators on the market today expose their motors to corrosive chemicals, damaging the motor and leading to costly repairs or replacements. With the by-pass chemical injection design of the Chemilizer, the motor is protected from the corrosive chemicals and lasts longer.

### Features and Benefits

- Water driven pump, no electricity required
- The diaphragm design works with tough water sources
- The by-pass injection and Silicone and Viton components decrease chances of chemical corrosion
- Low-cost, minimal maintenance required
- Available in six different dilution ratios

### Specs

Housing	Polypropylene
Water Pressure	3-85 PSI, 0.2-5.8 bar
Water Flow	.02-11 GPM, 5-2,500 l/h
Maximum Temperature	100° F (38° C)
Minimum Temperature	34° F (1° C)
Max. vertical suction of concentrate	12 ft./3.6 m.
Max. horizontal suction of concentrate	50 ft./15 m.
Self-priming	Yes
Seal material available*	Silicone , Viton
Maximum Viscosity	1,500 cP (Ex. Honey)
Recommended Accessories	Check valve, pressure regulator, flow restrictor
Thread Sizes Available	3/4" NPT/GHT/BSP

\*Contact your representative for specific chemical information



#098200

**Pump pond and well water without a filter!**

# The Gasket Pump

## New, Heavy-Duty Gasket Pump

The Chemilizer's new Gasket Pump lasts longer with less maintenance.

- Increased durability due to the greater surface area of the gasket
- No O-rings or silicone inside the sleeve
- Thicker gasket material stands up to the harshest chemicals in the industry



### Chemilizers

Model #	Description
CH9000-209	Fixed 1:128
CH9000-210	Fixed 1:100
CH9000-AV2 US	Adjustable 50:1-164:1

### Replacement Pumps

P/N	Description
FG9209V	Viton 1:128
FG9210V	Viton 1:100
10095989	Adj. 50:1-164:1

### Pump Rebuild Kits

P/N	Description
FG9209V	Viton 1:128 Rebuild Kit
FG9210V	Viton 1:100 Rebuild Kit
10095989	Adj. 50:1-164:1 Rebuild Kit

### Stem Only

P/N	Description
FG9209V	Viton 1:128 Stem
FG9210V	Viton 1:100 Stem
10095989	Adj. 50:1-164:1 Stem



Adjustable Pump, 10095989  
50:1 - 164:1, 2% - 0.6%



Motor Rebuild Kit  
**#098247**



Kynar Sleeve  
**#098249**



Replacement Pumps  
**#098230**



Check Disks 1%  
**#098241**




Pump Rebuild Kits  
**#098242**




Diaphragm Assembly  
**#098250**

To learn more if the Chemilizer is right for you, call us at 800.543.7184 or email us at [contact-hydro@hydrosystemsco.com](mailto:contact-hydro@hydrosystemsco.com).

## CHEMILIZER PARTS - PUMP - FIXED

Fixed Chemical Pumps		
FG9209-V	1:128 Pump Viton Assembly	
FG9210-V	1:100 Pump Viton Assembly	
FG9211-V	2:100 Pump Viton Assembly	
FG9220-V	2:128 Pump Viton Assembly	
FG9222-V	1:250 Pump Viton Assembly	
FG9225-V	1:500 Pump Viton Assembly	
FG9309	1:128 Pump Silicone Assembly	
FG9310	1:100 Pump Silicone Assembly	
FG9311	2:100 Pump Silicone Assembly	
FG9320	2:128 Pump Silicone Assembly	
FG9322	1:250 Pump Silicone Assembly	


Pump Rebuild Kits		
FG9409-V	1:128 Pump Rebuild Viton Kit	
FG9410-V	1:100 Pump Rebuild Viton Kit	
FG9411-V	2:100 Pump Rebuild Viton Kit	
FG9420-V	2:128 Pump Rebuild Viton Kit	
FG9422-V	1:250 Pump Rebuild Viton Kit	
FG9425-V	1:500 Pump Rebuild Viton Kit	
FG9509	1:128 Pump Rebuild Silicone Kit	
FG9510	1:100 Pump Rebuild Silicone Kit	
FG9511	2:100 Pump Rebuild Silicone Kit	
FG9520	2:128 Pump Rebuild Silicone Kit	
FG9522	1:250 Pump Rebuild Silicone Kit	

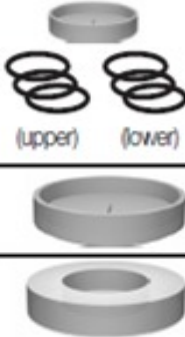
**Note:** All pump rebuild kits come with stem, check valve and housing o-rings.

# CHEMILIZER



## CHEMILIZER PARTS - PUMP - FIXED

Fixed Chemical Pump Stems		
FG9009	1:128 Pump Stem Viton	
FG9010	1:100 Pump Stem Viton	
FG9011	2:100 Pump Stem Viton	
FG9020	2:128 Pump Stem Viton	
FG9022	1:250 Pump Stem Viton	
FG9025	1:500 Pump Stem Viton	
FG9109	1:128 Pump Stem Silicone	
FG9110	1:100 Pump Stem Silicone	
FG9111	2:100 Pump Stem Silicone	
FG9120	2:128 Pump Stem Silicone	
FG9122	1:250 Pump Stem Silicone	






O-ring Kits		
FG9910	1% Viton Repair Kit	
FG9911	1% Silicone Repair Kit	
FG9912	2% Viton Repair Kit	
FG9913	2% Silicone Repair Kit	
FG15104	Check Valve 2% - Silicone	
FG15504	Check Valve 2% - Viton	
FG15204	Check Valve 1% - Silicone	
FG15404	Check Valve 1% - Viton	

**Note:** All o-ring kits come with 3 upper and 3 lower o-rings and a check valve.

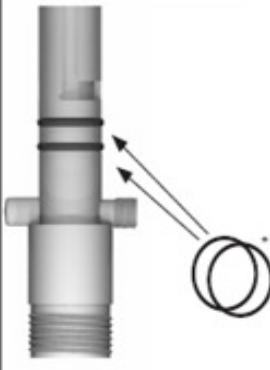
PHONE  
800-328-8842

# CHEMILIZER

## CHEMILIZER PARTS - PUMP - FIXED

Fixed Pump Housing		
FG9936	1% Silicone Pump Cap Assembly*	
FG9936-V	1% Viton Pump Cap Assembly*	
FG9937	2% Silicone Pump Cap Assembly*	
FG9937-V	2% Viton Pump Cap Assembly*	
003921	Filter PVC Assembly	
10095071	Sleeve 1%	
10095072	Sleeve 2%	

\* Includes check valve

Fixed Pump Housing		
10095065*	<p><b>Pump Housing O-rings</b> 117 Viton Pump Housing</p> <p><i>Fits 1% or 2% Pumps</i></p> <ul style="list-style-type: none"> <li>• 1%=1:100, 1:128, 1:250 &amp; 1:500 ratios</li> <li>• 2%=2:100 &amp; 2:128 ratios</li> </ul>	










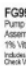

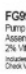
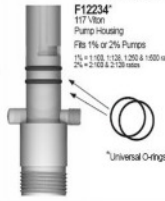



\* Universal o-rings

# CHEMILIZER



## REPAIRS

### Chemical Pump Parts

Chemical Pumps		Pump Stems	
	FG9209-V 1:128 Pump Viton Assembly		FG9009 1:128 Pump Stem Viton
	FG9210-V 1:100 Pump Viton Assembly		FG9010 1:100 Pump Stem Viton
	FG9211-V 2:100 Pump Viton Assembly		FG9011 2:100 Pump Stem Viton
	FG9220-V 2:128 Pump Viton Assembly		FG9020 2:128 Pump Stem Viton
	FG9221-V 1:250 Pump Viton Assembly		FG9021 1:250 Pump Stem Viton
	FG9222-V 1:500 Pump Viton Assembly		FG9022 1:500 Pump Stem Viton
	FG9309 1:128 Pump Silicone Assembly		FG9109 1:128 Pump Stem Silicone
	FG9310 1:100 Pump Silicone Assembly		FG9110 1:100 Pump Stem Silicone
	FG9311 2:100 Pump Silicone Assembly		FG9111 2:100 Pump Stem Silicone
	FG9320 2:128 Pump Silicone Assembly		FG9120 2:128 Pump Stem Silicone
	FG9322 1:250 Pump Silicone Assembly		FG9122 1:250 Pump Stem Silicone
<b>Pump Rebuild Kits</b> All Pump Rebuild Kits Come with Stem, Check Valve and Housing O-Rings			
	FG9409-V 1:128 Pump Rebuild Viton Kit		FG9509 1:128 Pump Rebuild Silicone Kit
	FG9410-V 1:100 Pump Rebuild Viton Kit		FG9510 1:100 Pump Rebuild Silicone Kit
	FG9411-V 2:100 Pump Rebuild Viton Kit		FG9511 2:100 Pump Rebuild Silicone Kit
	FG9420-V 2:128 Pump Rebuild Viton Kit		FG9520 2:128 Pump Rebuild Silicone Kit
	FG9422-V 1:250 Pump Rebuild Viton Kit		FG9522 1:250 Pump Rebuild Silicone Kit
	F15104 Check Valve 2% - Silicone		F15204 Check Valve 1% - Silicone
	F15504 Check Valve 2% - Viton		F15404 Check Valve 1% - Viton
	FG9936 Pump Cap Assembly 1% Silicone Includes Check Valve		FG9936-V Pump Cap Assembly 1% Viton Includes Check Valve
	FG9937 Pump Cap Assembly 2% Silicone Includes Check Valve		FG9937-V Pump Cap Assembly 2% Viton Includes Check Valve
		<b>Pump Housing O-Rings</b>	
F12234* 1 1/2" Viton Pump Housing Fit: 1% or 2% Pumps (1 1/2, 1 1/8, 1 3/8 & 1 1/4 inch) 2% = 2 1/8 & 2 1/4 inch		FG5031 Filter PVC Assembly	
		F14010 Sleeve 1%	
		F14011 Sleeve 2%	
		F24150 1/4" Clamp for Suction Hose	

### Part No Description

098244 CHEMILIZER PUMP CAP VITON ASSY 1% FG9936

098246 CHEMILIZER PVC FILTER ASSY FG5031

098247 CHEMILIZER MOTOR REBUILD KIT FG5001

098248 CHEMILIZER CHEMICAL HOSE ASSY FG9927

098249 CHEMILIZER SLEEVE KYNAR

098250 CHEMILIZER DIAPHRAM ASSY FG5003

098230 CHEMILIZER CHEMICAL PUMP 1:128 VITON

098235 CHEMILIZER TENSION BAND (OLD# F12232)

098240 CHEMILIZER VITON O-RING DISC KIT 1% OR9910

098241 CHEMILIZER CHECKVALVE 1% VITON F15404

098242 CHEMILIZER PUMP KIT 1:128 VITON OR9409-V (Blue)

098245 CHEMILIZER SLEEVE CERAMIC



# CHEMILIZER

## SS NUT



Part No	Description
098266	CHEMILIZER SS NUT 10-32 F21015

---

## SS SCREW



Part No	Description
098265	CHEMILIZER SS SCREW 10-32 F22005

---

## PRODUCT HN55



Part No	Description
098200	CHEMILIZER HN55 MEDICATOR

---

## PIVOT ARM



Part No	Description
098254	CHEMILIZER PIVOT ARM ASSY FG042

---

## BY-PASS



Part No	Description
098258	CHEMILIZER BY-PASS ASSY FG8017

---

## I/O VALVE



Part No	Description
098259	CHEMILIZER I/O VALVE ASSY FG5040

---

## RETAINING CLIP

Part No	Description
098255	CHEMILIZER RETAINING CLIP F24060

---

# CHEMILIZER



## MOTOR PISTON



Part No	Description
098257	CHEMILIZER MOTOR PISTON CUP F33006

## TWIST AIR VENT



Part No	Description
098261	CHEMILIZER TWIST AIR VENT ASSY FG8023

## BOTTOM BODY

Part No	Description
098263	CHEMILIZER MAIN BOTTOM BODY ASSY FG8015

## INLET TEE

Part No	Description
098252	CHEMILIZER INLET TEE ASSY FG8019

## PUMP KIT



Part No	Description
098236	CHEMILIZER PUMP KIT 1:128 SILICONE FG9509

## OUTLET TEE



Part No	Description
098251	CHEMILIZER OUTLET TEE ASSY FG8020

## ACTUATOR



Part No	Description
098253	CHEMILIZER ACTUA ASSY FG5043

PHONE  
800-328-8842

# CHEMILIZER

## O-RING



Part No	Description
098269	CHEMILIZER O-RINGS 009 10095067

## O-RING



Part No	Description
098271	CHEMILIZER O-RINGS 159 10095054

## O-RING

Part No	Description
098238	CHEMILIZER O-RING UPPER SEAL 10095063 (50 pack)
098239	CHEMILIZER O-RING LOWER SEAL 10095064 (50 pack)
098270	CHEMILIZER O-RINGS 119 10095053
098272	CHEMILIZER O-RINGS 109 10095058

## BOTTOM CAP

Part No	Description
098264	CHEMILIZER BOTTOM CAP ASSY FG8016

## PARTS

Part No	Description
098256	CHEMILIZER 1/4" CAP F11020
098260	CHEMILIZER TOP CAP ASSY FG8013
098262	CHEMILIZER MAIN TOP BLDY ASSY FG8014
098267	CHEMILIZER 1/O SCREW F22002
098268	CHEMILIZER PISTON GUIDE INSERT F13075

## ADJUSTABLE PUMP

Part No	Description
098273	CHEMILIZER ADJUSTABLE PUMP 50:1-154:1, 2%-0.6%

# STENNER

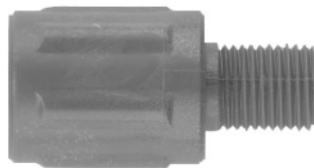


## CHECK VALVE DUCKBILL



Part No	Description
098331	STENNER SANTOPRENE CHECK VALVE DUCKBILL (2/PACK)

## CHECK VALVE



Part No	Description
098332	STENNER CHECK VALVE BODY 1/4"

## PUMP



Part No	Description
098012	STENNER PUMP M128 (120V) 40GPD 100 PSI

## PUMP



Part No	Description
098306	STENNER PUMP 45MPH10 (120V) FIXED 100 PSI#2 TUBE

## PUMP



Part No	Description
098308	STENNER PUMP 85MHP17 (120V) ADJUSTABLE 100 PSI 2/#2 TUBE

## FERRULE



Part No	Description
098328	STENNER FERRULE 1/4" 24-PK (SELL AS EACH)

## TUBE



Part No	Description
098321	STENNER #3 TUBE 2 PACK
098324	STENNER #5 TUBE 2 PACK

# STENNER

## CONNECTING NUT



Part No	Description
098329	STENNER CONNECTING NUT 1/4" 24-PK

## STRAINER



Part No	Description
098327	STENNER WEIGHTED SUCTION LINE STRAINER 1/4"

## FLOW INDICATOR



Part No	Description
098330	STENNER FLOW INDICATOR W/ BRACKET

## TUBE W/ FERRULE & DUCKBILL



Part No	Description
098322	STENNER #1 TUBE 2/PK HIGH PSI W/ FERRULE & DUCKBILL
098323	STENNER #2 TUBE 2/PK HIGH PSI W/ FERRULE & UCKBILL
098325	STENNER #7 TUBE W/PK HIGH PSI W/ FERRULE & DUCKBILL

## PUMP HEAD



Part No	Description
098334	STENNER PUMP HEAD NEW QUICKPRO W/#2 TUBE

## WATER METER



Part No	Description
098315	STENNER WATER METER 3/4" PLASTIC (1 GAL/PULSE) JPL
098316	STENNER WATER METER 1 1/2" PLASTIC (1 GAL/PULSE) JPL
098022	STENNER WATER METER 1" PLASTIC PSI 100 (1 GAL/PULSE) JPL

# STENNER



## PUMP CONTROL



Part No	Description
098310	STENNER PUMP CONTROL MODULE PCM-10
098311	STENNER PUMP CONTROL MODULE PCM-5

## TANK

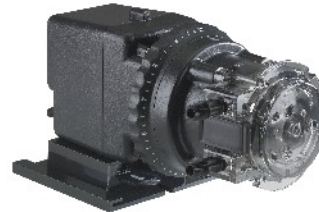


Part No	Description
098320	STENNER 15 GALLON NATURAL TANK

## PUMP

Part No	Description
098333	STENNER PUMP 85MPHP5 (120V) FIXED 100 PSI W/ #1 TUBE
098314	STENNER PUMP 45MPHP2 (120V) FIXED 100 PSI #1 TUBE
098309	STENNER PUMP 85MPHP17 (120V) FIXED 100 PSI W/#2 TUBE

## PUMP



Part No	Description
098307	STENNER PUMP 45MHP10 (120V) ADJUSTABLE 100 PSI W/#2 TUBE

## INJECTION CHECK VALVE



Part No	Description
098210	STENNER INJECTION CHECK VALVE 1/4"

## INTEGRATOR



Part No	Description
098312	STENNER PUMP ECON INTEGRATOR 16GPD 80PSI E20RHG71A

PHONE  
800-328-8842

# STENNER

## STENNICATOR



Part No	Description
098313	STENNER PUMP STENNICATOR 1:128 2.7 OZ 80 PSI
098338	STENNER STENNICATOR ROLLER ASSY BLACK
098339	STENNER STENNICATOR PUMP HEAD COVER
098337	STENNER TUBE H 2PK STENNICATOR

## LITHIUM GREASE



Part No	Description
098353	STENNER AQUASHIELD LITHIUM BASE GREASE 5OZ

## FILTER SCREEN

Part No	Description
098053	FILTER SCREEN 1 1/2-100 MESH \EACH

## SUCTION / DISCHARGE TUBE

Part No	Description
098326	STENNER SUCTION / DISCHARGE UBE WHITE 20'X1/4"

## TUBE HOUSING



Part No	Description
098335	STENNER TUBE HOUSING WITH LATCHES

## TUBE HOUSING COVER



Part No	Description
098336	STENNER TUBE HOUSING COVER WITH BUSHING

# DOSATRON



## DM11F 11 GPM



Part No	Description
097900	DOSATRON DM11F (Diaphragm driven)

## AIR BLEED O-RING



Part No	Description
097794	DOSATRON DM11F AIR BLEED O-RING SEAL JD1030

## AIR BLEED KEY



Part No	Description
097793	DOSATRON DM11F AIR BLEED KEY PD1782

## PLUNGER



Part No	Description
097797	DOSATRON DM11F PLUNGER W/O SEALS

## DM11F NUT



Part No	Description
097798	DOSATRON DM11F NUT PD1734

## AIR BLEED SPRING

Part No	Description
097795	DOSATRON DM11F AIR BLEED SPRING MD1365

## DIAPHRAGM



Part No	Description
097273	DOSATRON DM11F DIAPHRAGM SUB ASSY

## ISOLATION BODY



Part No	Description
097270	DOSATRON DM11 ISOLATION BODY



### DM11F NUT



Part No	Description
097799	DOSATRON DM11F NUT PD1735

### CHECK VALVE



Part No	Description
097271	DOSATRON DM11 CHECK VALVE

### DM11F SLIDING VALVE

Part No	Description
098275	DOSATRON DM11F SLIDING VALVE

### DM11F CERAMIC PLATE



Part No	Description
098276	DOSATRON DM11F CERAMIC PLATE

# DOSATRON

### PLUNGER O-RING



Part No	Description
097274	DOSATRON DM11F PLUNGER MID SECTION O-RING

### O-RING

Part No	Description
097275	DOSATRON DM11F O-RING SEAL

### DM11F STYLE INJ



Part No	Description
097276	DOSATRON DM11F NEW STYLE INJ STEM BLK (PD1784U)

### DM11F BLADE SPRING

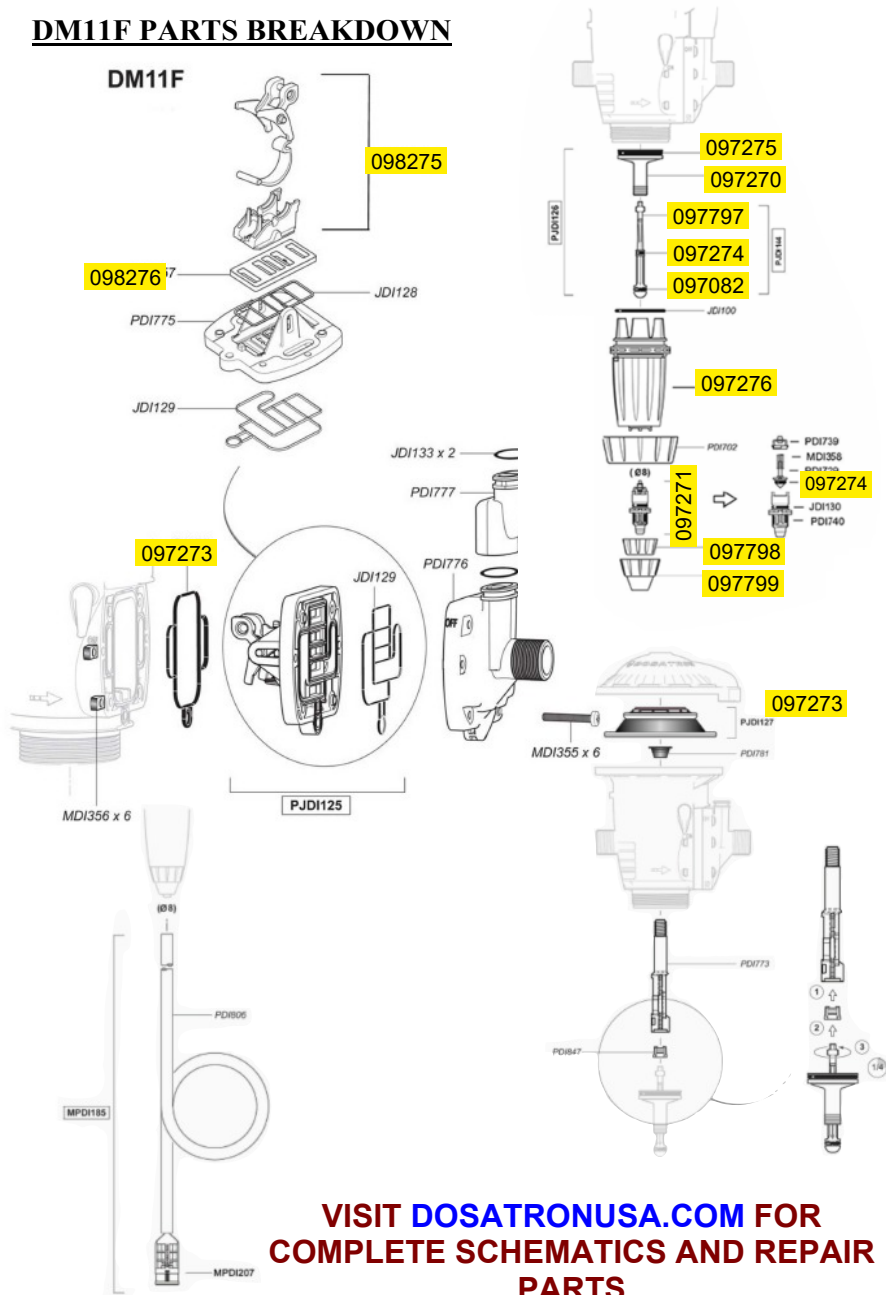


Part No	Description
098274	DOSATRON DM11F ACTUATOR BLADE SPRING

# DOSATRON



## DM11F PARTS BREAKDOWN



VISIT [DOSATRONUSA.COM](http://DOSATRONUSA.COM) FOR  
COMPLETE SCHEMATICS AND REPAIR  
PARTS

PHONE  
800-328-8842

**D25F 11 GPM**



Part No	Description
097600	DOSATRON D25F 11 GPM

**D25F SHELL**



Part No	Description
097214	DOSATRON D25F SHELL

**PUSH ROD O-RING**



Part No	Description
097216	DOSATRON D25F PUSH ROD O-RING

**D25F PLUNGER**



Part No	Description
097082	DOSATRON D25F PLUNGER SEAL

# DOSATRON

**VALVE SEAL**



Part No	Description
097106	DOSATRON OUTPUT VALVE SEAL

**CHECK VALVE**



Part No	Description
097210	DOSATRON D25F CHECK VALVE SEAL

**TOP CAP**



Part No	Description
097071	DOSATRON TOP CAP O RING SEAL

**PUSH ROD**



Part No	Description
097218	DOSATRON D25F PUSH ROD

**PUSH ROD**



Part No	Description
097499	DOSATRON LOCKING NUT 6MM SUCTION HOSE

# DOSATRON



## STANDARD CAP



Part No	Description
097202	DOSATRON D25F STANDARD CAP

## CHECK VALVE SPRING



Part No	Description
097200	DOSATRON D25F CHECK VALVE SPRING/ CONE ASSY

## ACTUATOR SPRING



Part No	Description
097208	DOSATRON D25F ACTUATOR SPRING

## PLUNGER



Part No	Description
097081	DOSATRON D25F PLUNGER

## ACTUATOR ASSY

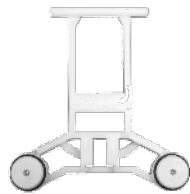


Part No	Description
097212	DOSATRON D25F ACTUATOR ASSY

## D25F OUTPUT VALVE

Part No	Description
097204	DOSATRON D25F SLEEVE O-RING

## D25F OUTPUT VALVE



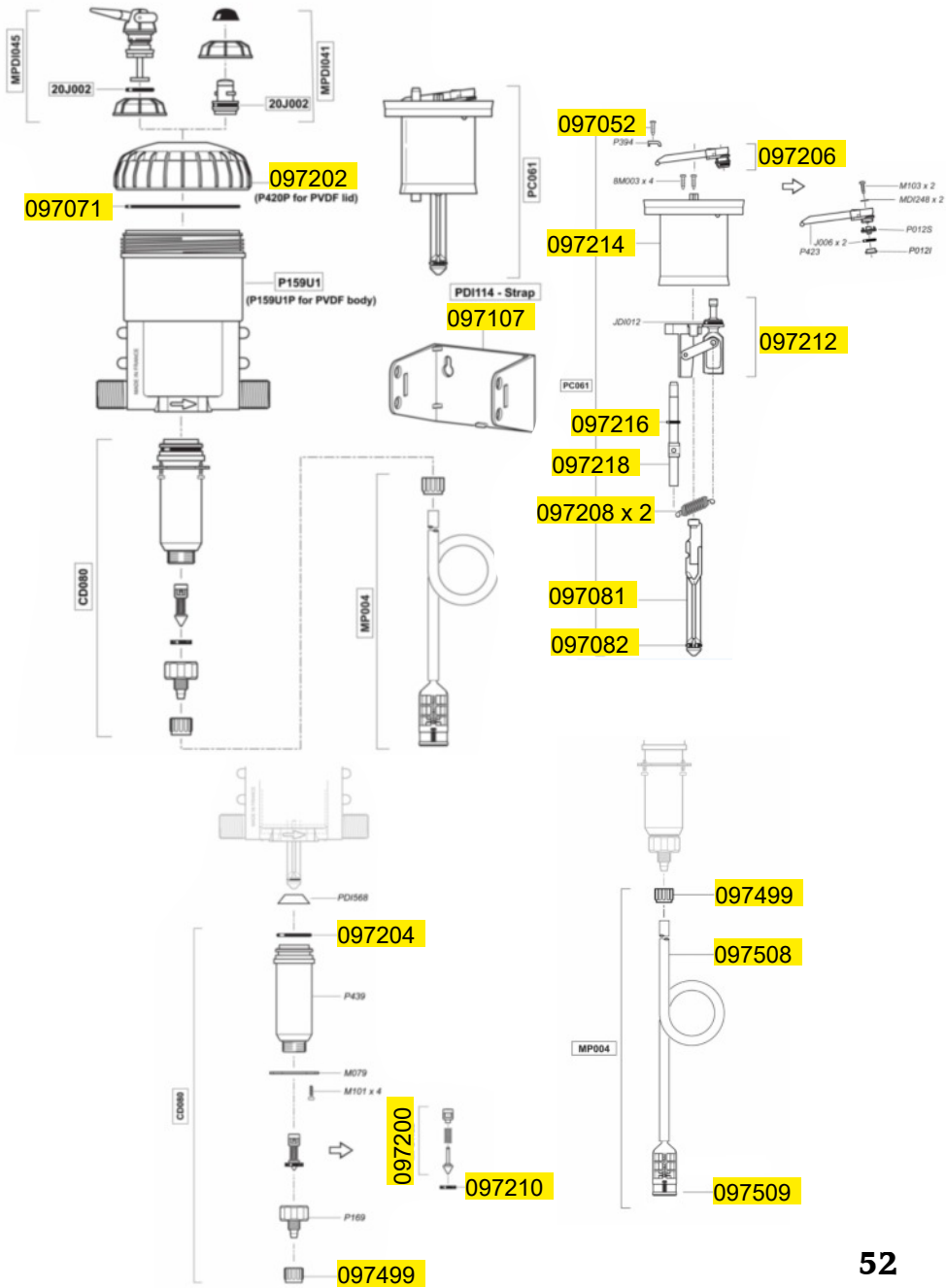
Part No	Description
097206	DOSATRON D25F OUTPUT VALVE ASSY



Part No	Description
097220	DOSATRON D25F INJECTION SEAL KIT

# DOSATRON

## D25F PARTS BREAKDOWN



# DOSATRON



## D128R 7GPM



Part No	Description
097070	DOSATRON D128R 7GPM

## PISTON SHELL



Part No	Description
097105	DOSATRON 25F PISTON SHELL

## PISTON W/ PLUNGER



Part No	Description
097507	DOSATRON D128R/7GPM COMPLETE PISTON W/PLUNGER

## ACTUATOR SPRING



Part No	Description
097072	DOSATRON 7GPM ACTUATOR SPRING

## D128R PUMP BODY



Part No	Description
097800	DOSATRON 128R PUMP BODY - BLUE

## STEM, CAP



Part No	Description
097502	DOSATRON D128R STEM CAP NEW TYPE

## STEM SLEEVE



Part No	Description
097503	DOSATRON D128R BLACK STEM SLEEVE 1-5%

## PUSH ROD O-RING



Part No	Description
097102	DOSATRON 7GPM PUSH ROD O-RING

PHONE  
800-328-8842

### PUSH ROD



Part No	Description
097101	DOSATRON 7GPM PUSH ROD

### PISTON ROD PLUNGER



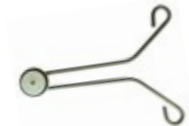
Part No	Description
097073	DOSATRON D128R PISTON ROD PLUNGER

### BOTTOM SEAL



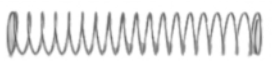
Part No	Description
097501	DOSATRON D128R BOTTOM SEAL (VT)

### WISHBONE SPRING



Part No	Description
097104	DOSATRON 7GPM WISHBONE SPRING VALVE ASSY

### VALVE SLIDING SPRING



Part No	Description
097506	DOSATRON D128R VALVE SLIDING SPRING

# DOSATRON

### SHORT SCREW



Part No	Description
097052	DOSATRON SS SCREW (SHORT)

### ACTUATOR ASSY

Part No	Description
097103	DOSATRON 7GPM ACTUATOR ASSY W/J007

### TOP SEAL

Part No	Description
097500	DOSATRON D128R TOP SEAL (VT)

### SLIDE VALVE

Part No	Description
097505	DOSATRON D128R SLIDE VALVE

### VALVE

Part No	Description
097100	DOSATRON ADMISSION VALVE SEAL J007VT

### BODY GASKET

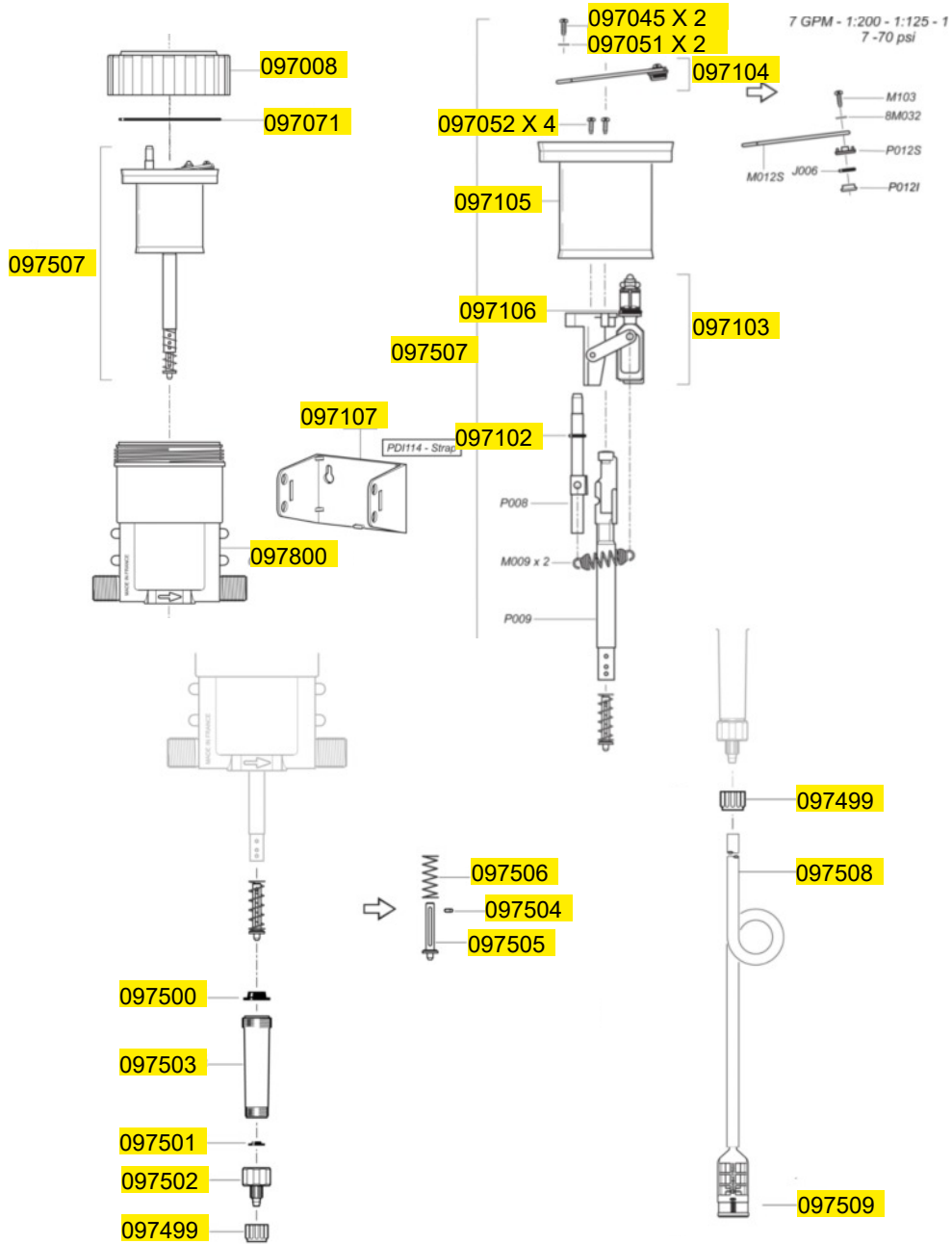
Part No	Description
097277	DOSATRON TRANSFER BODY GASKET

### MOUNTING BRACKET

Part No	Description
097107	DOSATRON MOUNTING BRK'T PLASTIC 7/11GPM

# DOSATRON

## D128R PARTS BREAKDOWN





## 200 MESH



Part No	Description
097068	200 MESH HOOK UP KIT

## FILTER

Part No	Description
097066	200 MESH INNER SCREEN FOR HOOK UP KIT

## R1



Part No	Description
097061	DOST R1 SCREEN FILTER \ EACH

## VALVE SLIDE PIN

Part No	Description
097504	DOSATRON VALVE SLIDE PIN

## REPLACEMENT GASKET

Part No	Description
097510	DOST R2 REPLACEMENT GASKET \ EACH

## WEIGHT

Part No	Description
097512	DOSATRON WEIGHT FOR 6MM HOSE SS NUT

# DOSATRON

## MALE PIPE

Part No	Description
097079	DOSATRON 3/4 MALE PIPE TO 3/4 FEMALE ADAPT

## STRAINER



Part No	Description
097509	DOSATRON 6MM STRAINER NO WEIGHT

## HOSE



Part No	Description
097508	DOSATRON 6MM 6' SUCTION HOSE 7/11GPM
097801	DOSATRON HOSE 6 FT (8mm) D14M22/DM11F

## PUMP BODY

Part No	Description
097278	DOSATRON PUMP BODY GASKET

## ACTUATOR GASKET

Part No	Description
097279	DOSATRON ACTUATOR GASKET

# DIVERSIFIED



## DIVERSIFIED PRODUCT



Part No	Description
098010	DIVERSIFIED MIXRITE 2502 MEDICATOR RATE 0.2-2%
098020	DIVERSIFIED MIXRITE 2504 MEDICATOR RATE 0.4-4%
098021	DIVERSIFIED MIXRITE 12502 MEDICATOR .2-2% W/ON/OFF

## PARTS "O" RING

Part No	Description
098030	DIVERSIFIED MIXRITE COVER "O" RING
098031	DIVERSIFIED MIXRITE CYLINDER SUPPORT "O" RING
098033	DIVERSIFIED MIXRITE CYLINDER "O" RING
098034	DIVERSIFIED MIXRITE CHECK VALVE LOWER "O" RING

## DIVERSIFIED SEAL KIT



Part No	Description
098006	DIVERSIFIED MIXRITE 2502 SEAL KIT

## DIVERSIFIED MIXRITE SEAL



Part No	Description
098024	DIVERSIFIED MIXRITE 2504 SEAL KIT

## MIXRITE SPRING

Part No	Description
098019A	DIVERSIFIED MIXRITE PLASTIC CYLINDER SPRING

PHONE  
800-328-8842

# PARTS

## ETATRON



Part No	Description
098350	ETATRON E1 BASIC METERING PUMP 101 PSI
098351	ETATRON PKX FT/A METERING PUMP 72 PSI

## FARM GUARD PRODUCT



Part No	Description
098340	FARM GUARD 1 FILTER CANISTER

## FARM GUARD REPAIRS



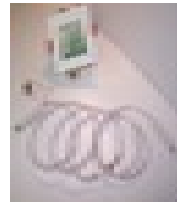
Part No	Description
098341	FARM GUARD FILTER CARTRIDGE 20 MICRON

## FILTER SCREEN



Part No	Description
098026	FILTER SCREEN 1-30 MESH \ EACH

## REPLACEMENT FILTER



Part No	Description
098036	FILTER SCREEN 2-140 MESH \ EACH
098037	FILTER SCREEN 1 1/2-140 MESH \ EACH

## MEDICATORS

Part No	Description
098302	QUICK MIX PUMP (EZ MIX)

# PARTS



## REPLACEMENT BOWL



Part No	Description
098039	FILTER SPIN DOWN 3/4-1" BOWL ONLY
098038	FILTER SPIN DOWN 2 BOWL ONLY
098040	FILTER SPIN DOWN 1 1/2 BOWL ONLY

## FILTER SPIN

Part No	Description
098051	FILTER SPIN DOWN 1 1/2" O RING
098069	FILTER SPIN DOWN 1"-250 MESH COMPLETE \ EACH

## SPIN DOWN PRODUCT

Part No	Description
098072	FILTER SPIN DOWN 2"-100 MESH COMPLETE \ EACH
098070	FILTER SPIN DOWN 1"-100 MESH COMPLETE \ EACH
098071	FILTER SPIN DOWN 1 1/2"-100 MESH COMPLETE \ EACH

## FILTER SCREEN

Part No	Description
098100	FILTER SCREEN 1-100 MESH

## MISC. PARTS

Part No	Description
097045	SS SCREW (SHORT)
097051	SS WASHER
097062	VALL VALVE SCH 80 PVC 3/4 THREADED \ EACH
097530	STEM CHECK VALVE ASSY W/ TWO NUTS
097535	PLUNGER ASSY (D1-11)
097540	CHECK VALVE SEAL (D1-11)
097925	PRODOSE II A7GPM-R GENERIC DOSATRON 127R

## TAG PLIER & TAGS



Part No	Description
635301	TAG PLIER UNIVERSAL
635300	TAGS LARGE MALE HOG BLUE/BLANK (25/PACK)

## BEAK TRIMMER



Part No	Description
635709	TURKEY BEAK TRIMMER-CORONA

# SANITATION

## ACCEL CONCENTRATE



Part No	Description
080924	INTERVENTION CONCENTRATE 1 GAL

## ACCEL WIPES



Part No	Description
080810	INTERVENTION TB WIPES 160-DISPENSER

## ACID-A-FOAM



Part No	Description
080840	ACID-A-FOAM XL \ 4x1 GAL

## ALDACIDE

Part No	Description
080733	ALDACIDE 200 \ 2x2.5 GAL

## ANTHIUM DIOXIDE



Part No	Description
080955	ANTHIUM DIOXIDE DRUM 5 GAL

## ANTHIUM DIOXIDE TEST STRIPS



Part No	Description
080011	ANTHIUM DIOXIDE TEST STRIPS \ 50/JAR

## AWS

Part No	Description
080610	AWS 1200 15 GALLONS
080611	AWS 1200 55 GALLON DRUM

## BIOCREST



Part No	Description
080092	BIOCREST 50 (Clean Crest) \ 4x1 GALLON

# SANITATION



## BIO-GEL FOAMING CLEANER



Part No	Description
080325	BIO GEL FOAMING CLEANER \25 LITER DRUM (6.6 Gal)
080326	BIO GEL FOAMING CLEANER 55 GAL DRUM

## BIOSOLVE PLUS



Part No	Description
080052	BIOSOLVE PLUS \ 4x1 GALLON

## BIO-QUAT



Part No	Description
080005	BIO-QUAT (PI QUAT) 20 \ 4x1 GAL

## BLEACH - CLOROX



Part No	Description
080118	BLEACH-CLOROX 8.25% \ 8x64oz

## AQUA MAX



Part No	Description
080008	COOL-N-KLEAN (AQUA MAX) 4x1 GAL

## BLEACH 12.5%



Part No	Description
080108	BLEACH 12.5% 5 GAL
080110	BLEACH 12.5% \ DRUM 15 GAL (with 080111)
080115	BLEACH 12.5% \ DRUM 55 GAL (FOR AG USE ONLY)

PHONE  
800-328-8842

# SANITATION

## BLUE KOTE



Part No	Description
080351	BLUE KOTE 500Z AEROSOL

---

## CAUSTIC SODA



Part No	Description
080902	CAUSTIC SODA 30% \ DRUM 15 GAL

---

## CHLORINE PELLETS



Part No	Description
080106	CHLORINE PELLETS TWIN PACK

---

## CHERRY BOMB



Part No	Description
080800	ZEP CHERRY BOMB HEAVY DUTY CLEANER 1 GAL

---

## CID 2000



Part No	Description
080330	CID 2000 \ 10 LITER (2.6 Gal) DRUM

---

## CID CLEAN



Part No	Description
080145	CID CLEAN \ 10 LITER (2.6 Gal) DRUM

---

## CLOREX WIPES



Part No	Description
562043	CLOREX WIPES 105 PER PAIL \ 4/CASE

---

# SANITATION



## CLOROX CLEAN-UP



Part No	Description
562269	CLOROX CLEAN UP 32oz\9/CASE

## DAWN DISH SOAP



Part No	Description
562850	DAWN DISH SOAP ANTIBACTERIAL \ 10/CASE

## DRUM WRENCH



Part No	Description
562004	DRUM WRENCH

## DRUM PUMP



Part No	Description
080205	PUMP FOR 55 GAL DRUM

## DC & R DISINFECTANT



Part No	Description
080090	DC & R DISINFECTANT \ 4x1 GAL
080091	DC & R DISINFECTANT \ CS (2x2.5 GAL)

## DYNE-O-MIGHT



Part No	Description
080051	DYNE-O-MIGHT \ 5 GALLON DRUM

## ENVIRON



Part No	Description
080835	ENVIRON 1 STROKE \ 4x1 GAL

## FOOT POWDER

Part No	Description
080103	ASPEN FOOT PATROL POWDER 100lb



## FORMALDEHYDE



Part No	Description
080714	(PestTx) FORMALDEHYDE \ 4x1 GAL
080715	(PestTx) FORMALDEHYDE 480 lb NO RETURN 50 GAL DRUM

## FRESH FLO



Part No	Description
080930	FRESH FLO 55 \ 55 GAL DRUM (special order)
080945	FRESH FLO \ 4x1 GAL

## IODINE



Part No	Description
080350	IODINE (IODIS) 1/75% \ 4sx1 GAL

# SANITATION

## FOOT PATROL

Part No	Description
080105	FOOT PATROL 8LB CONTAINER

## GLUTEX



Part No	Description
080743	GLUTEX GS2 \ 5 GAL DRUM
080744	GLUTEX GS2 53.5 GALLON (special order)

## HAND SANITIZER



Part No	Description
562825	HAND ANITIZER W/ ALOE PURELL \ 4/CASE

## HYDROGEN PEROXIDE



Part No	Description
080130	HYDROGEN PEROXIDE \ NO RETURN DRUM 15 GAL

# SANITATION



## IRON OUT



Part No	Description
562853	IRON OUT 9.5 LB\ 4/CASE

## ISOPROPYL ALCOHOL



Part No	Description
080318	ISOPROPYL ALCOHOL 99% (special order) \ 4x1 GAL
080320	ISOPROPYL ALCOHOL 70% \ 4x1 GAL

## KENO



Part No	Description
080321	KENO X5 2.6 GALLON JUG

## LY-HYFAC



Part No	Description
080910	LY-HYFAC #356 \ DRUM

## DISINFECTANT SPRAY



Part No	Description
562056	DISINFECTANT SPRAY 19oz \12/CASE

## MAXKLOR



Part No	Description
080848	MAXKLOR 55 GAL \ 55 GAL DRUM (special order)

PHONE  
800-328-8842

# SANITATION

## MURATIC ACID



<b>Part No</b>	<b>Description</b>
080038	MURATIC ACID \ 4x1 GAL
080400	MURATIC ACID (HYDROCHLORIC 20)\135 LB

## PHOSPHORIC ACID



<b>Part No</b>	<b>Description</b>
080838	PHOSPHORIC ACID 75% \ 15 GAL DRUM

## PH SAFE



<b>Part No</b>	<b>Description</b>
080150	PH SAFE 40LB PAIL

## PINE CLEANER



<b>Part No</b>	<b>Description</b>
562851	ZEP PINE CLEANER \ 4/CASE

## POTASSIUM PERMANGANATE



<b>Part No</b>	<b>Description</b>
080221	POTASSIUM PERMANGANATE \ 55.125 lb PAIL

## PHENO-TEK



<b>Part No</b>	<b>Description</b>
080857	PHENO-TEK II \ 4x1 GAL

## PRO-OXINE



<b>Part No</b>	<b>Description</b>
080094	PRO-OXINE \ 5 GAL DRUM

# SANITATION



## PROXY-CLEAN



Part No	Description
080127	PROXY-CLEAN \ 4x1 GAL
080187	PROXY-CLEAN \ 15 GALLON DRUM

## PROXY-CLEAN DE-SCALER



Part No	Description
080125	PROXY-CLEAN DE-SCALER \ 4x1 GAL (MINERAL CLEAN)
080186	PROXY CLEAN MINERAL CLEAN 15 GALLON DRUM

## SCI-62



Part No	Description
080007	SCI-62 4x1 GAL

## SOFTJAMB



Part No	Description
080450	SOFTJAMB 1.75% \ 4x1 GAL (Iodine)

## SYNERGIZE



Part No	Description
080920	SYNERGIZE \ DRUM 5 GAL
080922	SYNERGIZE \ 4x1 GAL

## TEK-TROL AEROSOL



Part No	Description
080832	TEK-TROL AEROSOL \ 12x17oz

# SANITATION

## TEK-TROL



Part No	Description
080834	TEK-TROL \ 4x1 GAL

## TRAFFIC C.O.P.



Part No	Description
080107	TRAFFIC C.O.P. \ 18 lb PAIL

## UNIVERSAL FOAMING CLEANER



Part No	Description
080323	UFC UNIVERSAL FOAMING CLEANER 5.3 GALLON

## UNIVERSAL BARN CLEANER



Part No	Description
080112	UNIVERSAL BARN (Quick clean) 1-500 \ 5 GAL DRUM
080113	UNIVERSAL BARN 55 GAL DRUM

## VIRKON S



Part No	Description
080500	VIRKON S \ 4x10 lb TUB

## VIROCID



Part No	Description
080322	VIROCID \ 4x5 LITER (1.33 GAL)

# SANITATION



## ZEP ALKALINE CLEANER



Part No	Description
080550	ZEP FORMULA 50 HEAVY DUTY ALKALINE CLEANER 1 GAL

## ZEP HAND CLEANER



Part No	Description
562872	ZEP TKO HAND GLEANER 1 GAL

## CHLORINE TEST STRIPS



Part No	Description
562893	CHLORINE TEST STRIPS FREE/TOTAL CHLORINE 0-10

## SPRAYER



Part No	Description
562848	1 GALLON TANK SPRAYER

## HYDROGEN PEROXIDE TEST STRIPS



Part No	Description
562041	GRAINGER LAMOTTE HYDROGEN PEROXIDE TEST STRIPS (25/PK)

## PUMP



Part No	Description
562986	1 OZ PUMP FOR GALLON JUG

PHONE  
800-328-8842

# SANITATION

## GLOVES



<b>Part No</b>	<b>Description</b>
562163	GLOVES - SIZE LARGE LATEX (50 PR/BOX)
562301	GLOVES - SIZE MEDIUM LATEX (50 PR/BOX)
562101	GLOVES - SIZE SMALL LATEX (50 PR/ BOX)
562201	GLOVES - SIZE X-LARGE LATEX (50 PR/ BOX)
562124	GLOVES - CCP HAND ARMOR BLACK NITRILE LARGE
562114	GLOVES - CCP HAND ARMOR BLACK NITRILE MED
562881	GLOVES - CCP HAND ARMOR BLACK NITRILE SMALL
562115	GLOVES - CCP HAND ARMOR BLACK NITRILE X-LARGE
562880	GLOVES - CCP ORANGE NITRILE XX-LARGE (50 PAIR)

## COVERALL



<b>Part No</b>	<b>Description</b>
562982	COVERALL 3XL PROWORK BREATHABLE (12 CASE)
562976	COVERALL 4XL PROWORK BREATHABLE (25 CASE)
562974	COVERALL HOODED TYVEK XL ELASTIC CUFF/ANKLE (25 CASE)
562984	COVERALL XXL PROWORK BREATHABLE (12 CASE)

# BOOTS

## BOOT COVERS



Part No	Description
562506	BOOT COVERS SAFE TRACK (200/CASE/ 100 PAIR)

## BROWN BOOT



Part No	Description
562919	BOOT KNEE HIGH BROWN SIZE 7
562921	BOOT KNEE BROWN SIZE 8
562926	BOOT KNEE BROWN SIZE 9
562920	BOOT KNEE BROWN SIZE 10
562916	BOOT KNEE BROWN SIZE 11
562917	BOOT KNEE BROWN SIZE 12
562925	BOOT KNEE BROWN SIZE 13

## GREEN BOOT



Part No	Description
562627	BOOT KNEE HIGH GREEN SIZE 7
562628	BOOT KNEE GREEN SIZE 8
562629	BOOT KNEE GREEN SIZE 9
562630	BOOT KNEE GREEN SIZE 10
562631	BOOT KNEE GREEN SIZE 11
562632	BOOT KNEE GREEN SIZE 12
562633	BOOT KNEE GREEN SIZE 13
562634	BOOT KNEE GREEN SIZE 14



## SANI BOOT



Part No	Description
562247	BOOT SANI ELASTIC 3M \25PR/BAG
562200	BOOT SANI W/ TIE LARGE 4 ML\25PR/BOX
562500	BOOT SANI W/ TIE X-LARGE 4 ML\25PR/BOX
562502	BOOT SANI W/ TIE X-LG 6ML \ 25PR/BOX
562504	BOOTS SANI TREADER W/ EALSTIC AND GRIPPER XL \40PR/BOX

## LATEX BOOT

Part No	Description
562928	LATEX RUBBER BOOT YELLOW LRGE (12PR/BOX)
562929	LATEX RUBBER BOOT YELLOW X LRG (12PR/BOX)

## BOOT SCRUBBER BRUSH



Part No	Description
562265	BOOT SCRUBBER BRUSH



# BOOTS

## TINGLEY BOOTS



<b>Part No</b>	<b>Description</b>
562652	TINGLEY BOOT ANKLE LARGE
562651	TINGLEY BOOT ANKLE MEDIUM
562650	TINGLEY BOOT ANKLE SMALL
562653	TINGLEY BOOT ANKLE X-LARGE
562654	TINGLEY BOOT ANKLE XX-LARGE
562640	TINGLEY BOOT ANKLE XXX-LARGE
562671	TINGLEY BOOT KNEE HIGH MEDIUM
562670	TINGLEY BOOT KNEE HIGH SMALL
562657	TINGLEY BOOT WORK LARGE
562656	TINGLEY BOOT WORK MEDIUM
562655	TINGLEY BOOT WORK SMALL
562658	TINGLEY BOOT WORK X-LARGE
562659	TINGLEY BOOT WORK XX-LARGE
562660	TINGLEY BOOT WORK XXX-LARGE

## BOOT TRAY



<b>Part No</b>	<b>Description</b>
562231	SANITIZER BOOT TRAY 34.5"Lx23"Wx1.25"H

# INJECTION



## NEEDLE



Part No	Description
635328	NEEDLE 14GA x3 /4SS
635715	NEEDLE 16 x 1 DISPOSABLE
635600	NEEDLE 16 x 3/4 DISPOSABLE / BOX OF 100
635605	NEEDLE 16GA x 1SS
635604	NEEDLE 16GA x 1/2SS
635599	NEEDLE 18 x 1/2" DISPOSABLE
635615	NEEDLE 18GA x 1" SS
635544	NEEDLE 18 x 1/4 PH/100CT
635616	NEEDLE GA x 2 FEEDING NEEDLE CU (sold by each)
635612	NEEDLE 18GA x 3/4SS
635632	NEEDLE 20GA x 3/4SS
635553	NEEDLE FOR WING POX SYRING 2CC
635551	BARREL SYRINGE NEEDLE 7" (18CM) FOR AVIPRO DBL

## OVIJECTOR



Part No	Description
635542	OVIJECTOR MARK 2
635541	OVIJECTOR REPAIR KIT MARK 2
635552	OVIJECTOR REPAIR KIT MARK 3
635550	OVIJECTOR TRIGGER . SCREW

## SYRINGE



Part No	Description
635920	SYRINGE AVIPRO DOUBLE BARREL
635922	SYRINGE AVIPRO DOUBLE BARREL PARTS KIT
635984	SYRINGE JECTA-MATIC 2.0ML (12/PACKAGE)
635983	SYRINGE JECTA-MATIC 2.0ML CYLINDER ONLY
635985	SYRINGE JECTA-MATIC 5.0ML (12/PKG)
635951	SYRINGE PAK VENTED SPIKE (MERIAL) W/635950
635925	SYRINGE TERUMO 10 CC LUER SLIP TIP \ 100 BOX
635926	SYRINGE TERUMO 20 CC LUER SLIP TIP \ 50/BOX
635530	SYRINGE-DISPOSABLE 12CC 80/BOX
635531	SYRINGE-DISPOSABLE 20CC / BOX OF 50
635520	SYRINGE-DISPOSABLE 3CC
635528	SYRINGE DISPOSABLE 6CC 50/BOX

## POX VACCINE SYRINGE



Part No	Description
635547	AGRI PRO 2CC WING WEB POX SYRINGE

PHONE  
800-328-8842

# LIVESTOCK MARKERS

## SPRAYOLO



<b>Part No</b>	<b>Description</b>
635738	SPRAYOLO - NEON ORANGE PINT (12/CASE)
635739	SPRAYOLO - BLUE PINT (12/CASE)
635740	SPRAYOLO - PINK PINT (12/CASE)
635741	SPRAYOLO - GREEN PINT (12/CASE)
635742	SPRAYOLO - PINK GALLON
635743	SPRAYOLO - GREEN GALLON
635744	SPRAYOLO - NEON ORANGE
635745	SPRAYOLO - BLUE GALLON
635746	SPRAYOLO TRIGGER SPRAYER
635747	SPRAYOLO - PURPLE GALLON

## MARKING SPRAY



<b>Part No</b>	<b>Description</b>
635889	PRIMA II BLUE 17.5oz
635890	PRIMA II GREEN 17.5oz
635982	PRIMA II BLAK 17.5oz

## PAINT TWIST



<b>Part No</b>	<b>Description</b>
635720	PAINT TWIST-STIK RED (12/BOX)
635721	PAINT TWIST-STIK ORANGE (12/BOX)
635722	PAINT TWIST-STIK BLUE (12/BOX)
635723	PAINT TWIST-STIK GREEN (12/BOX)
635724	PAINT TWIST-STIK BLACK (12/BOX)
635725	PAINT TWIST-STIK PURPLE (12/BOX)
635726	PAINT TWIST-STIK FLORESCENT PINK (12/BOX)

## TWIST STIK



<b>Part No</b>	<b>Description</b>
635710	PAINT STIK ORANGE (12/BOX)
635711	PAINT STIK RED (12/BOX)
635712	PAINT STIK BLUE (12/BOX)
635714	PAINT STIK BRIGHT PINK (12/BOX)
635717	PAINT STIK BRIGHT GREEN (12/BOX)



**rx@palsusa.com**

**Fill your Scripts &  
VFDs here**

**PALS: Poultry and Livestock Supplies**

**Your Feed and Medication Specialists**



**DAVE**

320-894-6632



**DALE**

320-905-7753



**MARLIN**

320-212-4815



**RICK**



**LOREN**



**LARRY**

***"The Counter Guys" - 1-800-328-8842***



**RANDY**

Call or email Randy with all  
your Feed and Medication  
needs.

**Office:** 1-800-328-8842 Ext 2367

**Cell:** 1-320-220-7602

**Email:** [randy.young@palsusa.com](mailto:randy.young@palsusa.com)

**www.palsusa.com**



# safe-guard<sup>®</sup> AquaSol

(fenbendazole oral suspension)

Healthy  
profits  
start  
from  
within

Good intestinal health is key to maximizing uniformity, productivity and profitability in your operation.

New **Safe-Guard<sup>®</sup> AquaSol** helps you optimize treatment of poultry gastrointestinal worms with an innovative, farm-friendly drinking water formulation.

- Smaller particle size helps prevent sedimentation and clogged pipes, filters and nipple drinkers
- No pre-slaughter withdrawal



 **MERCK** Animal Health

# IT'S THE RIGHT ANSWER

## Final Exam Poultry Solutions 101



1. Regano<sup>®</sup>EX is the most trusted essential oil product in the market today.
2. Regano<sup>®</sup>EX promotes poultry health for conventional, ABF and organic producers.
3. Regano<sup>®</sup>EX helps poultry respond better to stress by supporting immunity and promoting gut health.
4. Regano<sup>®</sup>EX utilizes a patent-pending technology backed by decades of research.
5. Regano<sup>®</sup>EX does not require a VFD.



New Look,  
Same Great  
Product



**Regano<sup>®</sup> EX** is the pinnacle of essential oil technology. Naturally promote the health and performance of poultry with the most trusted natural feed additive.

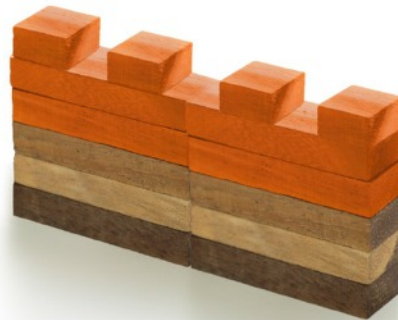
[StrongAnimals.com](http://StrongAnimals.com)

Strong Animals<sup>®</sup> is a brand of Ralco.

*Proven solutions since 1980 to help you...*

# FORTIFY YOUR DEFENSE!

For over 35 years, Alltech has promoted animal health and performance. Now that the Veterinary Feed Directive is in effect, the medical use of antibiotics in animal feed has become more restricted. As we continue to reduce the use of antibiotics in the treatment of animals, nutritious feed that serves as a strong support system will become even more vital for your animals.



**Alltech®**  
**GUT HEALTH MANAGEMENT**

ACTIGEN® , BIO-MOS® ,  
INTEGRAL® A+ , SELECT TC™

**Alltech®**  
**MINERAL MANAGEMENT**

BIOPLEX® , SEL-PLEX® ,  
ECONOMASE™

**Alltech®**  
**FEED EFFICIENCY**

AMAIZE® , FIBROZYME® ,  
OPTIGEN® , YEA-SACC®

Strengthen your nutrition for profitable  
and sustainable production.

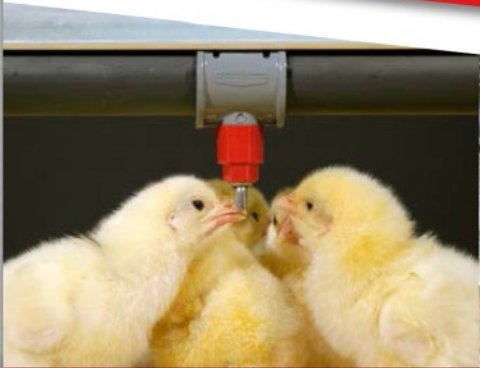


©2017. Alltech, Inc. All Rights Reserved.

## CHORE-TIME Products for Poultry Production



# CHORE-TIME<sup>®</sup>



Chore-Time delivers the innovative systems you need  
for complete production of Broilers,  
Breeders and Turkeys.

Contact us today or visit  
[www.palsusa.com](http://www.palsusa.com)  
for more information.

Tel. 320.235.8860  
Toll-Free 800.328.8842  
[lori.kloster@palsusa.com](mailto:lori.kloster@palsusa.com)

**PALS**<sup>™</sup>  
Supplier Of Choice

**PALS**  
3735 West 1st Ave, Willmar, MN 56201

Authorized Independent Chore-Time Distributor