



## CHEMILIZER PARTS - PUMP - FIXED

Fixed Chemical Pumps	
FG9209-V	1:128 Pump Viton Assembly
FG9210-V	1:100 Pump Viton Assembly
FG9211-V	2:100 Pump Viton Assembly
FG9220-V	2:128 Pump Viton Assembly
FG9222-V	1:250 Pump Viton Assembly
FG9225-V	1:500 Pump Viton Assembly
FG9309	1:128 Pump Silicone Assembly
FG9310	1:100 Pump Silicone Assembly
FG9311	2:100 Pump Silicone Assembly
FG9320	2:128 Pump Silicone Assembly
FG9322	1:250 Pump Silicone Assembly



Pump Rebuild Kits	
FG9409-V	1:128 Pump Rebuild Viton Kit
FG9410-V	1:100 Pump Rebuild Viton Kit
FG9411-V	2:100 Pump Rebuild Viton Kit
FG9420-V	2:128 Pump Rebuild Viton Kit
FG9422-V	1:250 Pump Rebuild Viton Kit
FG9425-V	1:500 Pump Rebuild Viton Kit
FG9509	1:128 Pump Rebuild Silicone Kit
FG9510	1:100 Pump Rebuild Silicone Kit
FG9511	2:100 Pump Rebuild Silicone Kit
FG9520	2:128 Pump Rebuild Silicone Kit
FG9522	1:250 Pump Rebuild Silicone Kit




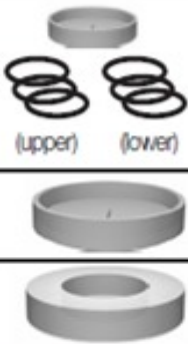
**Note:** All pump rebuild kits come with stem, check valve and housing o-rings.

# CHEMILIZER








## CHEMILIZER PARTS - PUMP - FIXED

Fixed Chemical Pump Stems		
FG9009	1:128 Pump Stem Viton	
FG9010	1:100 Pump Stem Viton	
FG9011	2:100 Pump Stem Viton	
FG9020	2:128 Pump Stem Viton	
FG9022	1:250 Pump Stem Viton	
FG9025	1:500 Pump Stem Viton	
FG9109	1:128 Pump Stem Silicone	
FG9110	1:100 Pump Stem Silicone	
FG9111	2:100 Pump Stem Silicone	
FG9120	2:128 Pump Stem Silicone	
FG9122	1:250 Pump Stem Silicone	

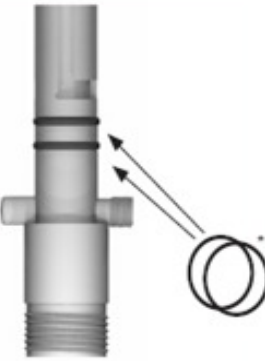
O-ring Kits		
FG9910	1% Viton Repair Kit	
FG9911	1% Silicone Repair Kit	
FG9912	2% Viton Repair Kit	
FG9913	2% Silicone Repair Kit	
FG15104	Check Valve 2% - Silicone	
FG15504	Check Valve 2% - Viton	
FG15204	Check Valve 1% - Silicone	
FG15404	Check Valve 1% - Viton	

**Note:** All o-ring kits come with 3 upper and 3 lower o-rings and a check valve.

## CHEMILIZER PARTS - PUMP - FIXED

Fixed Pump Housing		
FG9936	1% Silicone Pump Cap Assembly*	
FG9936-V	1% Viton Pump Cap Assembly*	
FG9937	2% Silicone Pump Cap Assembly*	
FG9937-V	2% Viton Pump Cap Assembly*	
003921	Filter PVC Assembly	
10095071	Sleeve 1%	
10095072	Sleeve 2%	

\* Includes check valve

Fixed Pump Housing		
10095065*	<p><b>Pump Housing O-rings</b> 117 Viton Pump Housing</p> <p><i>Fits 1% or 2% Pumps</i></p> <ul style="list-style-type: none"> <li>• 1%=1:100, 1:128, 1:250 &amp; 1:500 ratios</li> <li>• 2%=2:100 &amp; 2:128 ratios</li> </ul>	










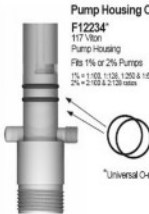








\* Universal o-rings

# CHEMILIZER



## REPAIRS

### Chemical Pump Parts

Chemical Pumps		Pump Stems	
	FG9209-V 1:128 Pump Viton Assembly		FG9609 1:128 Pump Stem Viton
	FG9210-V 1:100 Pump Viton Assembly		FG9610 1:100 Pump Stem Viton
	FG9211-V 2:100 Pump Viton Assembly		FG9611 2:100 Pump Stem Viton
	FG9226-V 2:128 Pump Viton Assembly		FG9626 2:128 Pump Stem Viton
	FG9222-V 1:250 Pump Viton Assembly		FG9622 1:250 Pump Stem Viton
	FG9225-V 1:500 Pump Viton Assembly		FG9625 1:500 Pump Stem Viton
	FG9709 1:128 Pump Silicone Assembly		FG9709 1:128 Pump Stem Silicone
	FG9710 1:100 Pump Silicone Assembly		FG9710 1:100 Pump Stem Silicone
	FG9711 2:100 Pump Silicone Assembly		FG9711 2:100 Pump Stem Silicone
	FG9720 2:128 Pump Silicone Assembly		FG9720 2:128 Pump Stem Silicone
	FG9732 1:250 Pump Silicone Assembly		FG9732 1:250 Pump Stem Silicone
<b>Pump Rebuild Kits</b> All Pump Rebuild Kits Come with Stem, Check Valve and Housing O-Rings			
	FG9409-V 1:128 Pump Rebuild Viton Kit		FG9509 1:128 Pump Rebuild Silicone Kit
	FG9410-V 1:100 Pump Rebuild Viton Kit		FG9510 1:100 Pump Rebuild Silicone Kit
	FG9426-V 2:128 Pump Rebuild Viton Kit		FG9511 2:100 Pump Rebuild Silicone Kit
	FG9423-V 1:250 Pump Rebuild Viton Kit		FG9520 2:128 Pump Rebuild Silicone Kit
	FG9425-V 1:500 Pump Rebuild Viton Kit		FG9522 1:250 Pump Rebuild Silicone Kit
	F15104 Check Valve 2% - Silicone		F15204 Check Valve 1% - Silicone
	F15504 Check Valve 2% - Viton		F15404 Check Valve 1% - Viton
	FG9936-V Pump Cap Assembly 1% Silicone includes Inlet, Check Valve		
	FG9937-V Pump Cap Assembly 1% Viton includes Inlet, Check Valve		
	FG9937-V Pump Cap Assembly 2% Silicone includes Inlet, Check Valve		
	FG6032 Suction Hose Assembly		
			F24150 1/4" Clamp for Suction Hose



Part No	Description
098244	CHEMILIZER PUMP CAP VITON ASSY 1% FG9936
098246	CHEMILIZER PVC FILTER ASS YFG5031
098247	CHEMILIZER MOTOR REBUILD KIT FG5001
098248	CHEMILIZER CHEMICAL HOSE ASSY FG9927
098249	CHEMILIZER SLEEVE KYNAR
098250	CHEMILIZER DIAPHRAM ASSY FG5003

Part No	Description
098230	CHEMILIZER CHEMICAL PUMP 1:128 VITON
098235	CHEMILIZER TENSION BAND (OLD# F12232)
098240	CHEMILIZER VITON O-RING DISC KIT 1% FG9910
098241	CHEMILIZER CHECK VALVE 1% VITON F15404
098242	CHEMILIZER PUMP KIT 1:128 VITON FG9409-V
098245	CHEMILIZER SLEEVE CERAMIC

PHONE  
800-328-8842

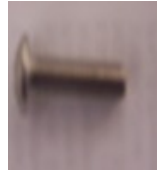
# CHEMILIZER

## SS NUT



Part No	Description
098266	CHEMILIZER SS NUT 10-32 F21015

## SS SCREW



Part No	Description
098265	CHEMILIZER SS SCREW 10-32 F22005

## PRODUCT HN55



Part No	Description
098200	CHEMILIZER HN55 MEDICATOR

## PIVOT ARM



Part No	Description
098254	CHEMILIZER PIVOT ARM ASSY FG5042

## BY-PASS



Part No	Description
098258	CHEMILIZER BY-PASS ASSY FG8017

## I/O VALVE



Part No	Description
098259	CHEMILIZER I/O VALVE ASSY FG5040

## RETAINING CLIP

Part No	Description
098255	CHEMILIZER RETAINING CLIP F24060

# CHEMILIZER



## MOTOR PISTON



Part No	Description
098257	CHEMILIZER MOTOR PISTON CLIP F33006

## PUMP KIT



Part No	Description
098236	CHEMILIZER PUMP KIT 1:128 SILICONE FG9509

## TWIST AIR VENT



Part No	Description
098261	CHEMILIZER TWIST AIR VENT ASSY FG8023

## OUTLET TEE



Part No	Description
098251	CHEMILIZER OUTLET TEE ASSY FG8020

## BOTTOM BODY

Part No	Description
098263	CHEMILIZER MAIN BOTTOM BODY ASSY FG8015

## ACTUATOR



Part No	Description
098253	CHEMILIZER ACTUA ASSY FG5043

## INLET TEE

Part No	Description
098252	CHEMILIZER INLET TEE ASSY FG8019

PHONE  
800-328-8842

## O-RING



Part No	Description
098269	CHEMILIZER O-RINGS 009 10095067

## O-RING



Part No	Description
098271	CHEMILIZER O-RINGS 159 10095054

## O-RING

Part No	Description
098239	CHEMILIZER O-RING LOWER SEAL 10095064 (50-PACK)
098270	CHEMILIZER O-RINGS 119 10095053
098272	CHEMILIZER O-RINGS 109 10095058

# CHEMILIZER

## BOTTOM CAP

Part No	Description
098264	CHEMILIZER BOTTOM CAP ASSY FG8016

## PARTS

Part No	Description
098256	CHEMILIZER 1/4" CAP F11020
098260	CHEMILIZER TOP CAP ASSY FG8013
098262	CHEMILIZER MAIN TOP BLDY ASSY FG8014
098267	CHEMILIZER I/O SCREW F22002
098268	CHEMILIZER PISTON GUIDE INSERT F13075

## ADJUSTABLE PUMP

Part No	Description
098273	CHEMILIZER ADJUSTABLE PUMP 50:1- 164:1. 2%-0.6%

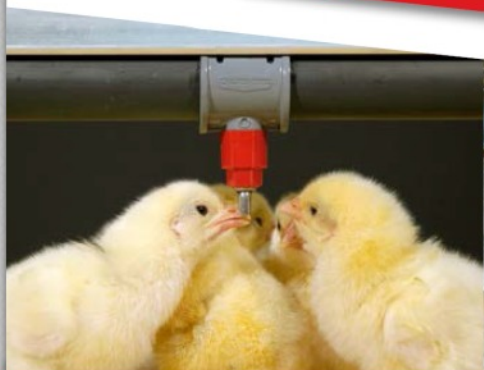


# CHORE-TIME Products for Poultry Production



## CHORE-TIME

®



Chore-Time delivers the innovative systems you need  
for complete production of Broilers,  
Breeders and Turkeys.

Contact us today or visit  
[www.palsusa.com](http://www.palsusa.com)  
for more information.

Tel. 320.235.8860  
Toll-Free 800.328.8842  
[lori.kloster@palsusa.com](mailto:lori.kloster@palsusa.com)

# PALS<sup>™</sup>

Supplier Of Choice

**PALS**

3735 West 1st Ave, Willmar, MN 56201

Authorized Independent Chore-Time Distributor