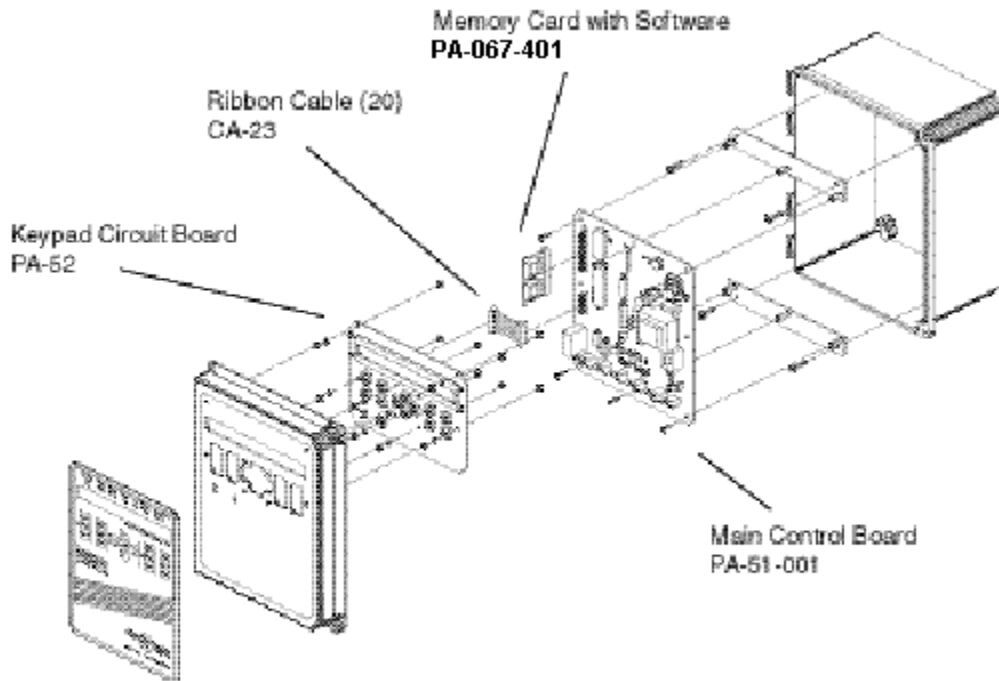


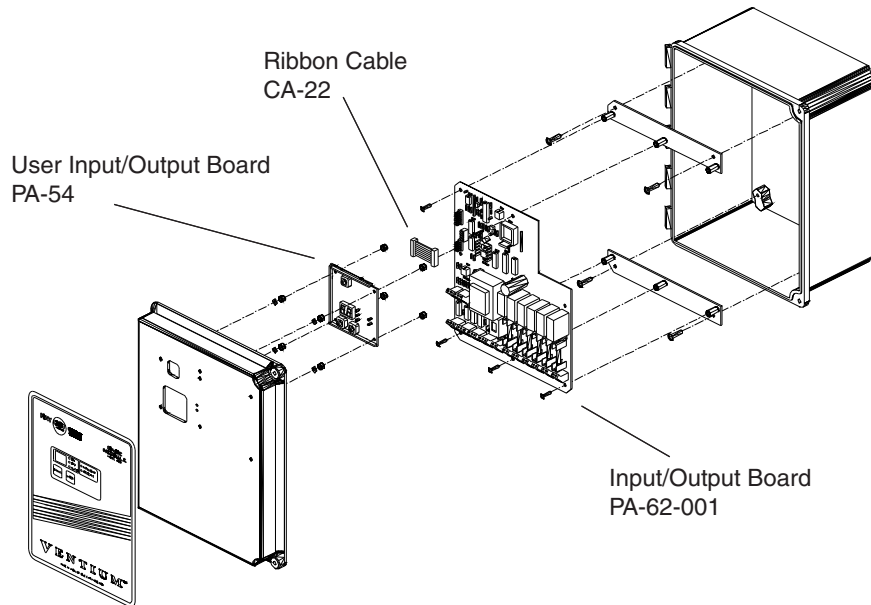
# Ventium Control Center Model 100 Repair Parts List



## Parts

Description	Part Number	Price
Ribbon cable	CA-23	
Fuse SloBlo .125 amp 5x20 mm	FS-11	
Memory card with program for Ventium	PA-067- 401	
Main control board	PA-51- 001	
Keypad circuit board	PA-52	

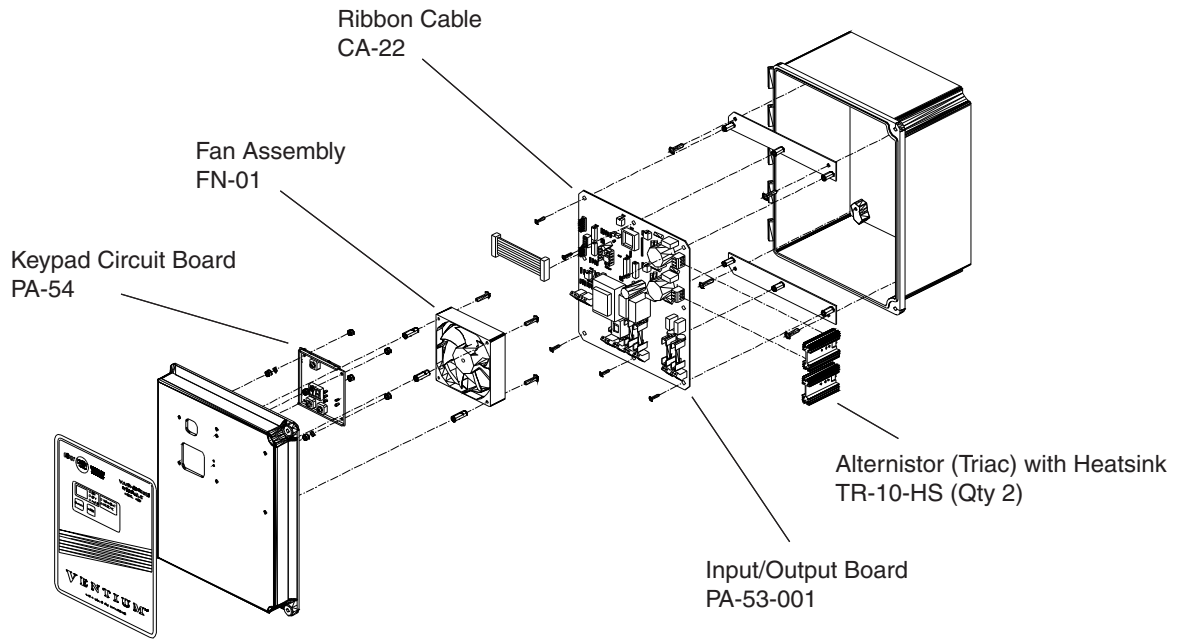
# Ventium Base Module Model 600 Repair Parts List



## Parts

Description	Part Number	Price
Ribbon cable	CA-22	
Fuse SloBlo .125 amp 5x20 mm	FS-11	
Fuse 3AB 15 amp SloBlo	FS-14	
Keypad circuit board	PA-54	
Input / output board	PA-62-001	

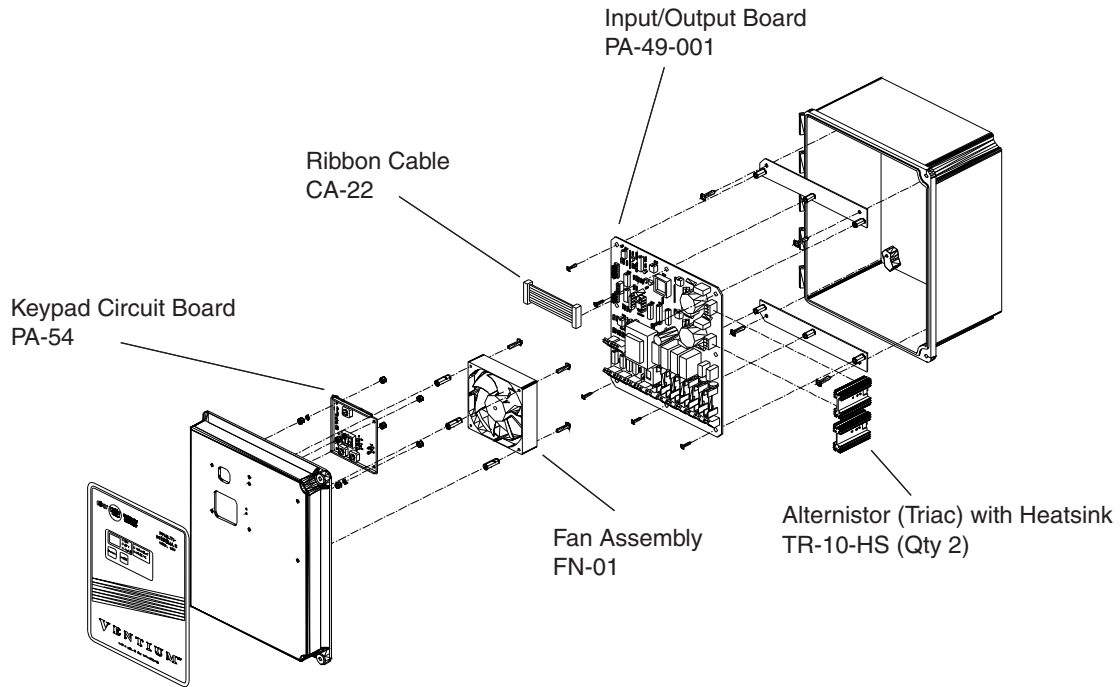
# Ventium Vari Module Model 400 Repair Parts List



## Parts

Description	Part Number	Price
Ribbon cable	CA-22	
Fan assembly	FN-01	
Input / output variable speed board	PA-53-001	
Keypad circuit board	PA-54	
Alternistor, Q6040K7, with heatsink	TR-10-HS	

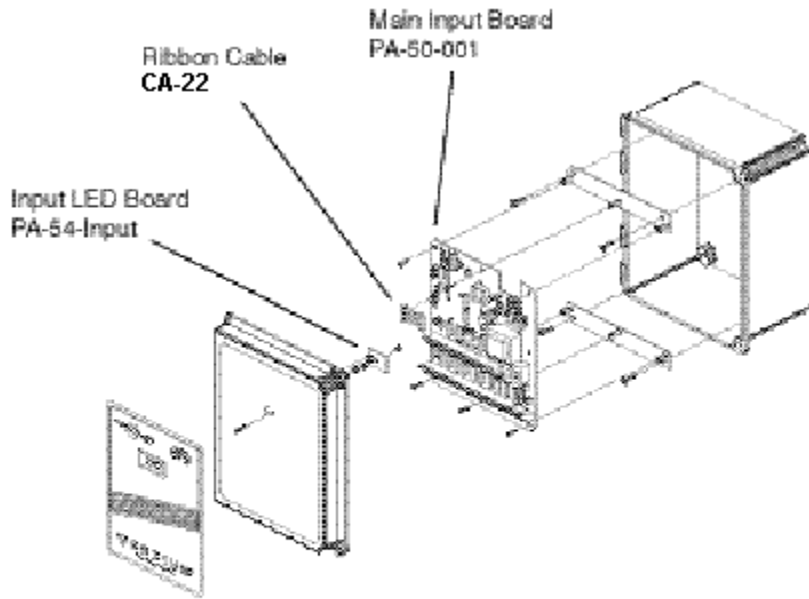
# Ventium Multi Module Model 500 Repair Parts List



## Parts

Description	Part Number	Price
Ribbon cable	CA-22	
Fan assembly	FN-01	
Input / output board	PA-49-001	
Keypad circuit board	PA-54	
Alternistor, Q6040K7, with heatsink	TR-10-HS	

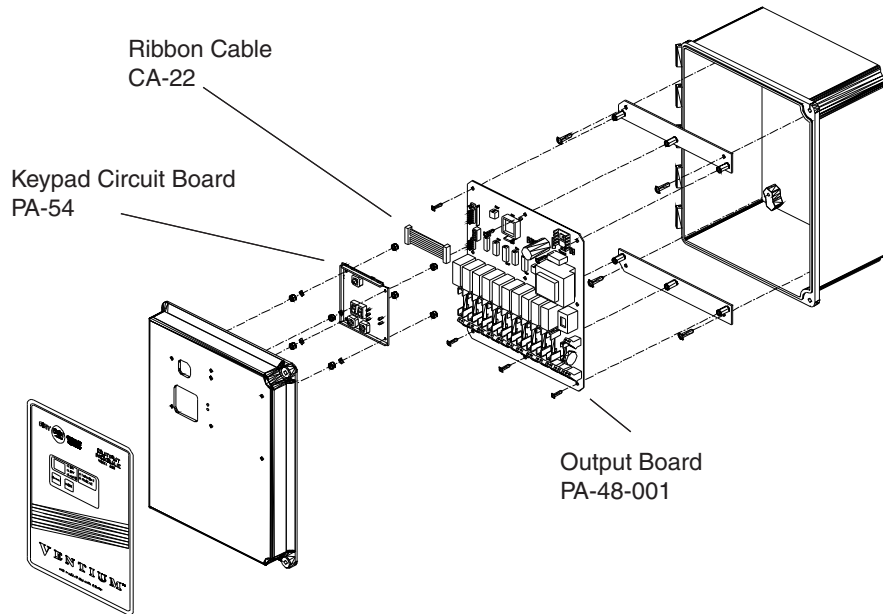
# Ventium Input Module Model 200 Repair Parts List



## Parts

Description	Part Number	Price
Ribbon cable	CA-22	
Fuse SloBlo .125 amp 5x20 mm	FS-11	
Main input board	PA-50-001	
Input LED board	PA-54- Input	

# Ventium Output Module Model 300 Repair Parts List



## Parts

Description	Part Number	Price
Ribbon cable	CA-22	
Fuse SloBlo .125 amp 5x20 mm	FS-11	
Fuse 3AB 15 amp SloBlo	FS-14	
Output board	PA-48-001	
Keypad circuit board	PA-54	

