

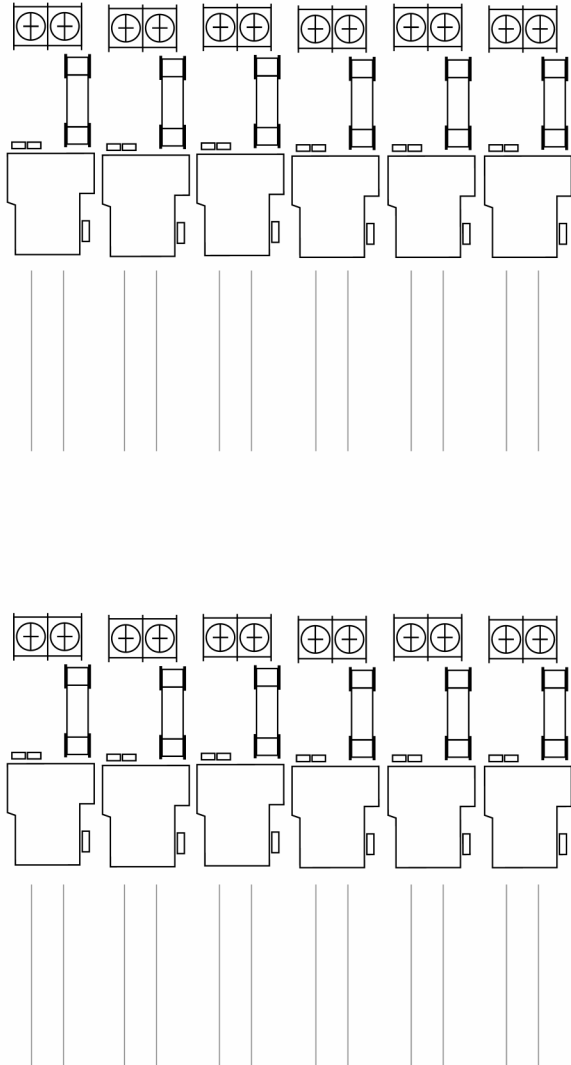
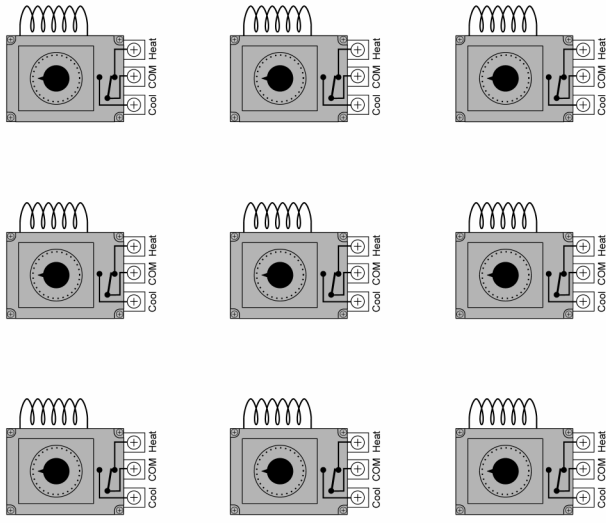
Installation Checklist

The installer should use the following checklist to ensure the ThermoTRAC is installed and wired properly. Make several copies of the Wiring Plan Worksheet on the next page so that you can plan your wiring strategy.

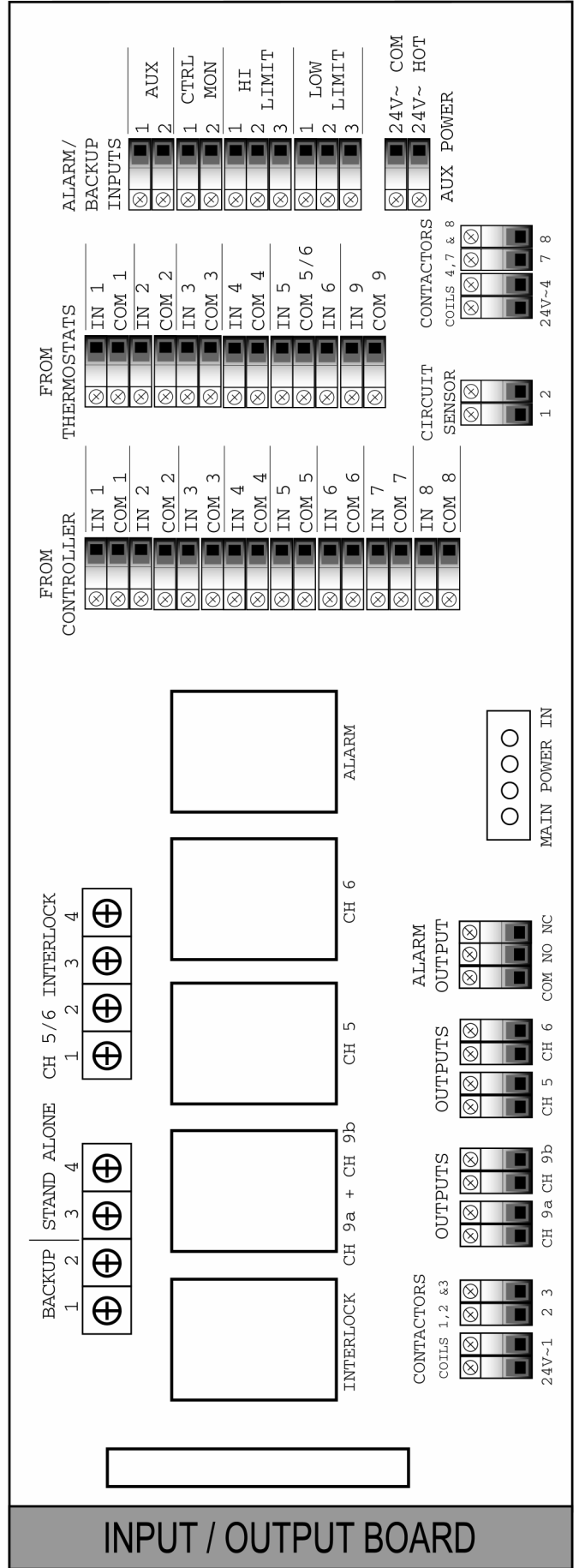
- Enclosure:** Using the mounting holes provided, mount the enclosure in an indoor location where exposure to temperature extremes and direct sunlight can be avoided. Use caution when drilling holes in the enclosure to prevent damage to internal components.
- High Limit Thermostat:** See page 11 in the *Installation and Operation Manual* – Locate in monitored area and wire to ALARM/BACKUP INPUTS. You can use the Cool side of this thermostat to turn on other channels.
- Low Limit Thermostat:** See page 11 – Install in monitored area and wire to ALARM/BACKUP INPUTS. You can use the Heat side of this thermostat to turn on heaters.
- Control Voltage Monitor Input:** (Optional) See page 13 – Install in primary controller and wire to ALARM/BACKUP INPUTS. Install a jumper if not used.
- Auxiliary Input:** See page 14 – Install auxiliary sensor and wire to ALARM/BACKUP INPUTS. Install a jumper if not used.
- Contactor Thermostats:** See page 15 – Install in monitored area and wire to FROM THERMOSTATS inputs 1 through 4.
- Air Inlet Control Thermostat:** See page 16 – Install in monitored area and wire to FROM THERMOSTATS inputs 5 and 6. Install single or dual thermostats for control.
- Heat Thermostat:** See page 18 – Install in monitored area and wire to FROM THERMOSTATS input 9. See alternate wiring option using the Low Limit Thermostat.
- FROM CONTROLLER Inputs:** See Page 19 – Only wired if configured for backup or contactor panel use.
- Wiring Input Power:** See page 20 – Wire 200-240 VAC input power using independent circuit breaker.
- Air Inlet Relays:** See page 20 – Wire as appropriate. (Channels 5 and 6).
- Heat Relay:** See page 20 – Wire as appropriate. (Channels 9a and 9b).
- Alarm Output:** See page 21 – Attach alarm devices.
- Contactor Wiring:** See page 21 – Wire 2/4 pole contactors as appropriate.
- Optional DPDT Relays:** See page 23 – Wire as appropriate.
- BACKUP or STAND-ALONE Jumper and DIP Switch:** See page 24 – Configure for stand-alone or backup use.
- Air Inlet Interlock Jumpers:** See page 25 – Select one of four interlock options that will prevent or allow simultaneous open/close of an inlet device.
- ThermoTRAC Timer:** (Optional) See the *Timer Installation Guide* – If it wasn't already installed at the factory, install the Timer assembly and the front panel dials.
- AmpGuard Sensor:** (Optional) See page 28 – Install sensor. Set CIRCUIT AMPS dial.

ThermoTRAC installed by (signature of installer):	Date:
---	-------

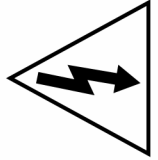
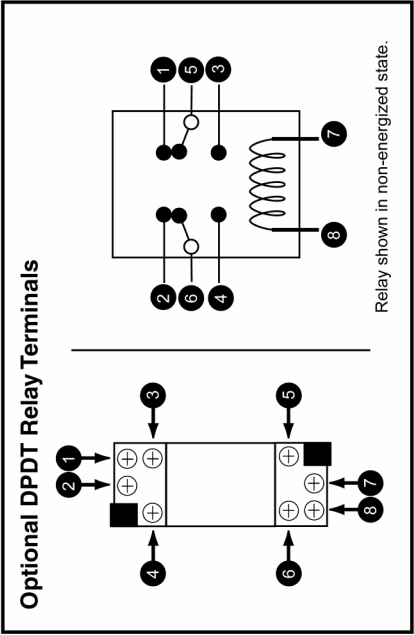
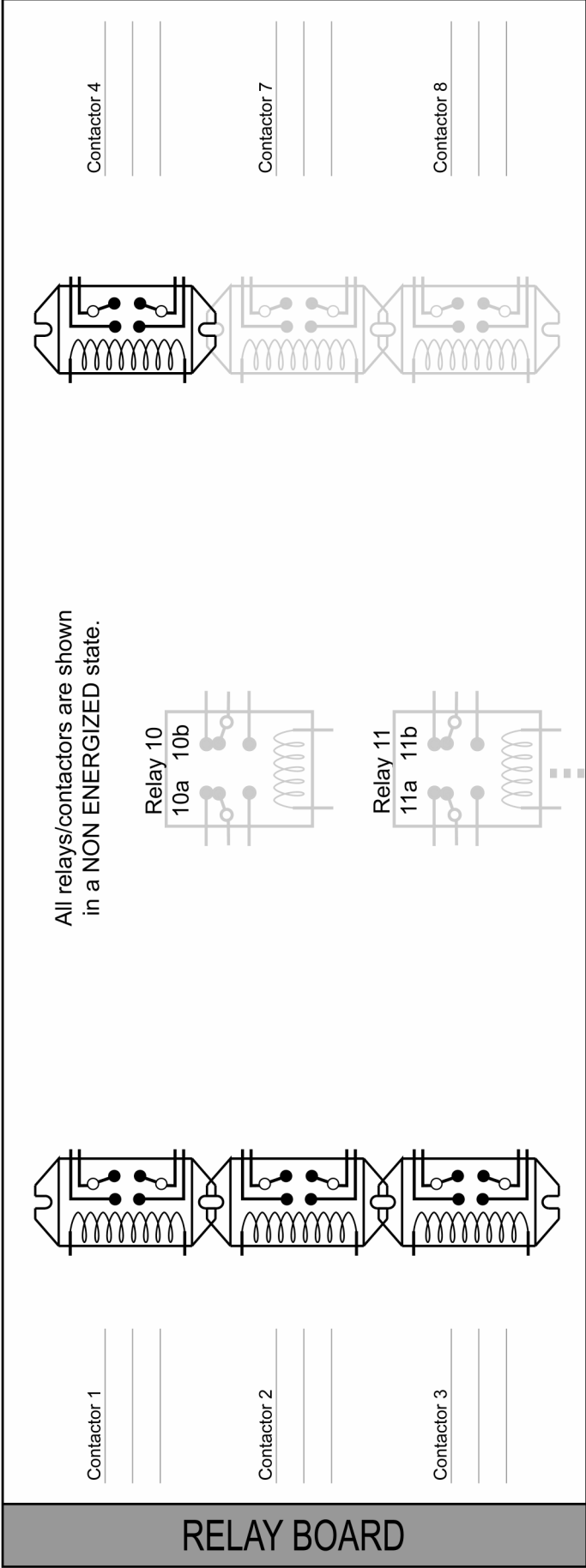
THERMOSTATS



PRIMARY CONTROLLER



INPUT / OUTPUT BOARD



- Always disconnect power before doing wiring of any kind.
- Always wire this unit to an independent circuit breaker. This is especially important when the unit is used as a backup to a primary controller. You wouldn't want a failure of the primary controller's circuit breaker to also disable the backup unit.
- Ideally each output channel (fans, inlets, etc.) should have its own breaker to insure that tripping one breaker will not affect other devices in the ventilation system.
- Motors must have a thermal overload protection device or impedance protection. The overload should auto-reset for any essential equipment.

Initial Use Checklist

- Startup:** Flip on the circuit breaker to power-up the ThermoTRAC and then confirm the power indicator is lit. Based on the POWER-UP RESET option selected (page 28), the ThermoTRAC should either start up in an active backup (alarm) state or reset to standby if the inputs are all satisfied.
- Channel Toggle Switches:** Flip each toggle switch from OFF to ON and back to AUTO, verifying the attached equipment and status light operate properly.
- TEST and RESET Toggle Switches:** Check for proper operation.
- Alarm Output:** Check for proper operation.
- Thermostats:** Check each thermostat for proper operation. Momentarily adjust for abnormal conditions and verify operation.
- ThermoTRAC Timer (optional):** Verify all Timer functions including the ON and OFF times.
- AmpGuard Sensor (optional):** Verify proper operation with the Timer.
- Primary Controller:** Check primary controller operation in conjunction with ThermoTRAC.

ThermoTRAC tested by (signature of installer):	Date:
--	-------

Daily Operation Checklist

You should review the following items at least daily:

- Check to see if the ThermoTRAC has entered an active backup/alarm state (indicated by the ALARM indicator being on). You should attach a siren, strobe light or auto dialer to the ThermoTRAC to provide instant notification.
- Check the POWER indicator to ensure the ThermoTRAC's power supply is operating.
- Check that the animals appear comfortable. Check the temperature, humidity and air quality.
- If you are operating the ThermoTRAC in backup mode, adjust all thermostats attached to the ThermoTRAC to match changes in the primary controller's setpoint temperature. Improperly adjusted thermostats may start devices when you don't want them to. They will not provide effective backup when needed.
- If you are operating the ThermoTRAC in stand-alone mode, adjust all thermostats to the proper settings for the current animal age and weight.
- Flip the ThermoTRAC's TEST switch at least weekly to ensure it enters an active backup state (or activates the alarm relay in stand-alone mode) properly. You'll need to flip the RESET switch to end the test.