



**HIRED-HAND®**

---

# PVR-2 Relay Units with Switches

**Hired Hand, Inc.  
1733 Co Rd 68  
PO Box 99  
Bremen, AL 35033**

**Manual Part No. 4801-1022**

# PVR-2 Relay Units

*With Switches*

<b>1. WARNINGS</b> .....	2
<b>2. LIMITED WARRANTY</b> .....	3
<b>3. PHYSICAL DESCRIPTION</b> .....	3
<b>4. USE OF EQUIPMENT</b> .....	4
<b>5. INSTALLATION</b> .....	4
<b>6. OPERATION</b> .....	4
6.1. MANUAL CONTROL .....	4
6.2. AUTOMATIC CONTROL .....	4
<b>7. WIRING DIAGRAM</b> .....	4
7.1. PVR-2 WITH SWITCHES (120V, 60Hz) .....	5
7.2. PVR-2 WITH SWITCHES (240V, 60Hz).....	6
7.3. PVR-2 WITH SWITCHES (240V, 50Hz).....	7

## 1. Warnings

### Warning!

When this relay unit is used in a life support heating and ventilation system where failure could result in loss or injury, the user should provide adequate back-up, or accept the risk of such loss or injury!

### Warning!

Wiring and connections must comply with all national and local electrical codes. Installation by qualified electrician required!

### Warning!

Electrical shock may occur if the enclosure is opened with power connected to the unit. Before opening the enclosure, make sure that all power sources to the unit are disconnected!

## 2. Limited Warranty

All products are warranted to be free from defects in material and workmanship for a period of one year from the date of purchase if installed and used in strict accordance with the installation instructions. Liability is limited to the sale price of any products proved to be defective or, at manufacturers option, to the replacement of such products upon their return. No products are to be returned to the manufacturer, until there is an inspection and/or a return-goods authorization (RGA) number is issued.

All complaints should be directed first to the authorized distributor who sold the product. If satisfaction is not obtained or the name of the distributor is not known, write the manufacturer that appears below, directed to the attention of Customer Service Manager.

This limited warranty is expressly in lieu of any and all representations and warranties expressed or implied, including any implied warranty of merchantability or fitness for a particular purpose. The remedy set forth in this limited warranty shall be the exclusive remedy available to any person. No person has authority to bind the manufacturer to any representation or warranty other than this limited warranty. The manufacturer shall not be liable for any consequential damages resulting from the use of our products or caused by any defect, failure or malfunction of our products. (Some areas do not allow the exclusion or limitation of incidental or consequential damages, so the above limitation or exclusion may not apply to you.)

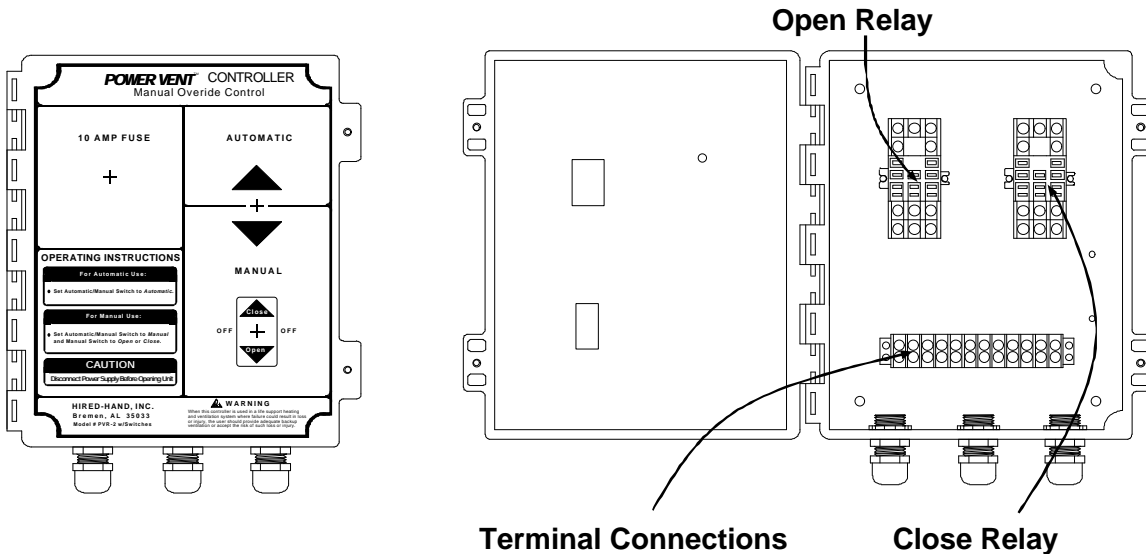
This warranty gives you specific legal rights and you may also have other rights that vary from area to area.

### Warrantor:

Hired-Hand, Inc.  
1733 Co. Rd. 68  
PO Box 99  
Bremen, AL 35033

## 3. Physical Description

The PVR-2 with Switches is shown below both closed and with the door open. The major components are labeled as well.



## 4. Use of Equipment

This unit is used to control a curtain (vent) machine from a separate controller (with dry contacts), and still allow local manual control of curtain (vent) position. This relay box does not have a thermostat, or any temperature sensing device to use in operating the machine.

## 5. Installation

1. Mount unit to wall near power supply.
2. Connect nine conductor wire from PowerTrak to the terminals shown on the wiring diagram in the back of this manual.
3. Connect wires from controller to terminals as shown in the wiring diagram in the back of this manual. Note that the unit requires dry contacts for automatic operation, as the PVR-2 has it's own power supply.
4. Close door and apply power to the machine.
5. Test machine by placing the Automatic/Manual switch in "Manual", and by toggling the Open/Close/Off switch in the direction you want to test the controller.
6. If the controller operates backwards (machine opens with switch in close position), switch the wires as shown on the wiring diagram in the back of the manual. (This procedure is labeled "To Reverse Open and Close Directions").

## 6. Operation

### 6.1. *Manual Control*

When the Automatic/Manual switch is in Manual, the controller will open and close the curtains or vents whenever the bottom switch is in its open or close position. The center position of the switch is the off position.

### 6.2. *Automatic Control*

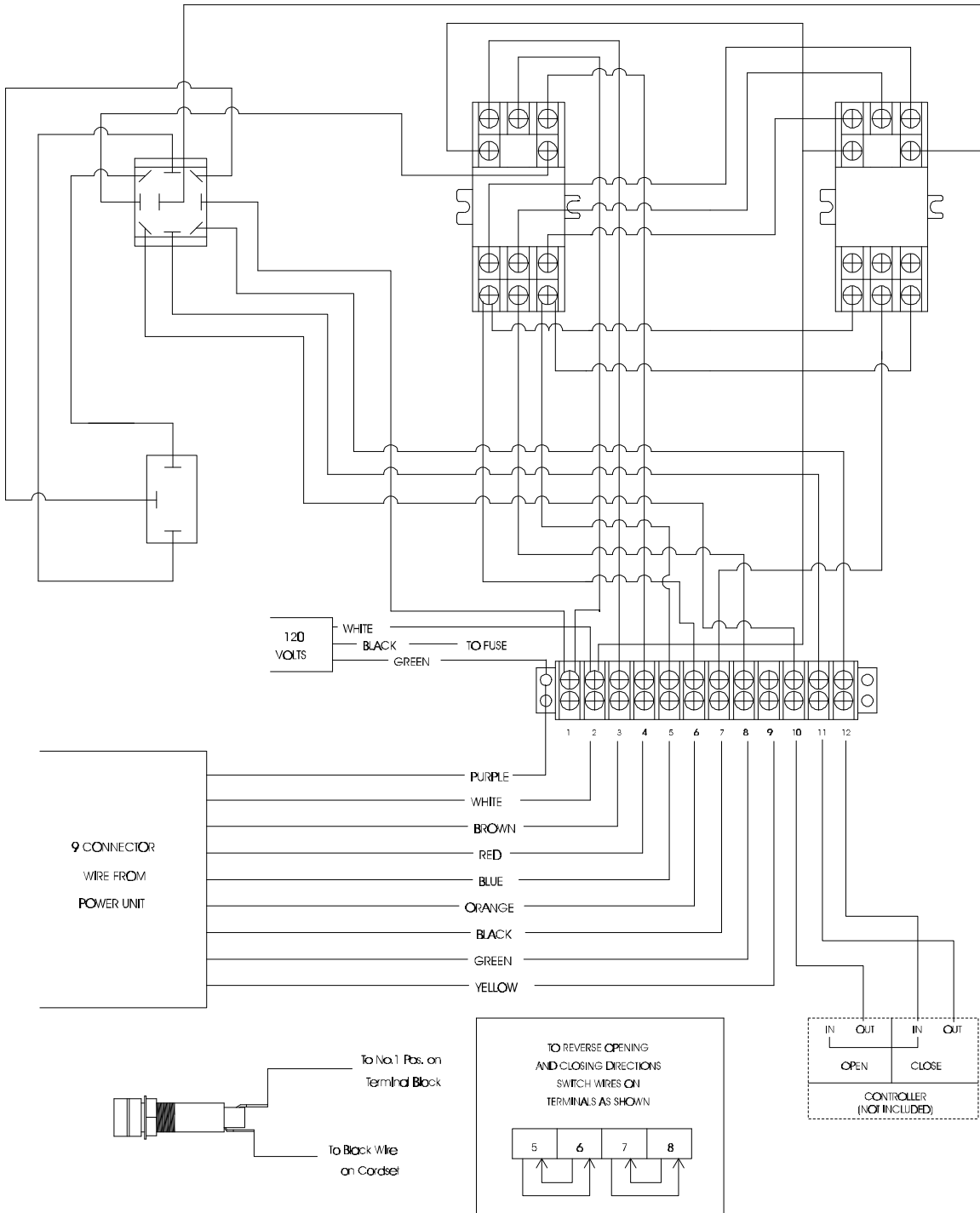
To place the PVR-2 in automatic operation, select "Automatic" with the top toggle switch on the control box.. The terminals (position 10, 11, and 12 on the terminal strip) need to be connected through dry contacts wired as shown in the wiring diagram at the back of the manual.

Position 10 is the open terminal, position 11 is the close terminal, and position 12 is common terminal.

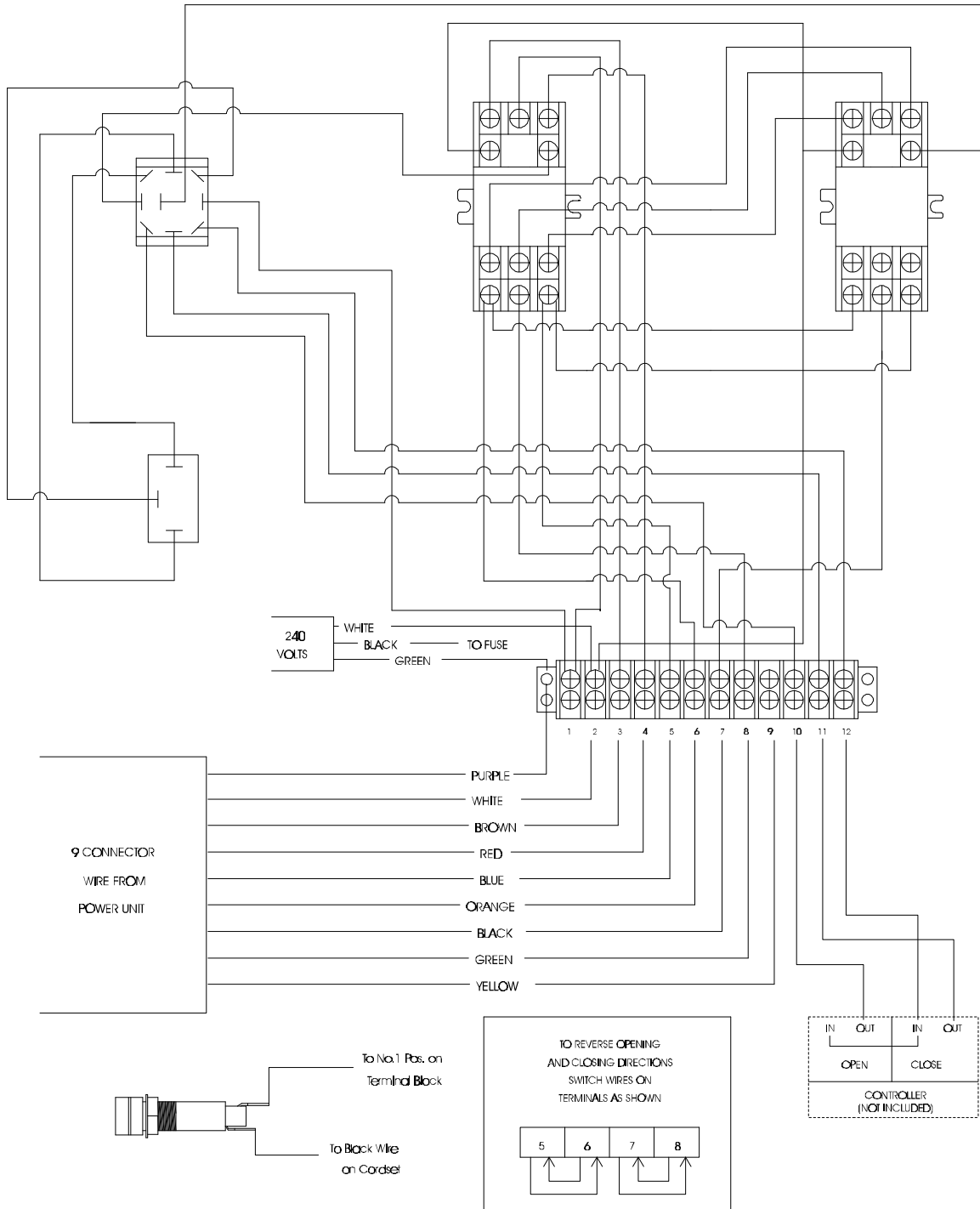
## 7. Wiring Diagram

This section contains wiring diagrams of each model of the PVR-2 relay box. All connections are shown, as well as controller hookup.

### 7.1. PVR-2 with Switches (120V, 60Hz)



## 7.2. PVR-2 with Switches (240V, 60Hz)



### 7.3. PVR-2 with Switches (240V, 50Hz)

