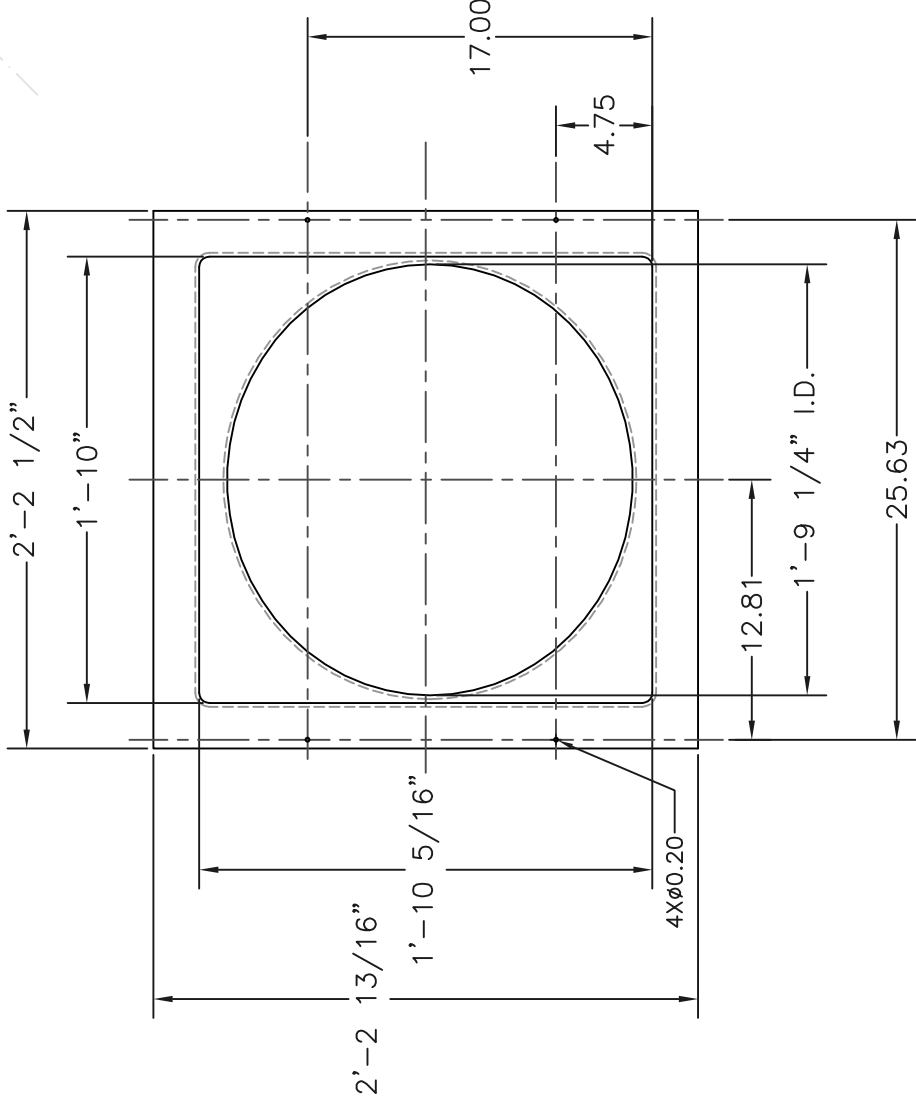
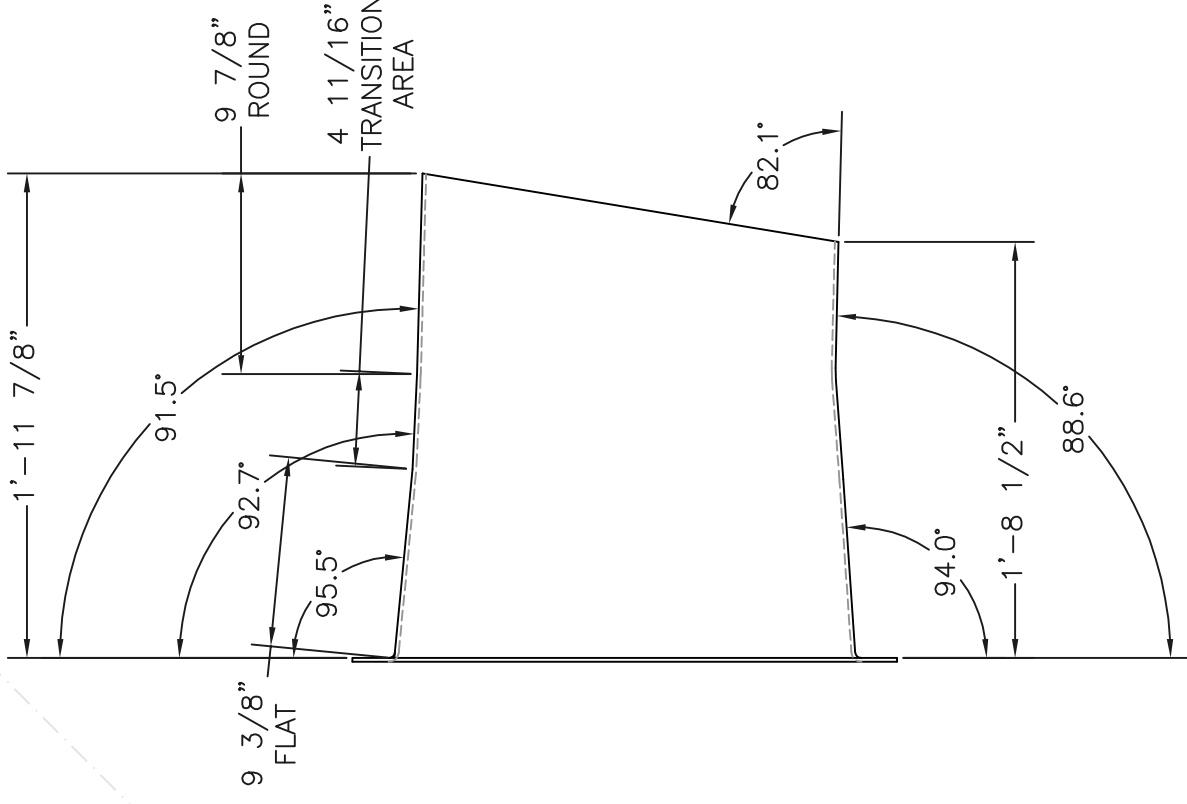
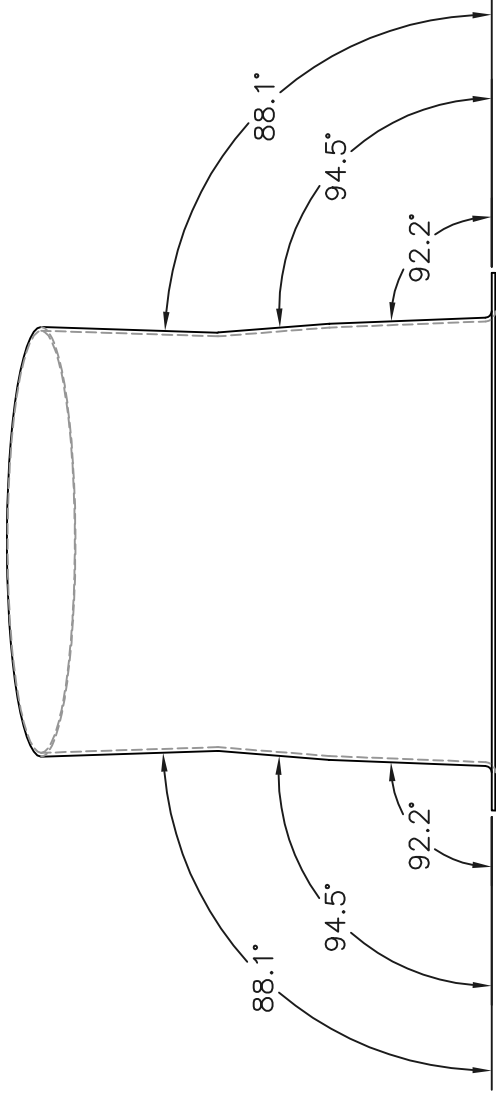


DRAWING REVISIONS

REV.:	BY:	DATE:	DESCRIPTION OF CHANGE	ECO NUMBER:
A	JMH	102903	ADJUST OVERALL LENGTH OF HOUSING	N/A
B	JFW	081106	ADDED HOLES FOR SHUTTER CLIPS 4X	RA1151



NOTE:

ALL INSIDE CORNERS SHALL HAVE A MINIMUM RADIUS OF .500" UNLESS OTHERWISE NOTED.

MATERIAL THICKNESS SHALL BE .1875".

ALL INSIDE SURFACES OF THE FAN HOUSING SHALL HAVE A WHITE SMOOTH GEL COAT FINISH.

ALL OUTSIDE SURFACES SHALL BE WHITE.

AT 14" FROM TOP OF ORIFICE THE INSIDE DIAMETER MUST BE A MINIMUM OF 20.5".

NOTE:

ALL DIMENSIONS SHOWN ARE FINAL INSIDE MEASUREMENTS. NO CONSIDERATIONS HAVE BEEN MADE TO ACCOUNT FOR MATERIAL OR CASTING SHRINKAGE.

TOLERANCES UNLESS OTHERWISE SPECIFIED		DATE: 102903	RAYDOT LLC	
FRACTIONS ± 1/32	ENGR:	DRAWN BY: JMH	FAN HOUSING FOR FW-20" FAN	
DECIMALS ± .030	APPROVED:	ENGR:	NEW DRAWING NUMBER	
INCH XX ± .020	DWG:	DATE:	SCALE: NONE SHEET 1 OF 1	
.XXX ± .010	NEW		FP805D	
ANGLES ± 0°30'				
OLD DWG. #				