



Big Dutchman[®]

project description	DRYRAPID CONTROLER
	CONNECTION DIAGRAM
CODE NO.	
customer	
order number	
drawing number	21-00019-00
drawn	CWILKE
date	05.05.06
Total number of pages	5

Grounding, connecting to ground or protective circuit is to be carefully executed at side according to the valid instructions for electric systems in according with the regulations of the responsible EVU !

The connections for the ground conductor are to be arranged accessible and individually separable.

In case of works at the electrical systems the safety regulations are to be observed.

The nominal current of the rotary current motors are to be tested at side and adjusted at the protective motor switch resp. the excess current-release.

Before the initial operation, the threaded terminals ends and clamped connections are to be examined as regards a perfect contact according the VDE regulations !

The information on this drawing shall not be copied nor passed on without our written consent.

	date	name	Big Dutchman Pig Equipment Auf der Lage 2 49377 Vechta Tel. +49 (0)4447/801-0 Fax. .../801-237 www.bigdutchman.de	project description DRYRAPID CONTROLER	Chapter A
drawn	05.05.06	CWILKE			drawing number 21-00019-00
chkd.					

The information on this drawing shall not be copied nor passed on without our written consent.

1

2

3

4

5

6

7

8

Test record

Examination according to VDE 011 T. 600

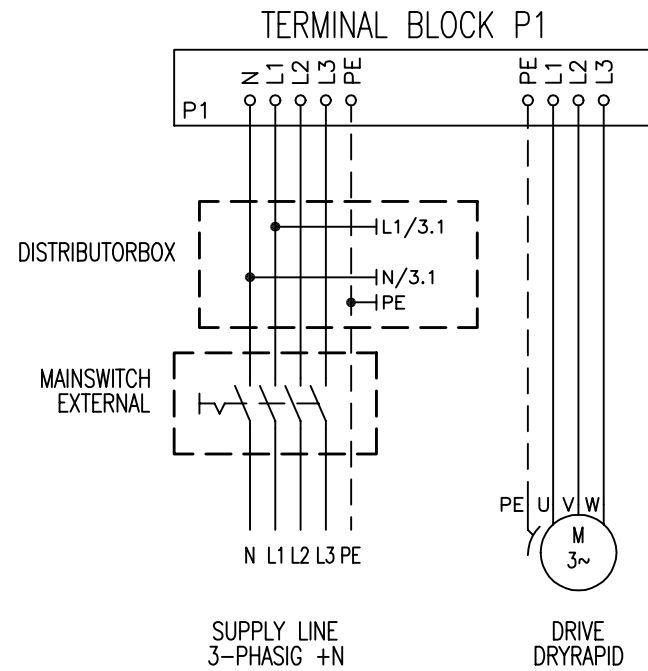
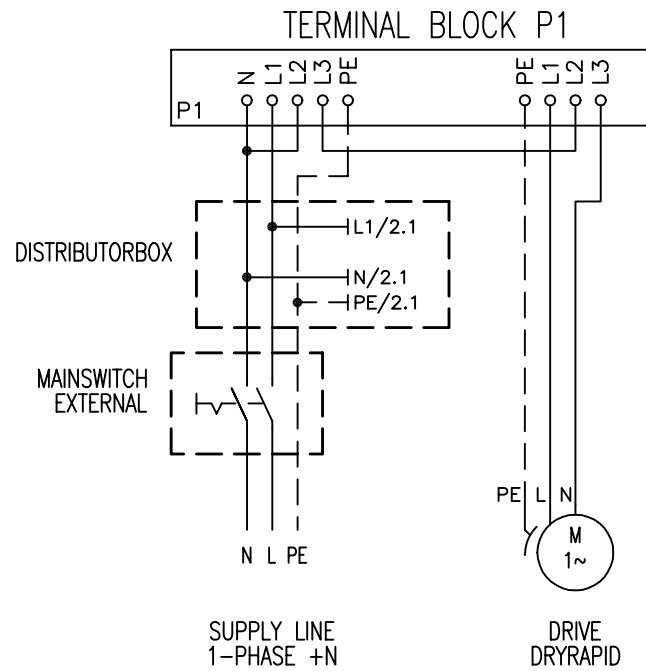
o.k.	<i>Checking and general examination</i>	o.k.	<i>Test safety control</i>
<input type="checkbox"/>	Visual inspection	<input type="checkbox"/>	Examination of the measurements for the protection against dangerous ground current (FI) (according VDE 0100 part 410)
<input type="checkbox"/>	Type of control box or housing as well as colours	<input type="checkbox"/>	Examination of the measurements for the protection in case of direct contact Arrangement of actuating elements (according to VDE 0106, part 100/VBG4)
<input type="checkbox"/>	appliance inscription / marking / name tags (fixing)	<input type="checkbox"/>	Examination of the measurements for protection in case of indirekct contact Testing protective conductor tracks and their connections, particulary at conductive structural parts, control elements, etc.
<input type="checkbox"/>	appliance equipment according to drawing / parts list / list		
<input type="checkbox"/>	conductor colours main circuits		
<input type="checkbox"/>	conductor colours control circuits		
<input type="checkbox"/>	PE- und N- type conductor, conductor colour, guide (do not loop PE)		
<input type="checkbox"/>	Mechanical test		
<input type="checkbox"/>	locking / locking device /lock	o.k.	<i>Final inspection</i>
<input type="checkbox"/>	Screw connection / Appliance installation (spot check)	<input type="checkbox"/>	system cleaned
<input type="checkbox"/>	Arrangement of the Wiring / Fastening (not over edges)	<input type="checkbox"/>	circuit diagrams, operating instructions enclosed
<input type="checkbox"/>	Electrical connections / Appliances and busbar system (spot check)	<input type="checkbox"/>	type plate Big Dutchman
<input type="checkbox"/>	Electrical performance check with nominal voltage	<input type="checkbox"/>	information sign high-voltage protector
<input type="checkbox"/>	Circuit / Control / Locking		
<input type="checkbox"/>	residual current operation device (if required with fault current)		
		Fitter : _____ Examiner : _____	
		date _____ date _____	
o.k.	<i>Insulation test</i>		
<input type="checkbox"/>	Proof of the insulation resistance (insulation measuring appliance with min. 500V) Examination of the insulation resistance (>1000 Ohm/V per electric circuit)		
<input type="checkbox"/>	Phase against Cage/Ground		
<input type="checkbox"/>	Phase against Phase (L1-L2, L1-L3, L2-L3)		
<input type="checkbox"/>	stand-by circuits to housing / ground		
<input type="checkbox"/>	N to PE (only in case of 5-conductor system)		

The carrying out of the routine check test at the manufacurer does not release the erector from the duty to check the switching appliance combination after the transport and the erection e.g. as regards transport damages, loosening of screws and that sotr of thing.

(VDE 0660 part 500 § 8.1.2.)

	date	name		project description DRYRAPID CONTROLER	Chapter A
drawn	05.05.06	CWILKE			
chkd.				drawing number 21-00019-00	sheet: 2 of: 2

The information on this drawing shall not be copied nor passed on without our written consent.



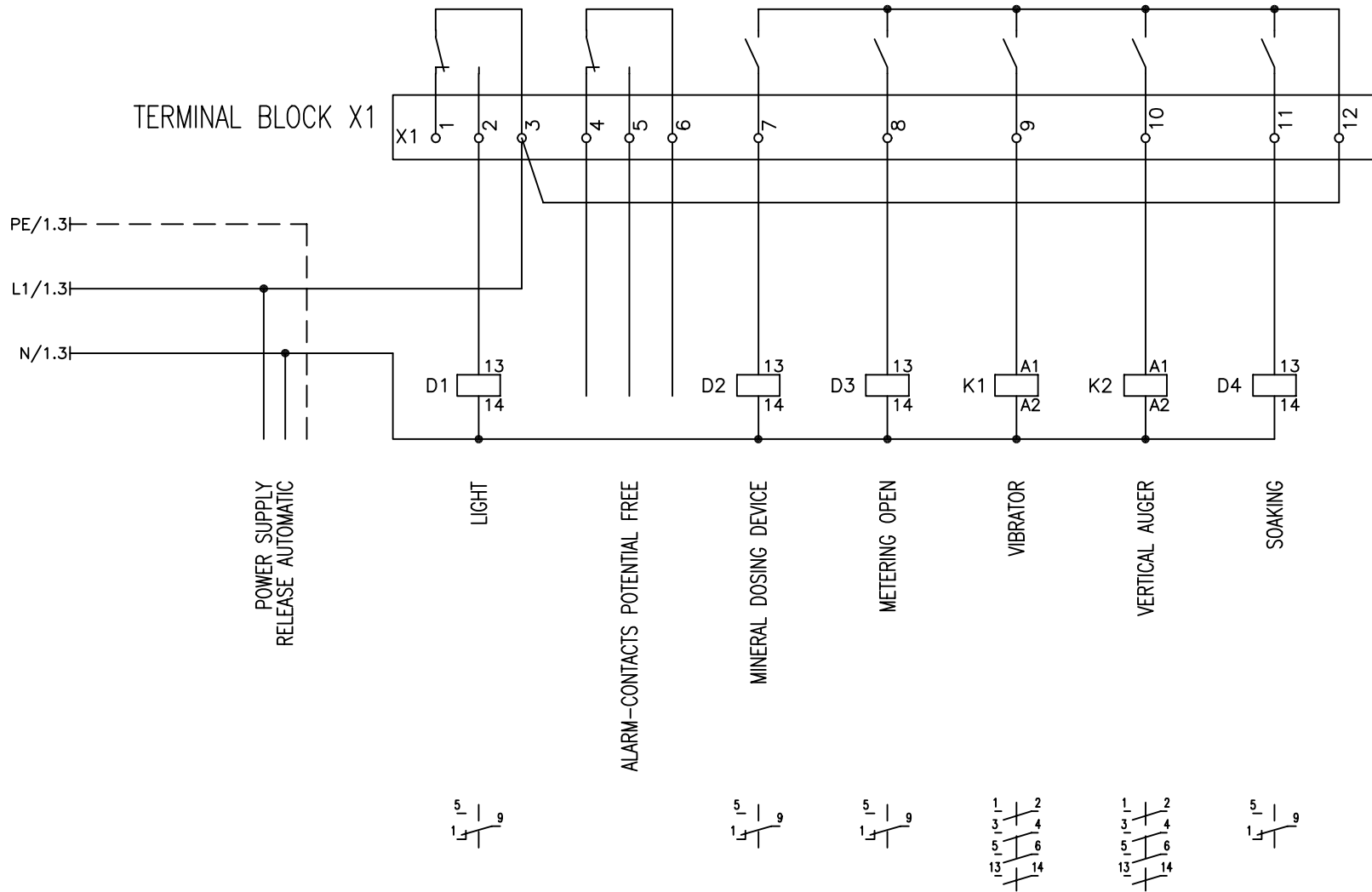
	date	name
drawn	05.05.06	CWILKE
chkd.		



project description DRYRAPID CONTROLER	drawing number 21-00019-00
---	-------------------------------

Chapter B
sheet: 1 of 3

The information on this drawing shall not be copied nor passed on without our written consent.



	date	name
drawn	05.05.06	CWILKE
chkd.		



Big Dutchman®

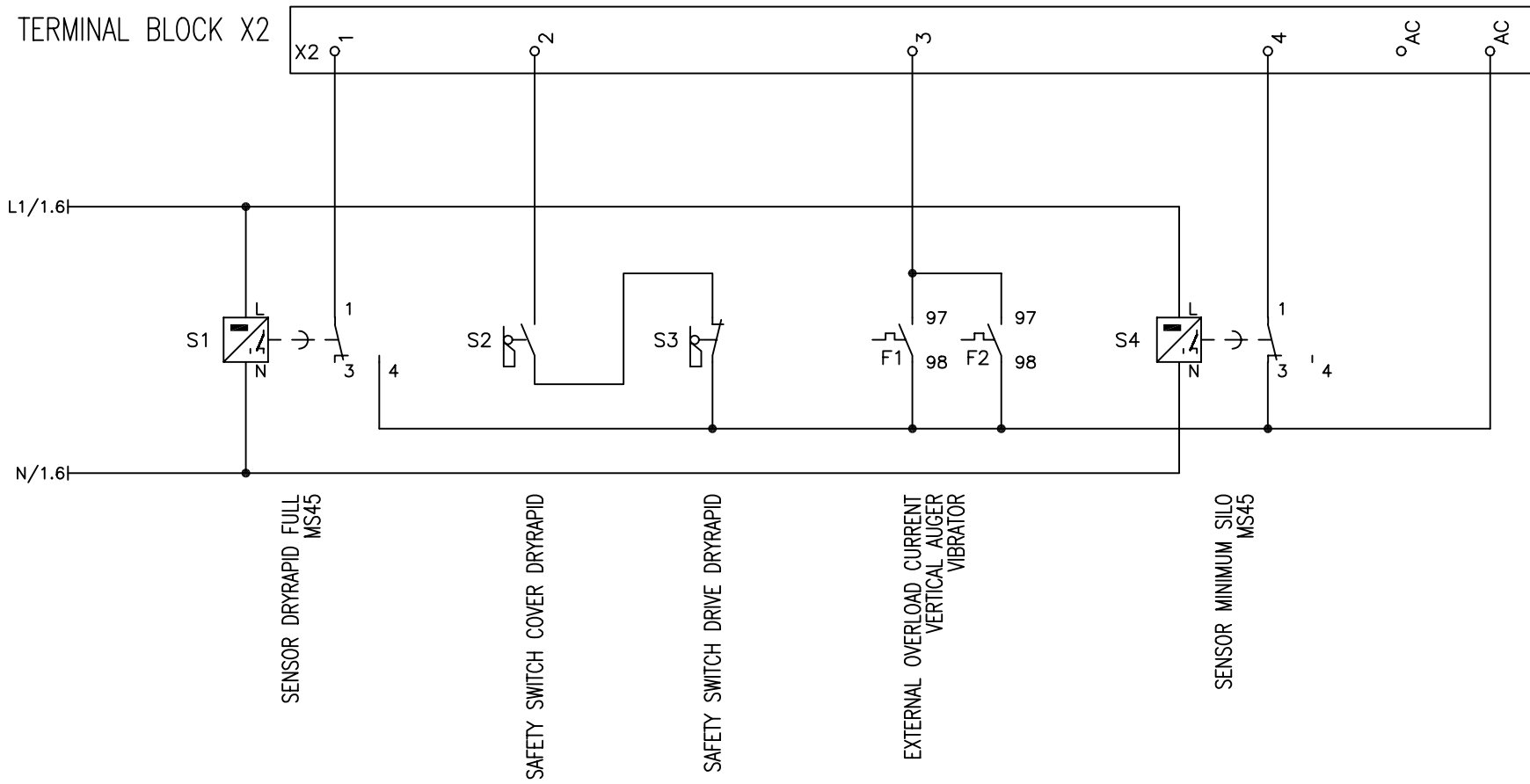
project description
DRYRAPID CONTROLLER

drawing number
21-00019-00

Chapter B

sheet: 2 of 3

The information on this drawing shall not be copied nor passed on without our written consent.



	date	name
drawn	05.05.06	CWILKE
chkd.		



project description	DRYRAPID CONTROLLER
drawing number	21-00019-00

Chapter B
sheet: 3 of 3