

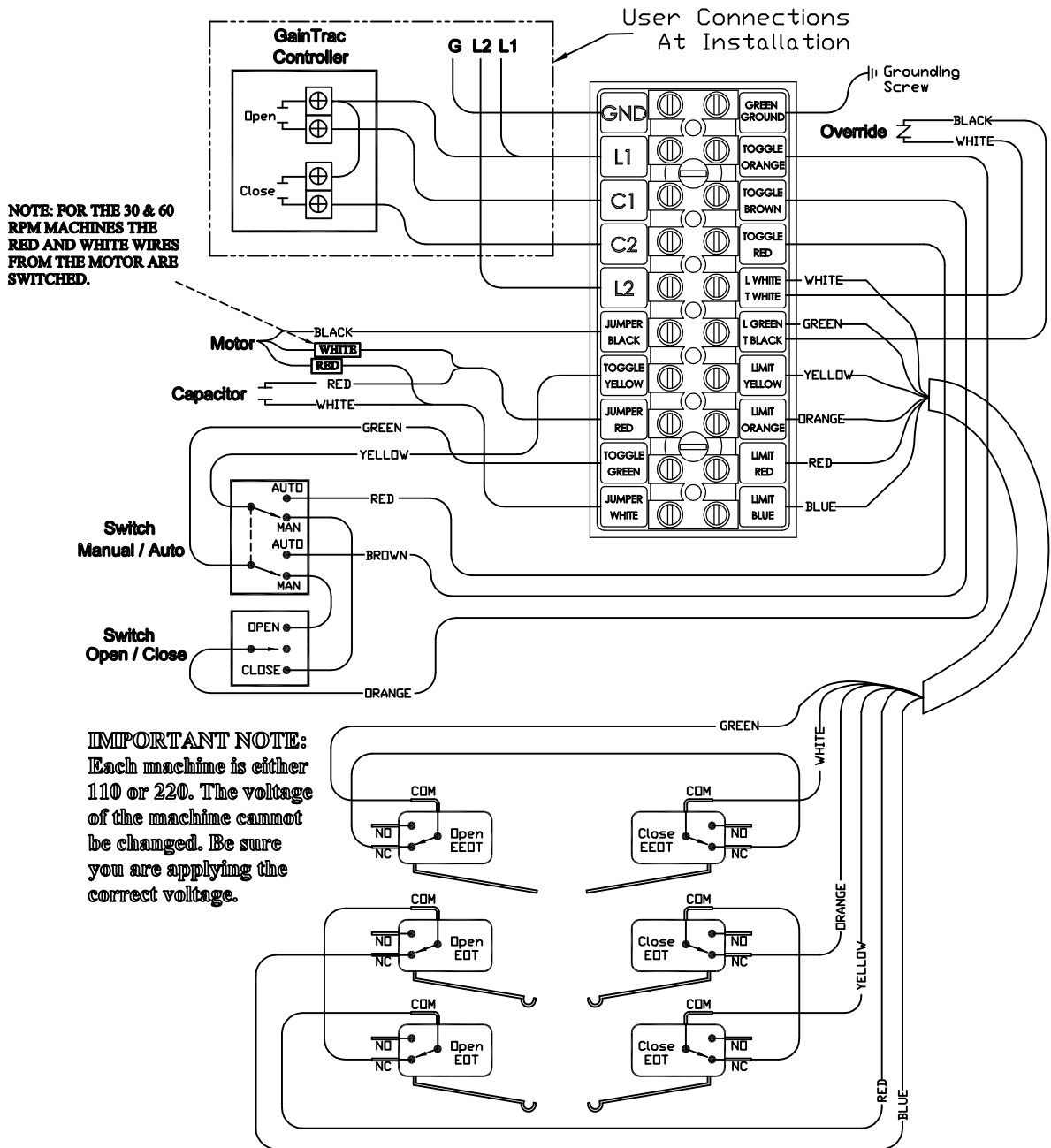
SafeTRAC Wire Terminal Block Diagram

30 & 60 RPM ACME SCREW MACHINE

SafeTRAC Operation, Installation and Maintenance Manual

Wiring the SafeTRAC to your controller:

Val-Co recommends using a certified electrician for installation.



Wiring a Backup Thermostat:

To set up your SafeTrac with a backup thermostant, wire the L1 input through the normally closed contact of a backup thermostat. Set the backup thermostat at a higher temperature than the main controller. In the event of a high temperature condition, the thermostat contact will open and cut the power to the machine. The curtains will then fall open. **THIS IS ONLY POSSIBLE WITH A CLUTCH BASED MACHINE.**