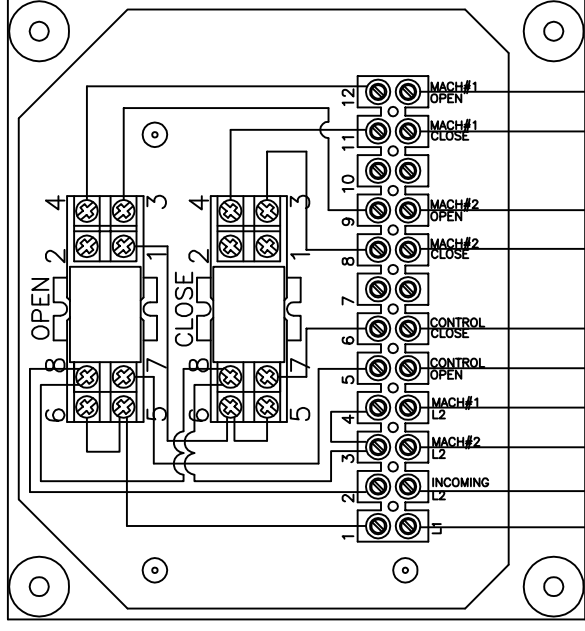
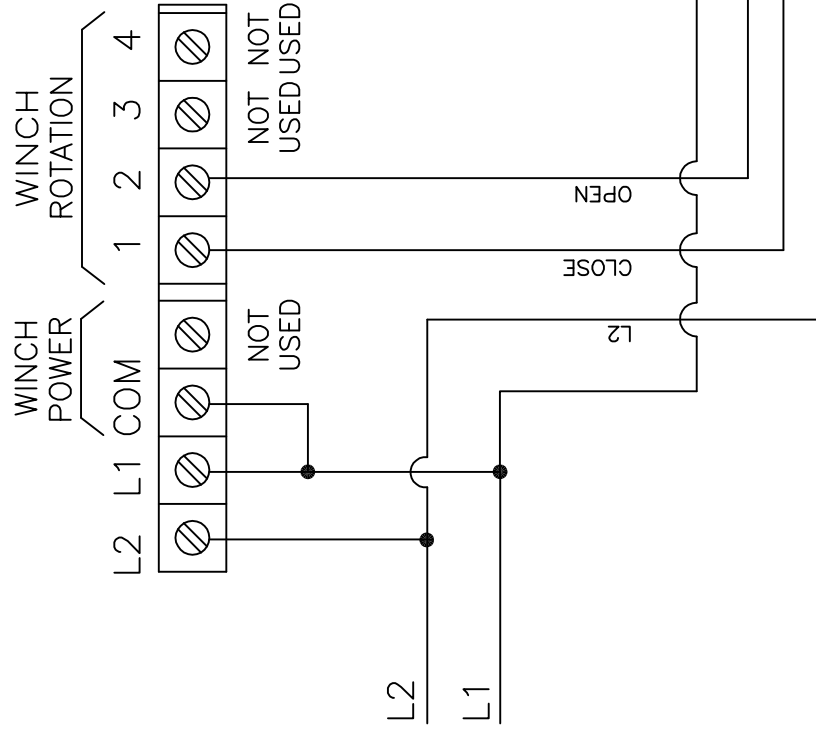


RCIR-2



THE CONTROL SHOWN IS ONLY USED AS AN EXAMPLE AND MAY NOT BE THE ACTUAL CONTROL USED.

EXAMPLE CONTROL



TOLERANCES UNLESS OTHERWISE SPECIFIED	DATE	080299
FRACTIONS ± 1/32	DRAWN BY:	JMH
DECIMALS ± 0.30	ENGR:	
INCH XX ± .020	APPROVED:	
.XXX ± .010	DLR:	NONE
ANGLES ± 0°30'	OLD DWG. #	15437-A-99
	SCALE:	NONE
	SHEET	1 OF 4

CURTAIN ISOLATION RELAY (RCIR-2) FOR TWO - 230 VOLT CURTAIN MACHINES
CONTROL WIRING DIAGRAM