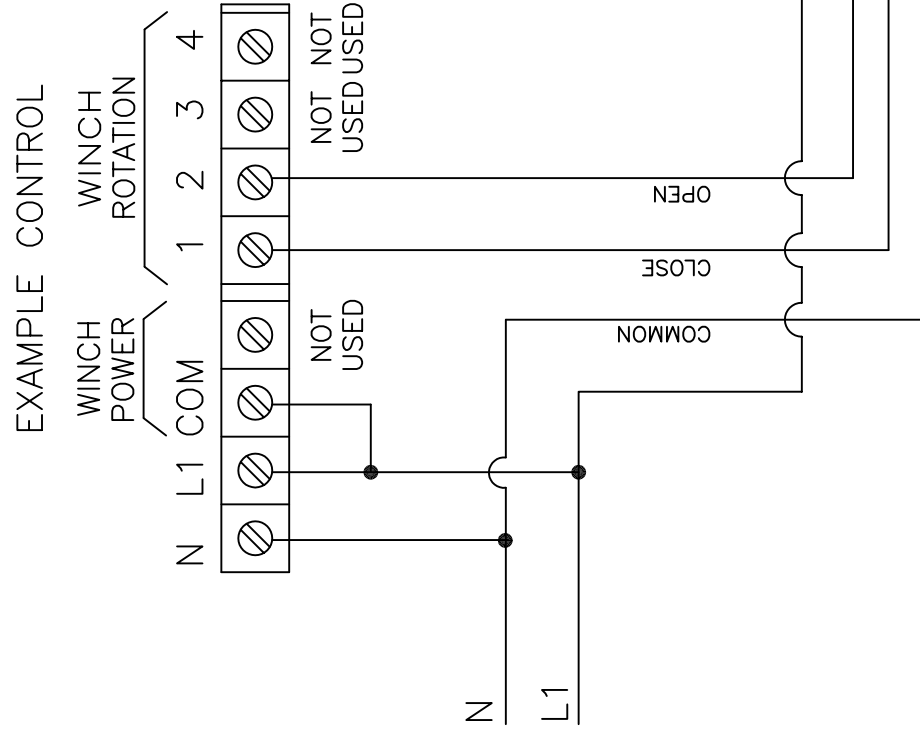


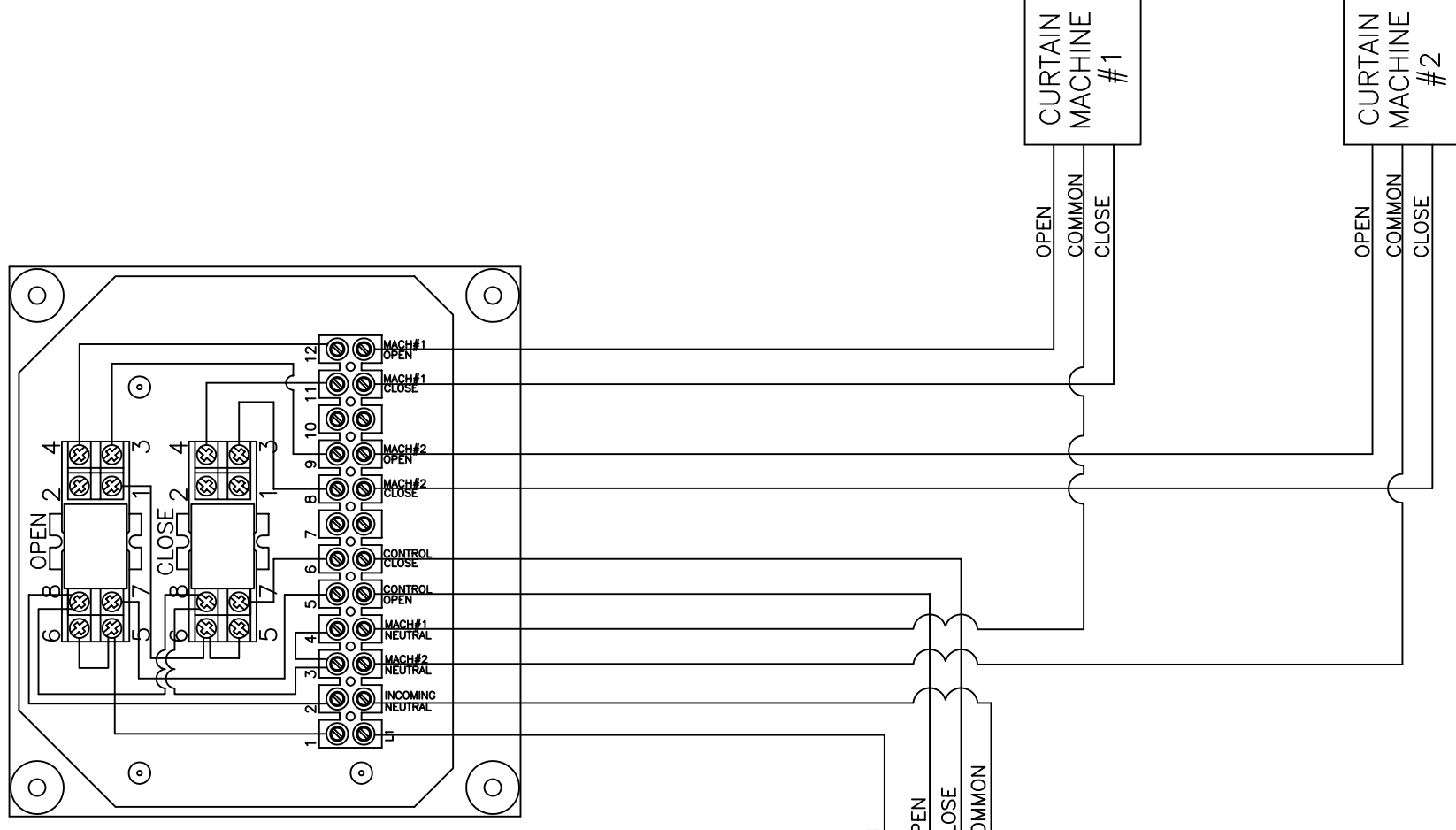
DRAWING REVISIONS

REV.:	BY:	DATE:	DESCRIPTION OF CHANGE	ECO NUMBER:
A	JMH	04/30/98	RECONFIGURE INTERNAL BOX LAYOUT TO ACCOMMODATE ELECTRICAL CONNECTORS	N/A
B	JMH	07/10/00	ADD RELAY PIN OUT INFORMATION	N/A

THE CONTROL SHOWN IS ONLY USED AS AN EXAMPLE AND MAY NOT BE THE ACTUAL CONTROL USED.

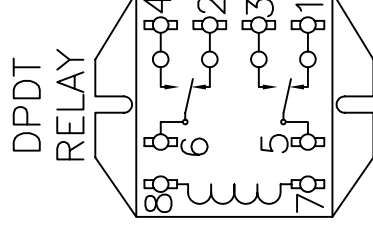


RCIR-1



RELAY PIN-OUT

- 1 - NORMALLY CLOSED CONTACT
- 2 - NORMALLY CLOSED CONTACT
- 3 - NORMALLY OPENED CONTACT
- 4 - NORMALLY OPENED CONTACT
- 5 - COMMON CONTACT
- 6 - COMMON CONTACT
- 7 - COIL
- 8 - COIL



TOLERANCES UNLESS OTHERWISE SPECIFIED	DATE: 03/11/98	RAYDOT LLC
FRACTIONS ± 1/32	DRAWN BY: JMH	CURTAIN ISOLATION RELAY (RCIR-1) FOR TWO - 115 VOLT CURTAIN MACHINES
DECIMALS ± .030 INCH .XX ± .020 .XXX ± .010	ENGR:	
ANGLES ± 0°30'	APPROVED:	CONTROL WIRING DIAGRAM
OLD DWG. # 15299-A-98	DLR: NONE	
SCALE: NONE	SHEET 1 of 4	NEW DRAWING NUMBER C650-A

Success Is In The Air
145 JACKSON AVE. SO., COKATO, MN. 55321
NEW DRAWING NUMBER C650-A