



MANUAL LIGHT DIMMER

HIRED-HAND®

Warnings!

- High Voltage present inside the controller. If you need to reach inside the controller disconnect power first.
- This product should be used to adjust the light intensity on incandescent light bulbs only. Hired Hand is not liable for any problems that may arise from use with other lighting systems.

Tools Required

Screwdriver	Cordless Drill
Wire Strippers	

Ratings and Specifications

Room Temp: 122°F / 50°C Maximum
 Input : 120 VAC 50/60 Hz
 Output: 4800 Watts, 40 Amps Maximum
 Per Circuit: 2400 Watts, 20 Amps Maximum
 *Circuits Should Be Fused @ 20 Amps Max.

Installation

1. Hang the Manual Light Dimmer using the four screws provided.
2. Make sure all power supplies are disconnected before breaking any wires.
3. Open the Manual Light Dimmer, and find all connections. See fig. 1
4. Connect all wires using the wiring diagram in fig. 1 below.
5. Re-connect power.
6. Installation complete.

Operation

1. To place full power on incandescent light blubs, place switch to **On** position. See fig. 2
2. To turn incandescent light blubs off, place switch to **Off** position. See fig. 2
3. To adjust light intensity, place switch to **Variable** position, adjust the lights using the knob in the center. See fig. 2

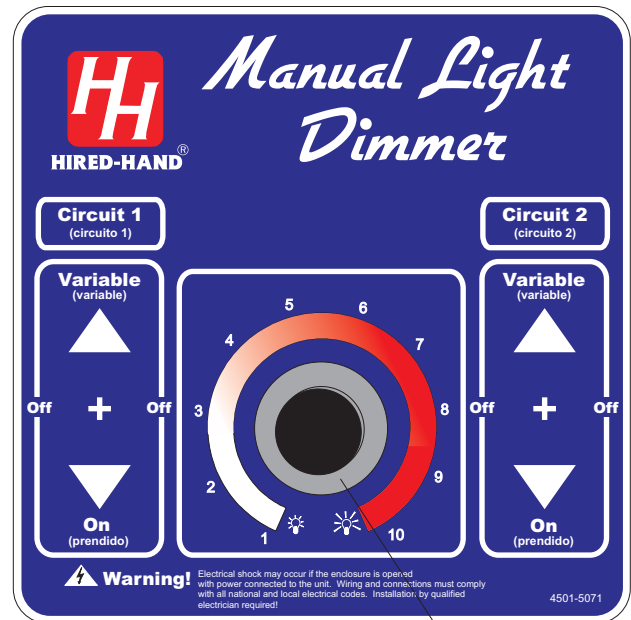
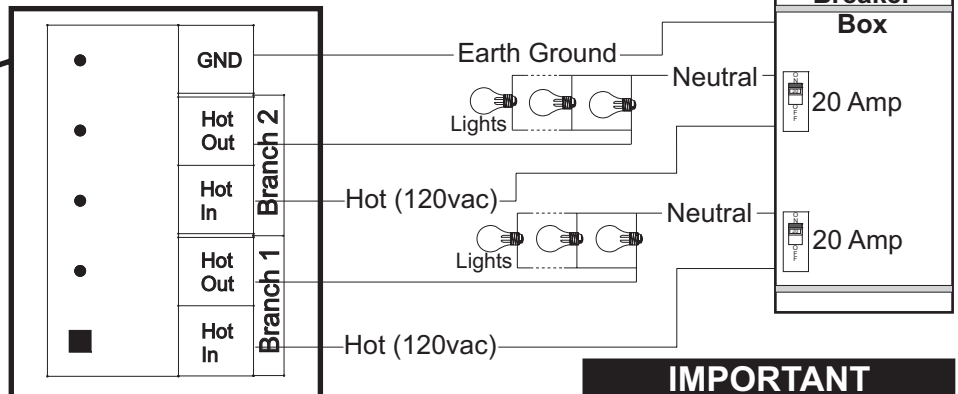
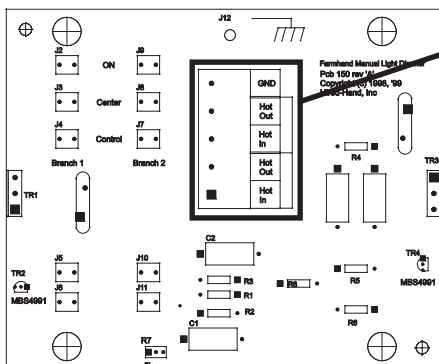


Fig. 2

Knob
(Variable Adjust)

Fig. 1



IMPORTANT

Circuits Should Be Protected With A Breaker Rated At 20 Amps Maximum.



HIRED-HAND[®]