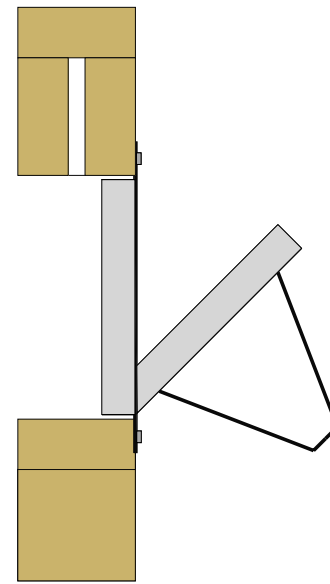


Specialty Items

Metal Doors



Stainless Steel or Galvanized vent doors (7" X 45")

Both feature Stainless Steel hinges for long life and extended closure bracket for easy actuation.

VAL-CO Environmental Products

VAL-CO Framed Inlet Doors

The VAL-CO Air Inlet Doors are engineered to provide an economical means of air distribution in a mechanically ventilated barn.

- All vinyl construction
- Foam insulated doors
- Flexible door seals
- Full-length polymer hinge
- Door and seal directs air up along ceiling
- Cleans up easily
- Easy installation
- Plastic latch seals door tightly (Optional)
- No-rust hinges will not stick
- 8" and 12" width doors available in standard lengths (Custom lengths available for special order)
- Completely sealed to keep destructive bugs and rodents away from foam

"Curtain Replacement"

Foam filled 3 FT by 8 FT or 4 FT by 8 FT doors.

Doors can be attached together for a continuous door.



For quality products and fast, friendly, knowledgeable service, call us today!

North America:
Phone: 800.99VALCO (800.998.2526)

Fax: 419.678.2200
E-mail: sales@valcompanies.com

International:
Phone: 717.392.3978

Fax: 717.735.1800
E-mail: intl.sales@valcompanies.com

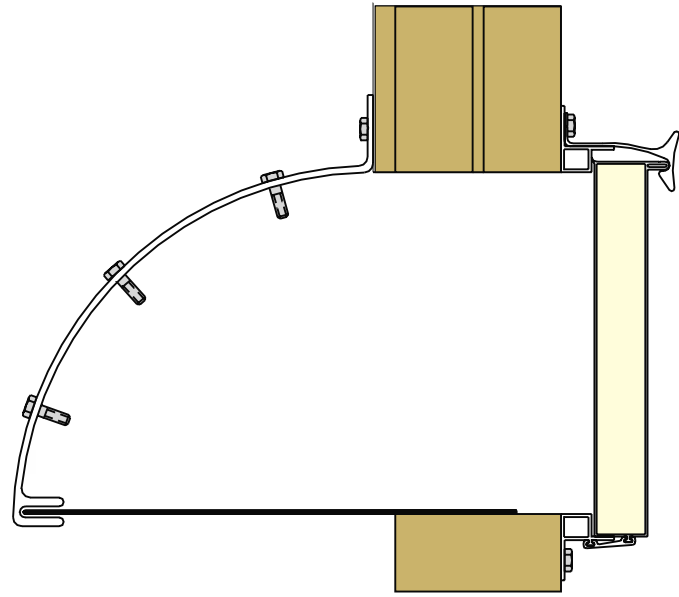
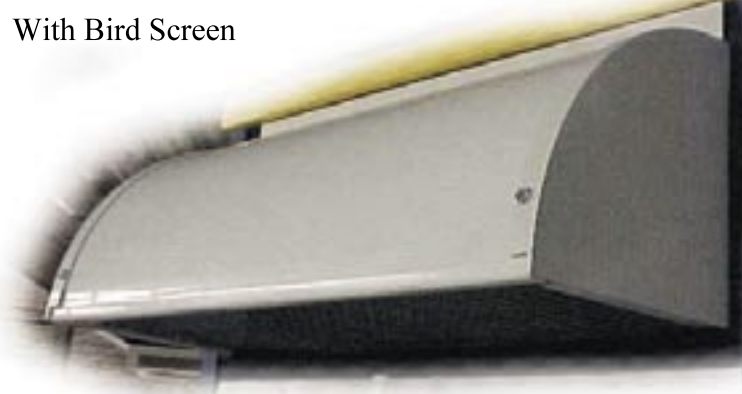
Performance Data & Specifications

Model	CFM	Rough Opening
VAL-8-INLET-21	500	10 ½" x 24"
VAL-8-INLET-N	-	10 ½" x N + 3"

Framed Inlet Door - Options

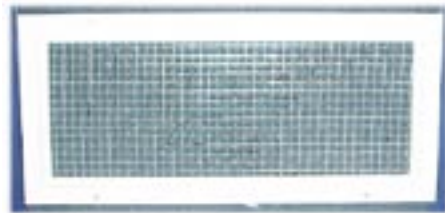
Weather Hood

With Bird Screen



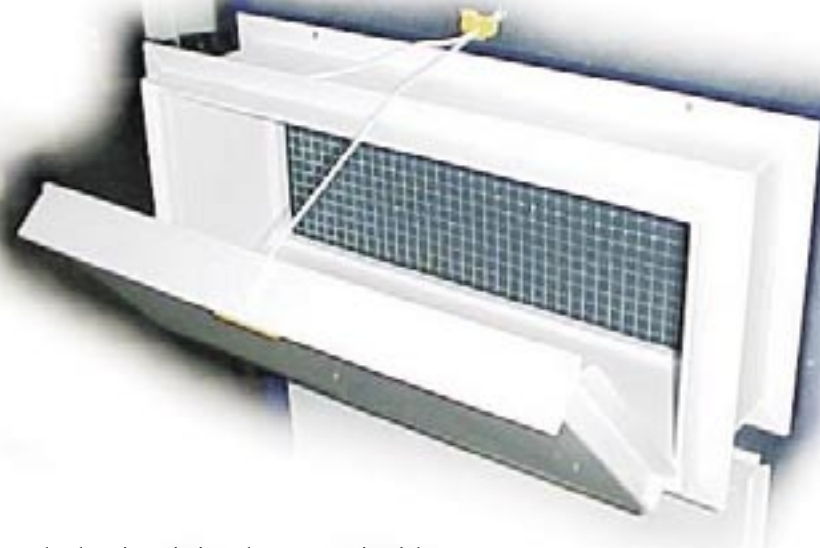
- Prevent rain and other air-borne elements from getting in the house.
- Attractive PVC finish.
- Fits 8" and 12" doors

Wire Bird Screen with Outside Frame

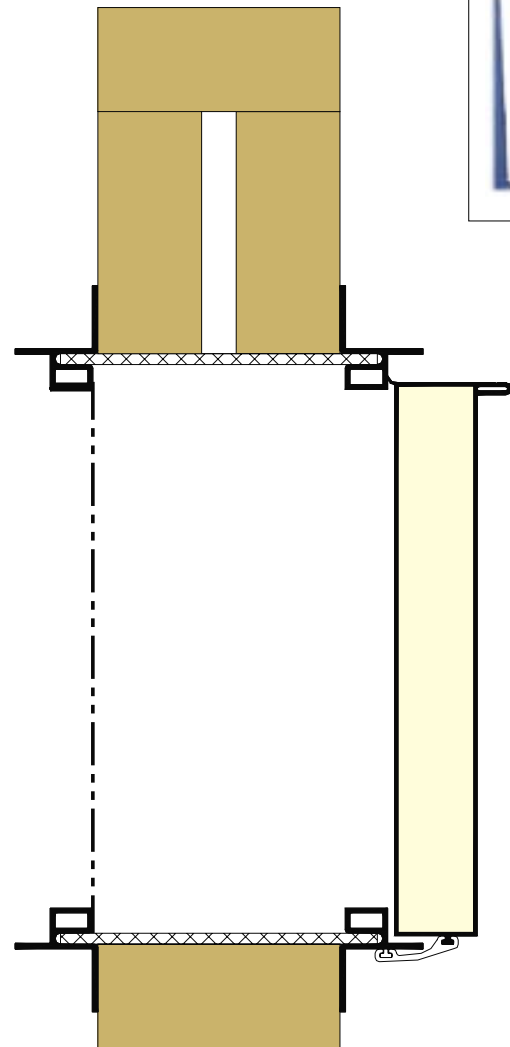


- Half-inch spacing keeps all disease-carrying bird out of house.
- Available with or without the corrugated insert.

Corrugated Plastic Lining

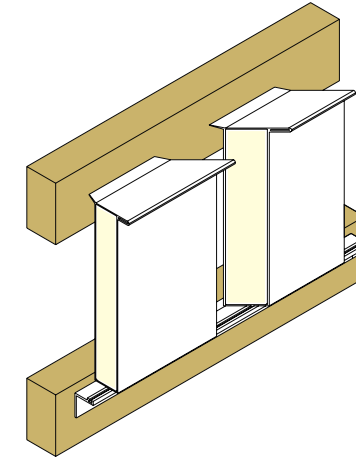


Corrugated Plastic Lining between inside & outside frames. Acts as finished inner wall, holds back insulation and keeps insects and rodents out of walls.



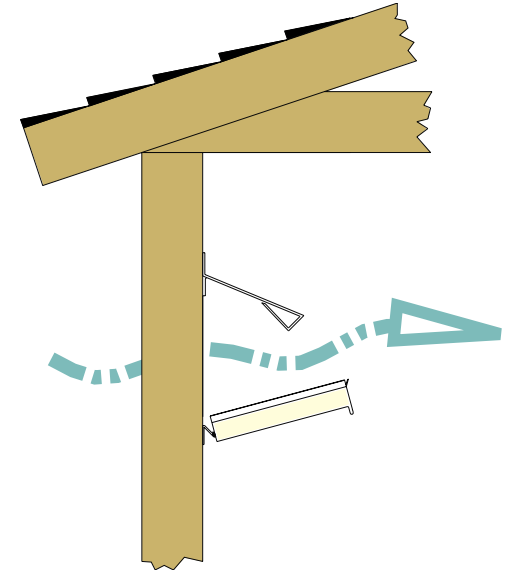
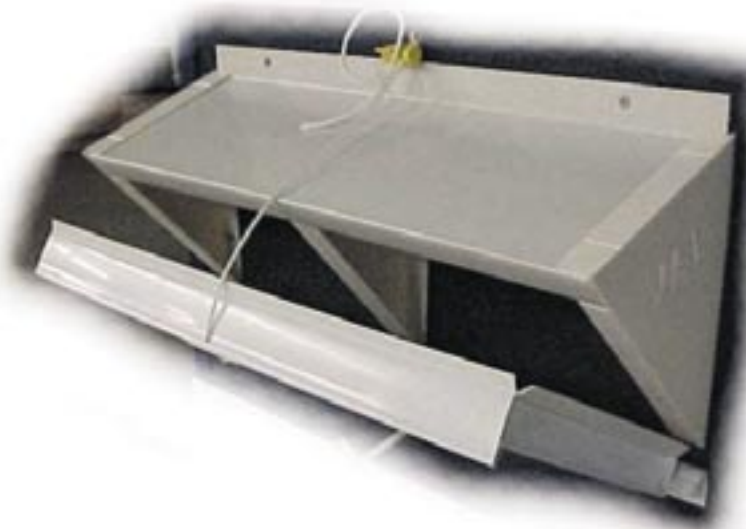
VAL-CO Continuous Inlet Doors

Same Door as above without frame in continuous 8 FT sections or stand alone 8 FT kits with end caps. Allows for continuous vent to run the entire length of the house.



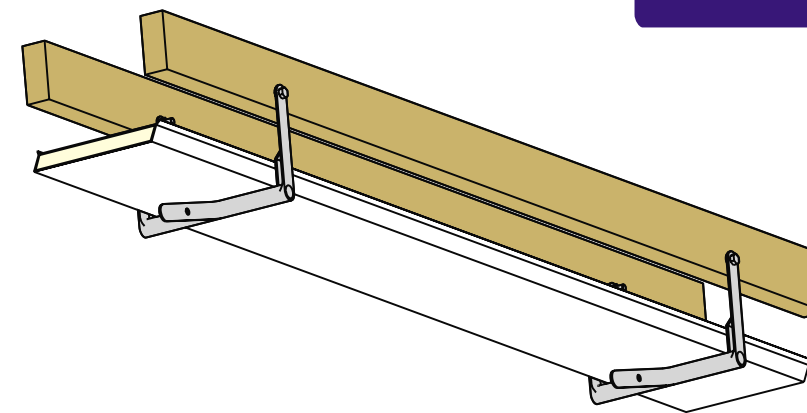
Optional

Sloped Inlet



Allows air to follow line of ceiling, for proper mixing of winter minimum vent air with warmer house air before falling to floor level.

Continuous Ceiling Inlet



Designed for cage-row ventilation of large layer houses. Provides optimum ventilation for all cage-row, no dead spots or uneven areas.

