

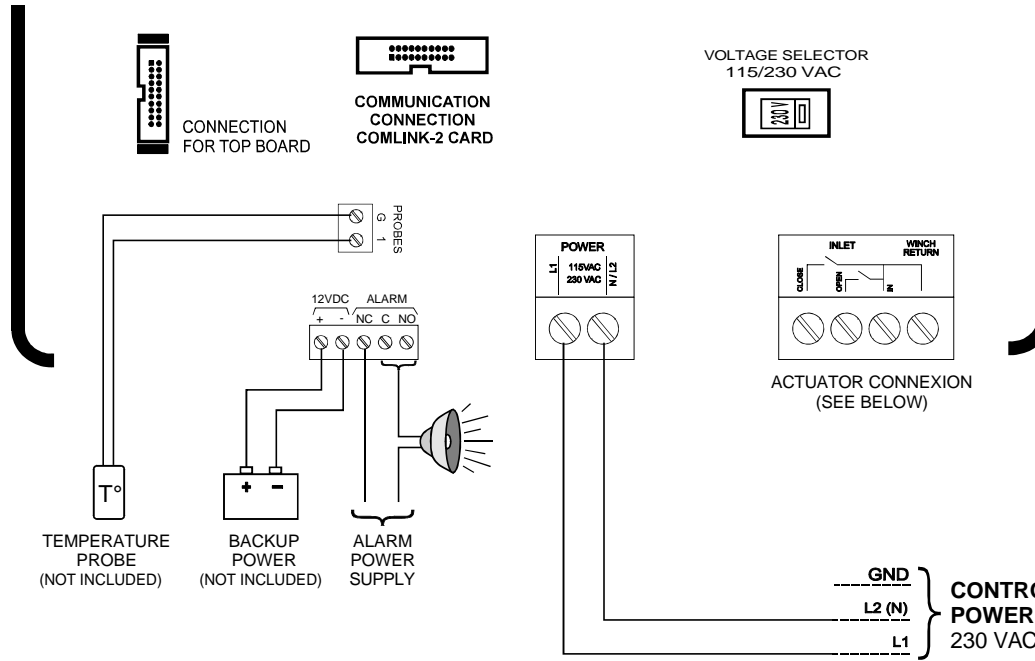
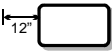
DO NOT DRILL THE SIDES OF THE UNIT CONTROL. USE AVAILABLE KNOCK OUTS AT THE BOTTOM OF THE UNIT.

NOTES :

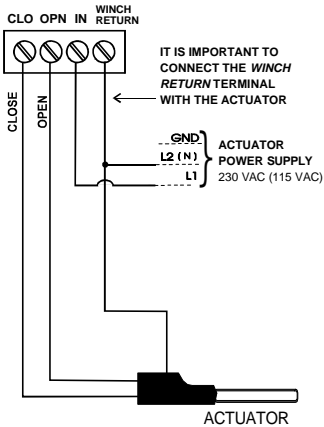
1. Installation of a good quality alarm system is strongly suggested to warn of power failures and high/low temperatures.

2. Provide a surge protection (including lightning protection) from the power supply to the controller and from the control to the sensors. Consult a certified electrician if required.

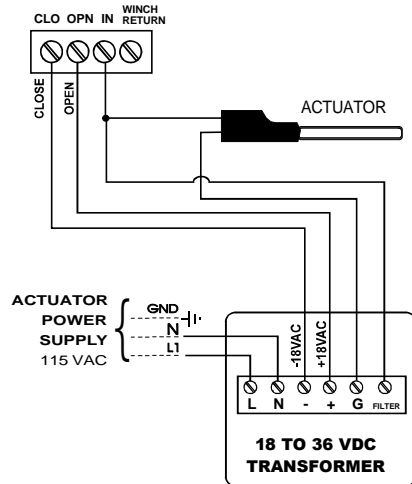
LEAVE A CLEARANCE OF AT LEAST 12" AT THE LEFT OF THE CONTROLLER BOX TO ALLOW THE COVER TO BE REMOVED FOR MAINTENANCE.



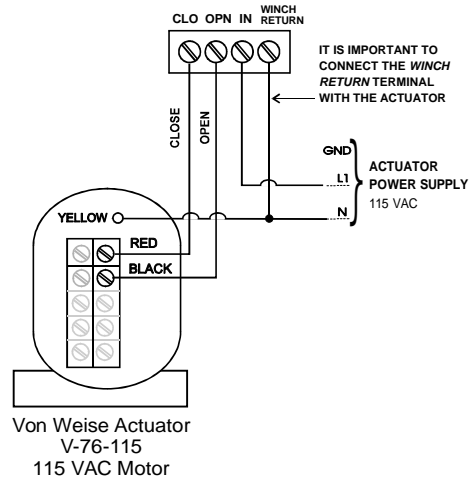
ACTUATOR: STANDARD AC MOTOR



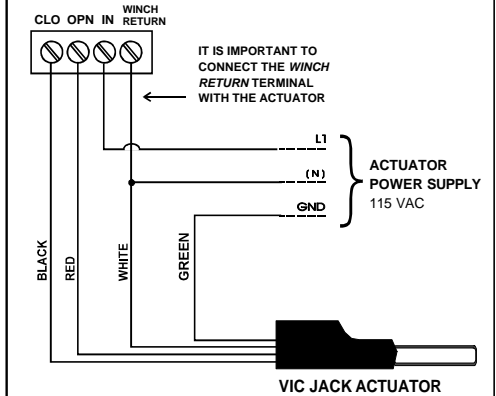
ACTUATOR: STANDARD DC MOTOR



ACTUATOR: VON WEISE V76-115 AC MOTOR



ACTUATOR: VIC JACK AC MOTOR



WIRING DIAGRAM

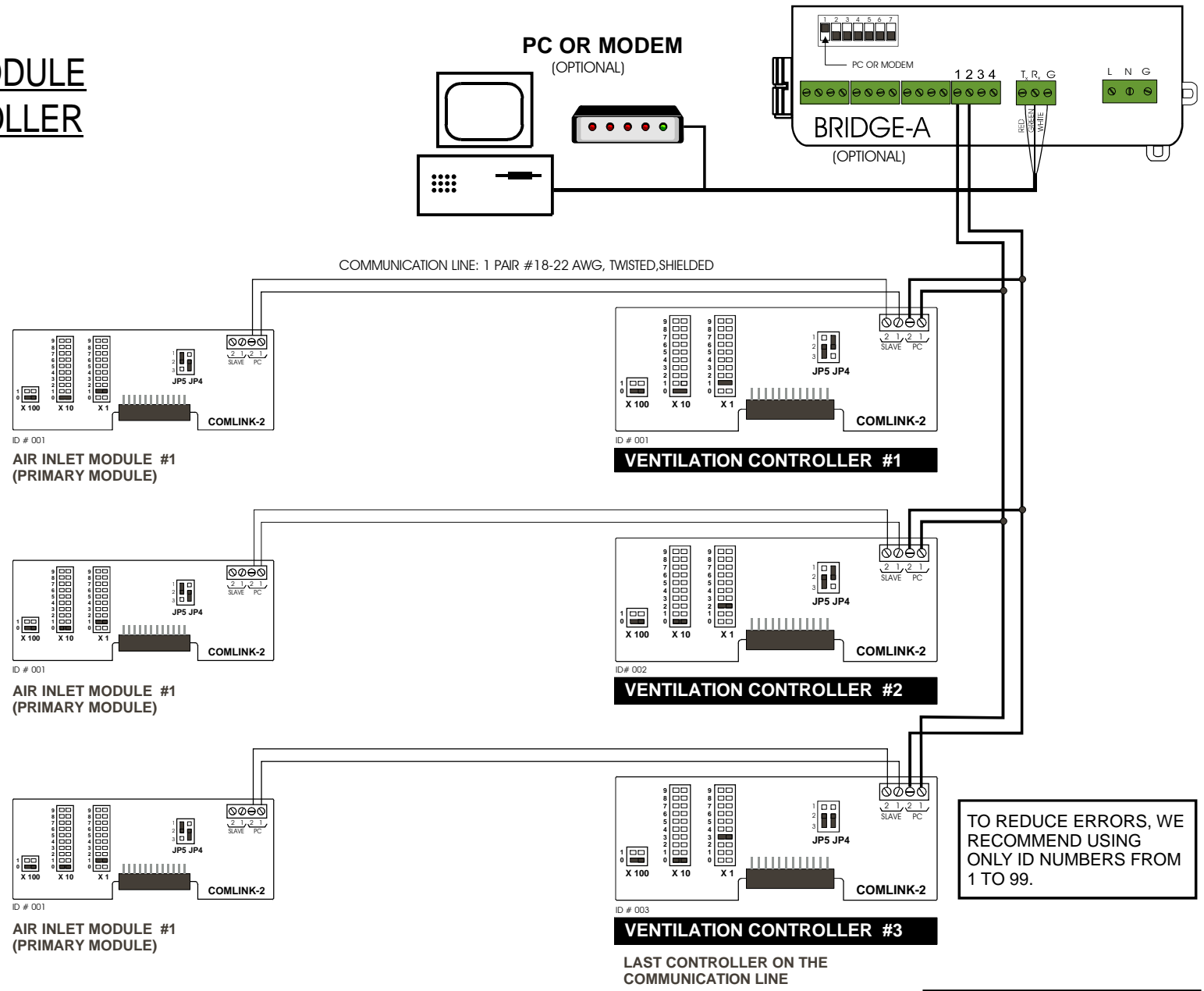
TC5-ITA

#891-00042

Rev.00

COMMUNICATION SYSTEM WIRING DIAGRAM

ONE AIR INLET MODULE FOR EACH CONTROLLER

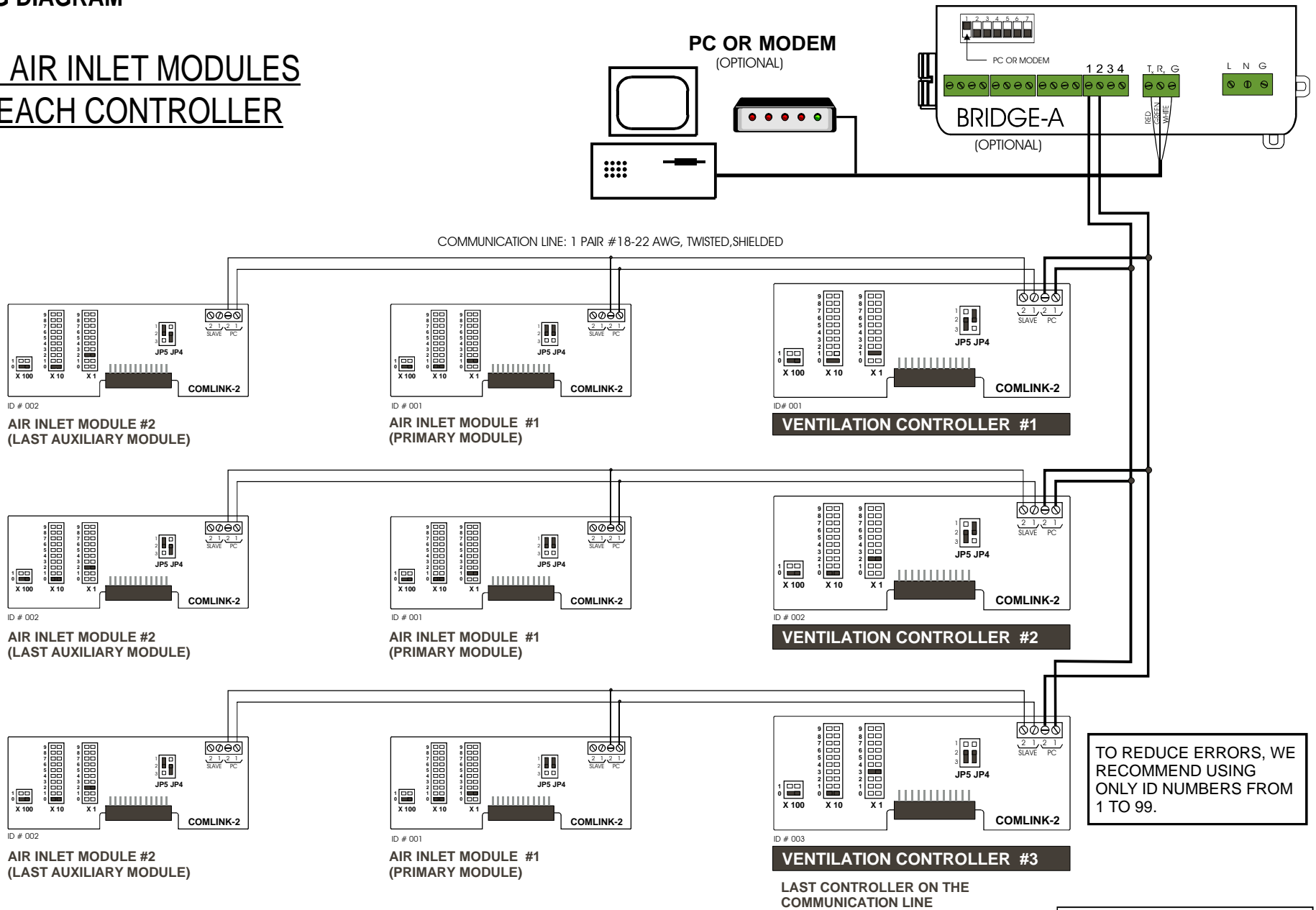


TO REDUCE ERRORS, WE
RECOMMEND USING
ONLY ID NUMBERS FROM
1 TO 99.

WIRING DIAGRAM	
TC5-ITA	
#891-00042	Rev.00

COMMUNICATION SYSTEM WIRING DIAGRAM

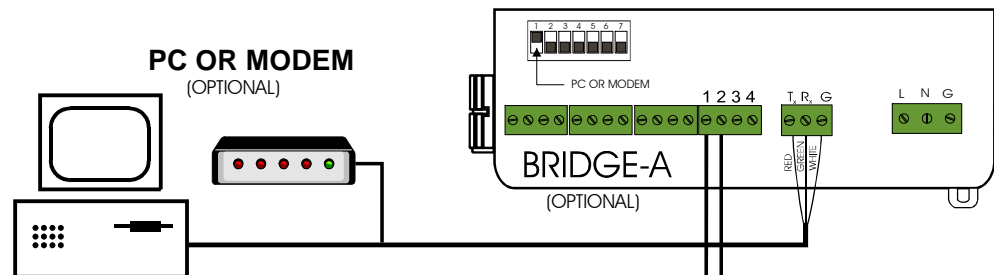
TWO AIR INLET MODULES FOR EACH CONTROLLER



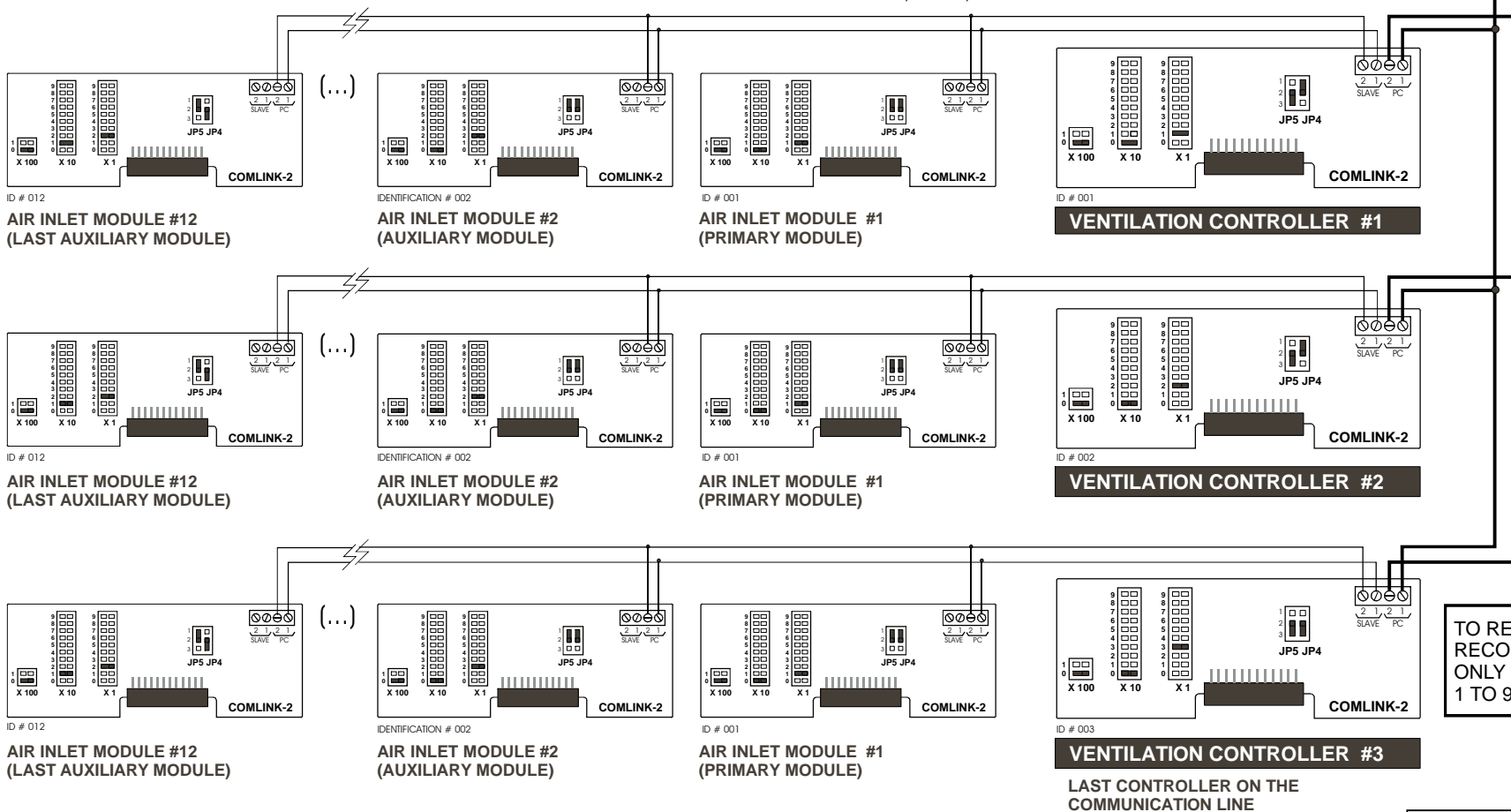
WIRING DIAGRAM	
TC5-ITA	
#891-00042	Rev.00

COMMUNICATION SYSTEM WIRING DIAGRAM

MANY AIR INLET MODULES FOR EACH CONTROLLER



COMMUNICATION LINE: 1 PAIR #18-22 AWG, TWISTED, SHIELDED



TO REDUCE ERRORS, WE RECOMMEND USING ONLY ID NUMBERS FROM 1 TO 99.

WIRING DIAGRAM	
TC5-ITA	
#891-00042	Rev.00