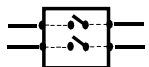


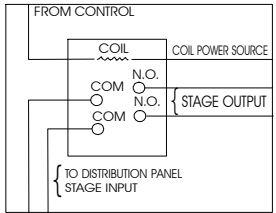
WE RECOMMEND INSTALLING A FUSE BOX ON EACH STAGE



FUSE BOX

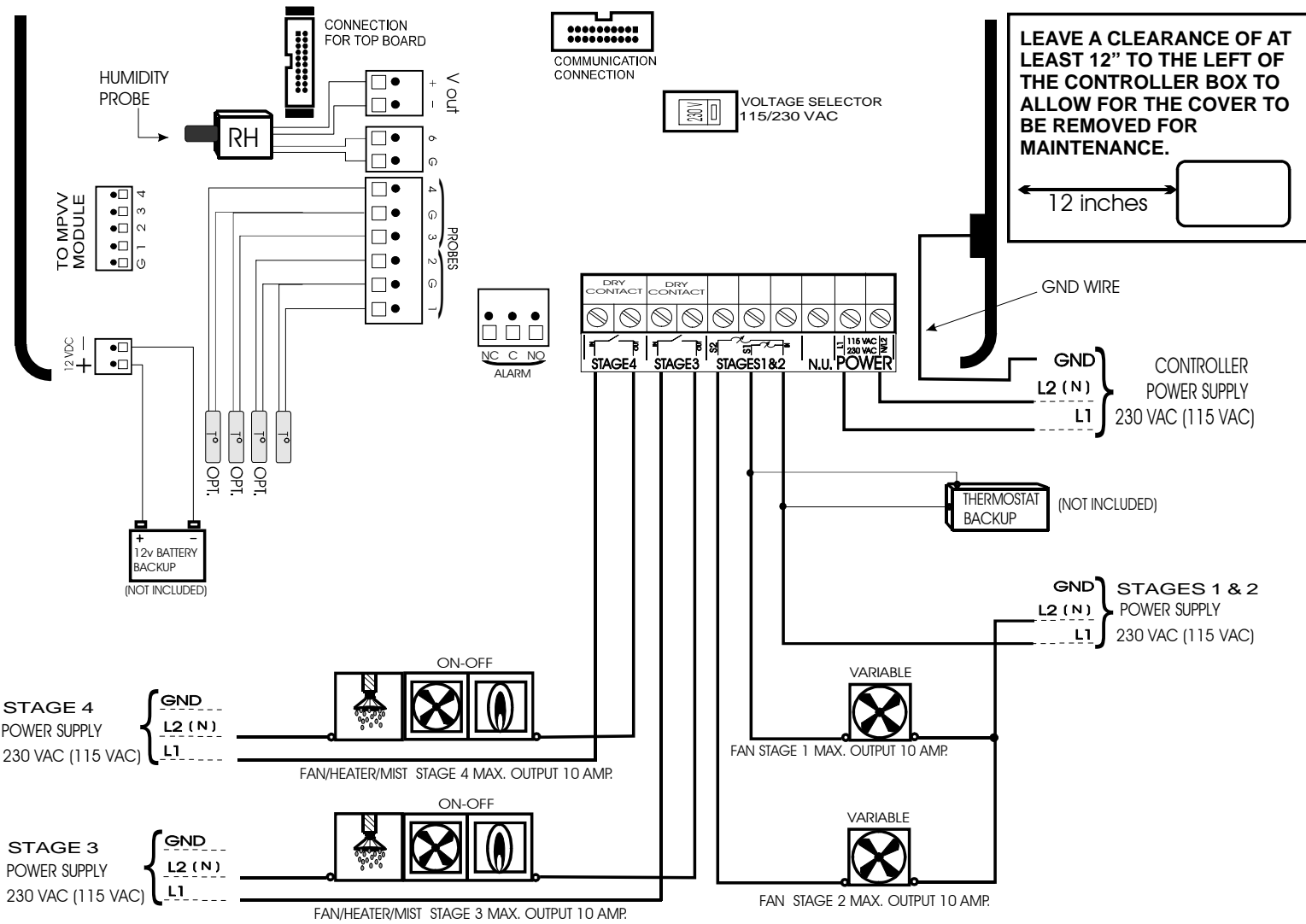
DO NOT DRILL THE SIDES OF THE UNIT CONTROL. USE AVAILABLE KNOCK OUTS AT THE BOTTOM OF THE UNIT.

THE CAPACITY OF THE INTERNAL RELAYS IS 6 AMP. "MOTOR LOAD". WE RECOMMEND INSTALLING EXTERNAL RELAYS ON "ON/OFF" STAGES HOOKED TO MOTORS.



NOTES

1. INSTALLATION OF A GOOD QUALITY ALARM SYSTEM IS STRONGLY ADVISED TO WARN OF POWER FAILURES AND HIGH/LOW TEMPERATURES.
2. PROVIDE SURGE PROTECTION (TO INCLUDE PROTECTION FROM LIGHTNING) FROM POWER SUPPLY TO CONTROL AND FROM CONTROL TO OUTPUT EXTENDED PROBE. CONSULT A CERTIFIED ELECTRICIAN FOR SPECIFIC RECOMMENDATIONS.
3. SAME PHASES MUST BE USED TO POWER VARIABLE FANS AND CONTROLS ON 3 PHASES POWER.



LEAVE A CLEARANCE OF AT LEAST 12" TO THE LEFT OF THE CONTROLLER BOX TO ALLOW FOR THE COVER TO BE REMOVED FOR MAINTENANCE.

← 12 inches →