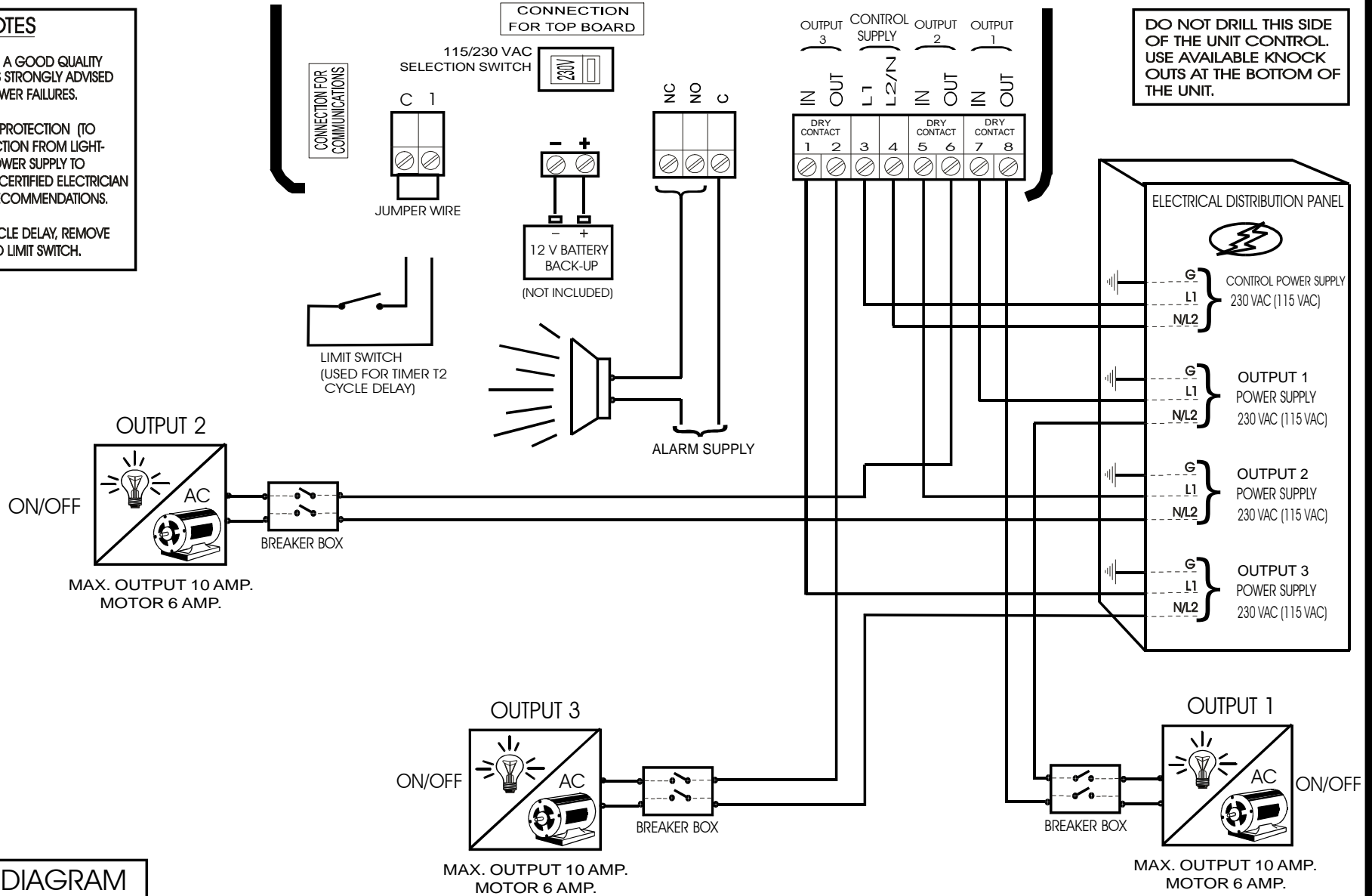


NOTES

1. INSTALLATION OF A GOOD QUALITY ALARM SYSTEM IS STRONGLY ADVISED TO WARN OF POWER FAILURES.
2. PROVIDE SURGE PROTECTION (TO INCLUDE PROTECTION FROM LIGHTNING) FROM POWER SUPPLY TO UNIT. CONSULT A CERTIFIED ELECTRICIAN FOR SPECIFIC RECOMMENDATIONS.
3. FOR TIMER T2 CYCLE DELAY, REMOVE JUMPER AND ADD LIMIT SWITCH.



WIRING DIAGRAM
CS-3TM REV. 04

MAX. OUTPUT 10 AMP.
 MOTOR 6 AMP.

MAX. OUTPUT 10 AMP.
 MOTOR 6 AMP.

MAX. OUTPUT 10 AMP.
 MOTOR 6 AMP.