



SENSOR PLUS™ Drop Tube Switch with Heater & Safety Timer

Part Number 46663

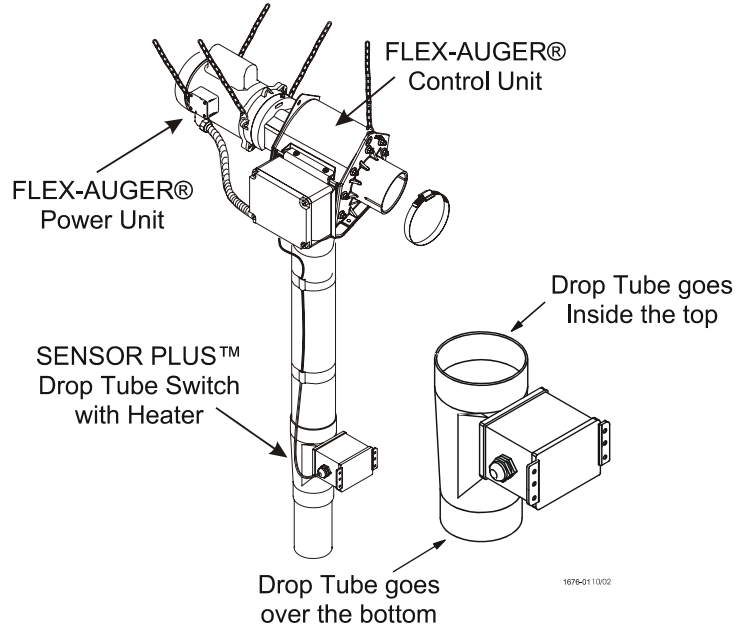
Introduction

The SENSOR PLUS™ Drop Tube Switch with Heater has been designed to work with the Model 55, 75, 90, and HMC FLEX-AUGER® Fill Systems.

The Safety Timer will allow the operator to set the maximum run time for the auger to ensure that it will not continue to operate if the feed bin runs out of feed.

The SENSOR PLUS™ Drop Tube Switch with Heater has a built in heater to dissipate moisture around the sensor.

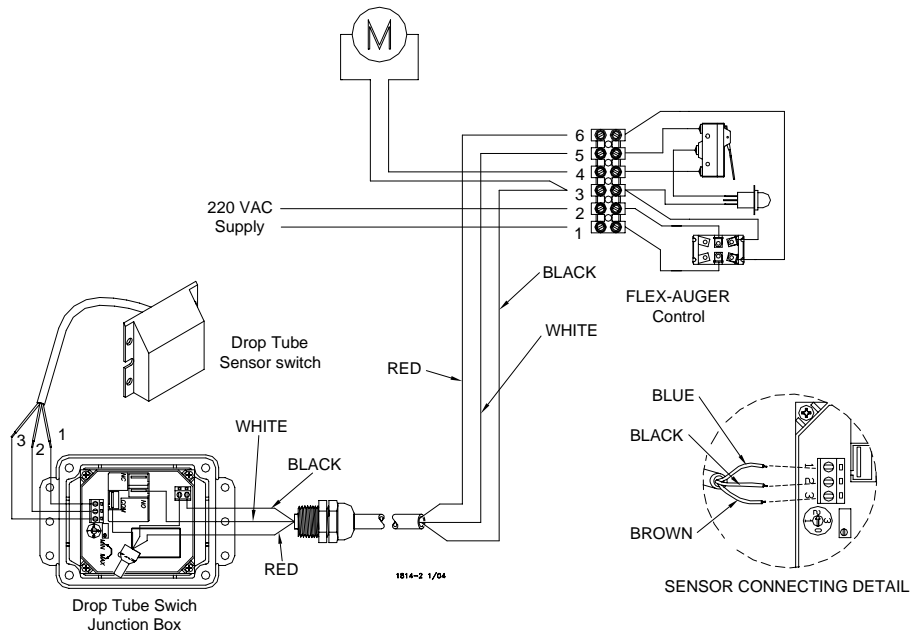
The SENSOR PLUS™ Drop Tube Switch with Heater can be installed to the Control Unit Funnel or in-line on the Drop Tube.



Wiring Diagram

See diagram at right.

1. "RED" wire from Drop Tube Switch to terminal number 6 in the FLEX-AUGER Control.
2. "BLACK" wire from Drop Tube Switch to terminal number 3 in the FLEX-AUGER Control.
3. "WHITE" wire from Drop Tube Switch to terminal number 5 in the FLEX-AUGER Control.



46316 DROP TUBE SWITCH WIRING DIAGRAM

Chore-Time Poultry Production Systems, A Division of CTB, Inc.
P.O. Box 2000 • Milford, Indiana 46542-2000 • U.S.A.

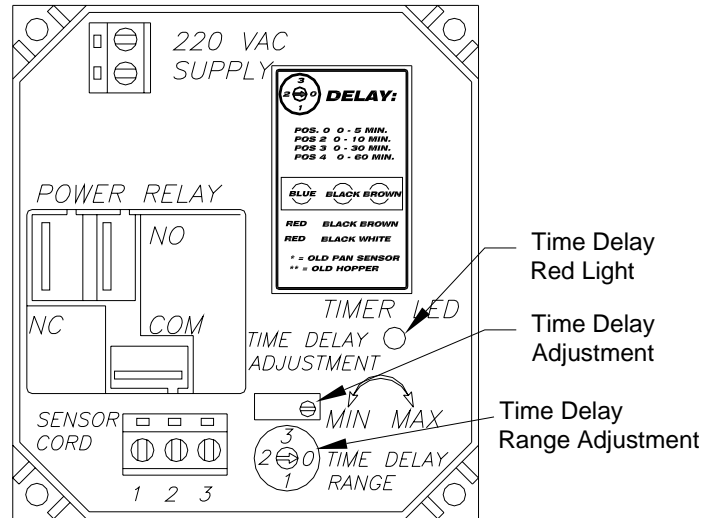
Phone (574) 658-4101 • Fax (877) 730-8825

E-Mail: poultry@choretime.com • Internet: www.choretimepoultry.com

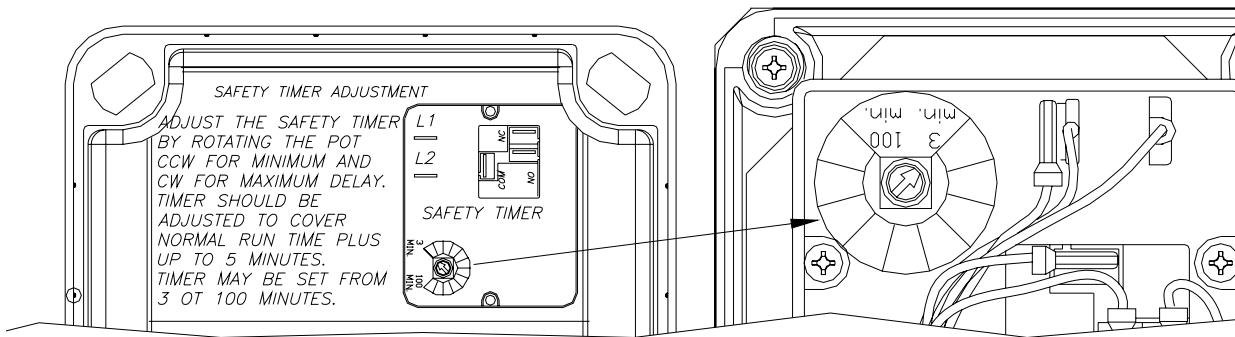
Time Delay Adjustment

The time delay is set at the factory at 10 to 15 seconds.

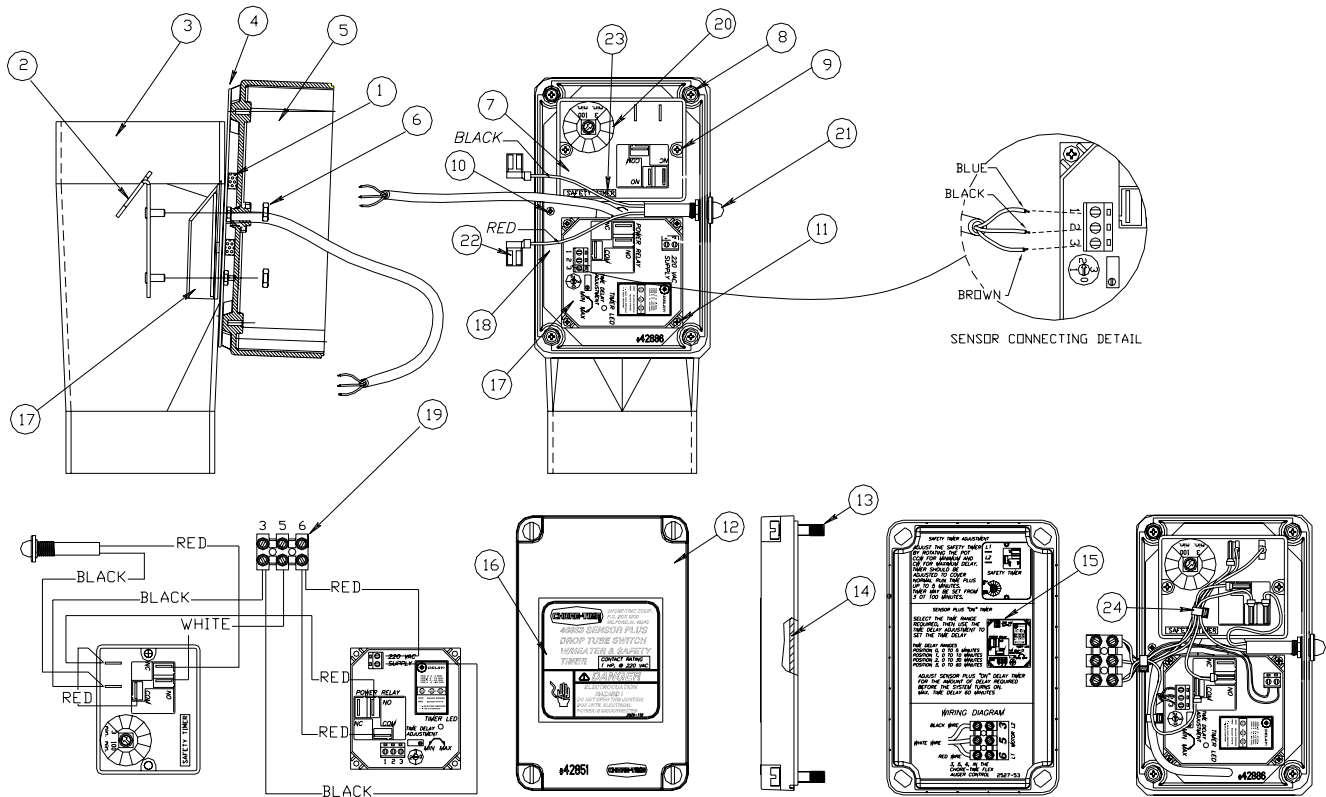
1. Select a time delay range for the SENSOR PLUS switch. The ranges are:
 - 0 0 to 5 minutes
 - 1 0 to 10 minutes
 - 2 0 to 30 minutes
 - 3 0 to 60 minutes
2. With power applied, locate the Time Delay Red Light in the junction box. A slow blinking light means that the time delay is long.
3. Turning the Time Delay Adjustment counter-clockwise will shorten the time delay and make the light blink faster, turning the Time Delay Adjustment clockwise will lengthen the time delay and make the light blink slower.



Safety Timer Adjustment



SENSOR PLUS™ Drop Tube Switch Parts List



Item	Description	Part No.
1	Gasket	6968-1
2	Sensor Retainer	51362
3	Machined Drop Tube Housing	46315
4	Adapter Plate	46731
5	Machined 4 x 6 Box	46729
6	#6-32 Steel Nut	771
7	Timer Module	46732
8	#8-32 x .375 SFTP Screw	46092
9	#6-32 x .875 SFTP Screw	46986
10	#6 Screw	46011
11	#4-40 x .25 SFTP Screw	46987
12	4 x 6 Plastic Box Cover	42851

Item	Description	Part No.
13	4 x 6 Plastic Box Cover	42849
14	4 x 6 Gasket	42854
15	Decal	2527-53
16	Decal	2527-772
17	Switch, Sensor Plus Level Ass'y w/ Heater	48579
18	Switch Box Rear Panel	46730
19	Terminal Block (3 position)	34925-3
20	Decal	2527-54
21	Pilot Light	46047
22	90 Deg. Quick Connect	40579
23	Decal	2527-55
24	Wire Ties	6635



MADE TO WORK.

BUILD TO LAST.®

Contact your nearby Chore-Time distributor or representative for additional parts and information.

CTB Inc.
P.O. Box 2000 • Milford, Indiana 46542-2000 • U.S.A.
Phone (574) 658-4101 • Fax (877) 730-8825
E-mail: poultry@choretime.com • Internet: www.choretimepoultry.com

Printed in the U.S.A.