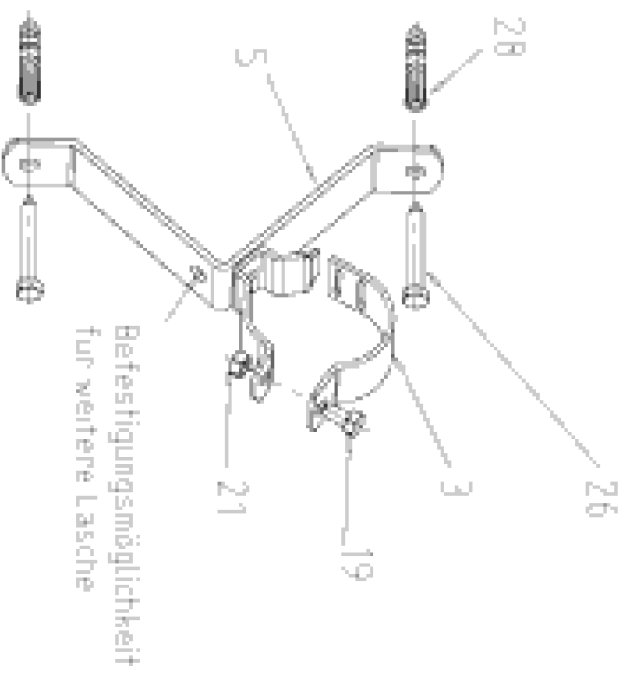
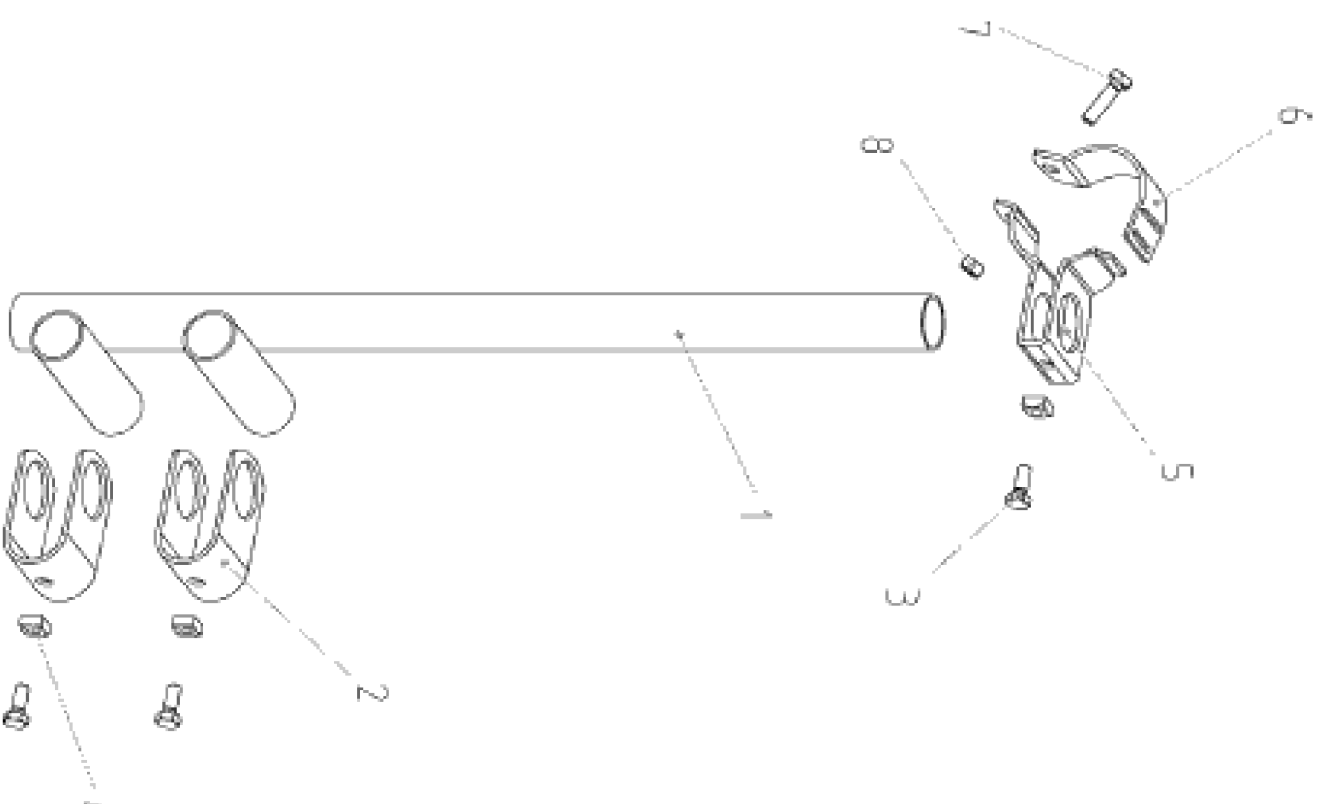


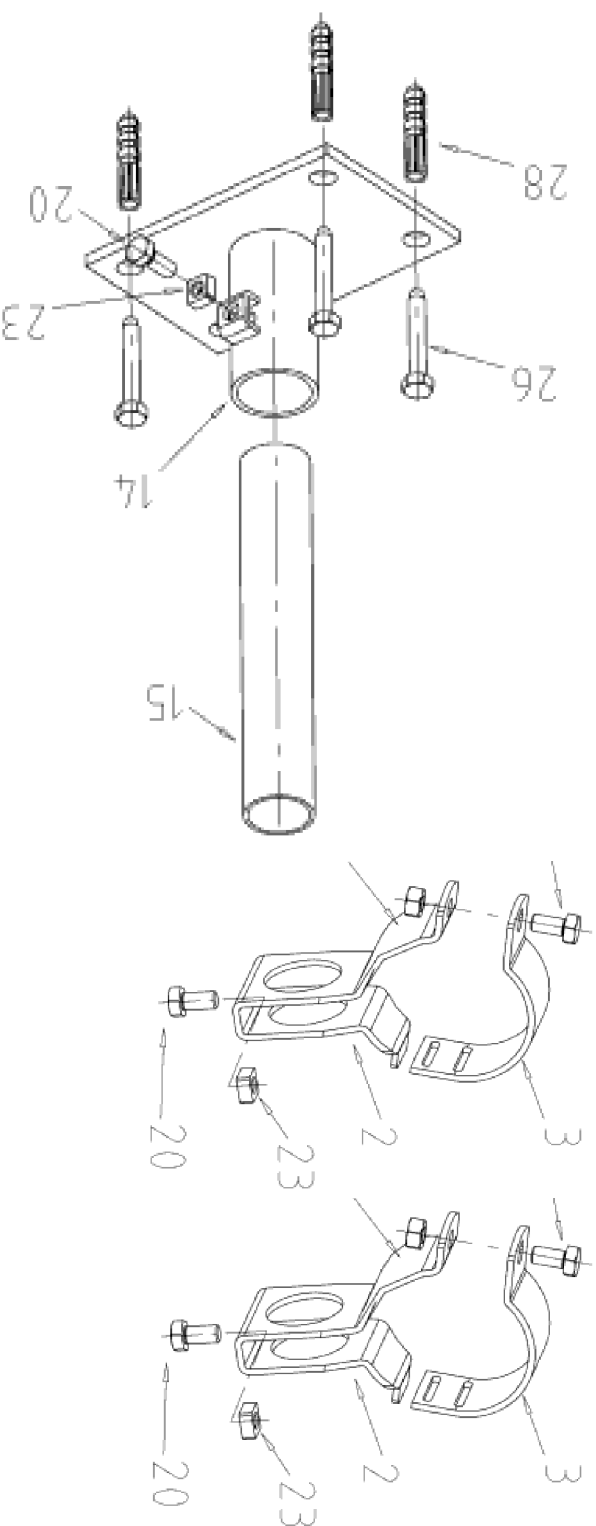
B pipe clip with 6cm distance to the wall
(20 pieces)



A pipe support for stabling system
(120 pieces)



C pipe support for ceiling (wall) in combination
with fastening clip (70 + 200 pieces)



Draft drawing for offer. NOT to be used for CONSTRUCTIONAL PLANNING!
All specifications must be checked by the customer.
Responsible: The drawing is the property of the manufacturer. Any reproduction without permission is prohibited.

DRAFT		Date: 10.03.2018	
Author: Doug Van Zellen	Scale: 1:100	Project: 100000000	Sheet: 1 of 1
Customer: PALS USA		Company: Schauer	