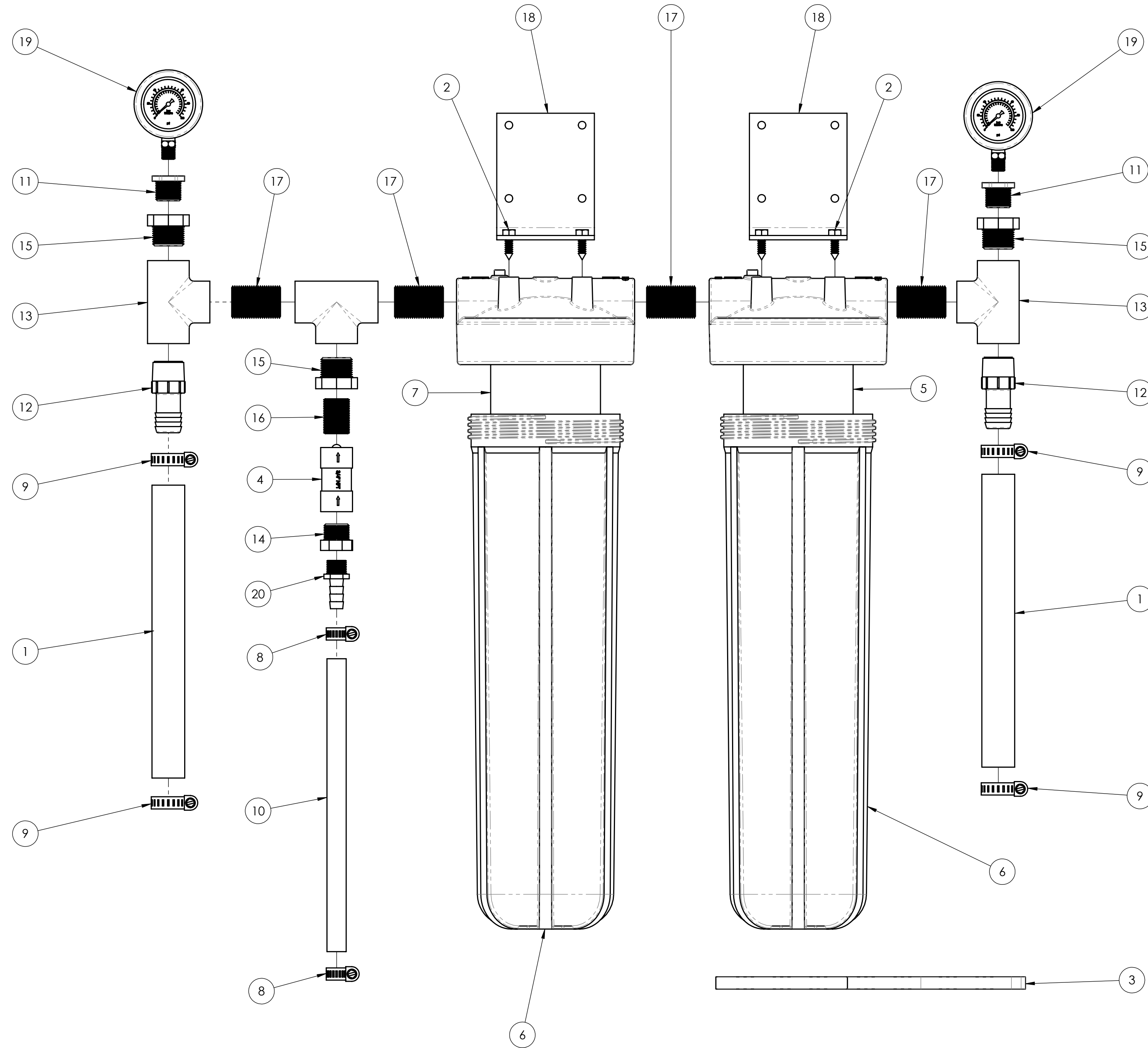
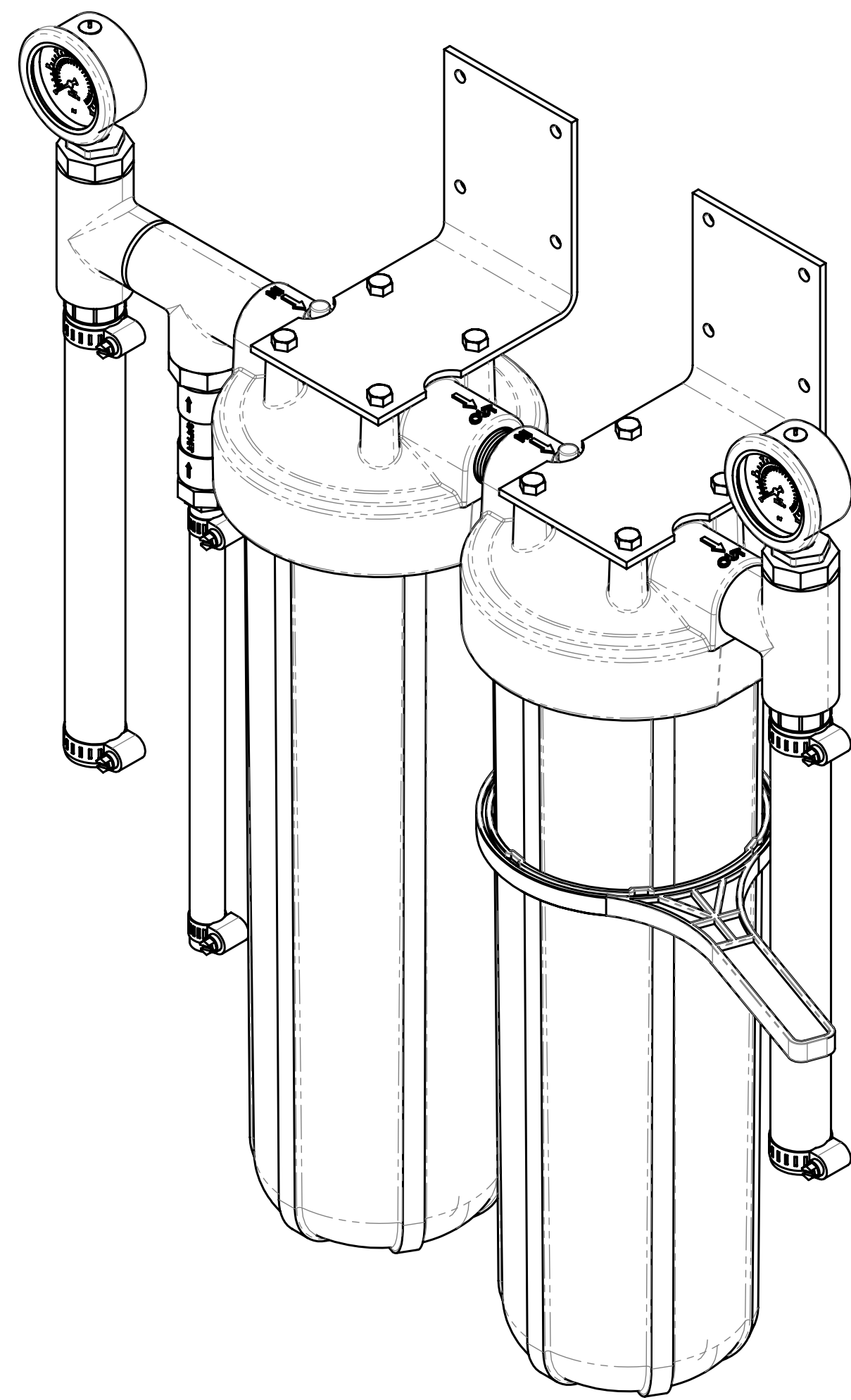


BILL OF MATERIALS			
ITEM #	PART #	QTY	DESCRIPTION
1	PM200PSIHOSE1	20	HOSE, 1" ID, BLUE, PVC 200 PSI W/VAL LAYLINE ON HOSE
2	PM5-16X1LAG	8	5/16" X 1" LAG SCREW
3	PMBIGBLUEWRENCH	1	WRENCH FOR BIG BLUE HOUSING USE WITH # PMFILT50GPM
4	PMCKVALVE	1	3/4" PVC VALVE
5	PMFILT1MBIGBLUE	1	1 MICRON FILTER CARTRIDGE 4.5" O.D. X 20" LONG X 1" I.D.
6	PMFILT50GPM	2	FILTER - 50 GPM
7	PMFILT5MBIGBLUE	1	5 MICRON FILTER CART 20"X4 1/2 FOR 40/50 GPM FILTER HOUSING
8	PMHC1-2	2	TRIDON HOSE CLAMP 3/8"- 7/8"
9	PMHC3-4	4	TRIDON HOSE CLAMP 3/4"
10	PMLPHOSE300PSI	10	1/2" ID HOSE 300PSI AT 70 DEG F BYPASS HOSE-KURI TEC YELL- 500'
11	PMSCH803-4REDBUSHING	2	3/4" MNPT X 1/4" FNPT RED BUSHING SCH 80
12	PMSCH80350410	2	1" HOSE BARB X MNPT SCHEDULE 80
13	PMSCH80805010	3	1" FNPT X 1" FNPT X 1" FNPT TEE
14	PMSCH80839101	1	3/4" MNPT X 1/2" FNPT RED BUSHING
15	PMSCH80839131	3	1" MNPT X 3/4" FNPT REDUCING BUSHING
16	PMSCH80861104	1	3/4" X CLOSE NIPPLE, SCH 80
17	PMSCH80861134	4	1" X 2" CLOSE NIPPLE
18	VF128	2	FILTER BRACKET (ALUMINUM)
19	VG100	2	OIL FILLED PRESSURE GUAGE (0-100 PSI/BAR), 2 1/2" SS CASE
20	VRP71	1	1/2" THREADED MALE HOSE CONNECTOR (1/2" BARB)



PMFILT KIT 12-30GPM2

UNSPECIFIED TOLERANCES		DIMENSIONS IN PARENTS ARE DIMENSIONS UNLESS OTHERWISE SPECIFIED		NAME	
DECIMAL 3 PLACE ±.010		4 PLACE ±.002		DATE 2/22/2010	
ANGULAR ± 1/2°		DRAWN TRC		12-30 GPM FILTER KIT W/ 2 FILTERS 1 & 5 MICRON	
This drawing and any print thereof is the property of VALCO and is subject to return on request by the company. The information shown is confidential and the recipient, by accepting this drawing, agrees not to use any information contained therein in any manner which will be detrimental to VALCO.		WEIGHT 42.992		PART NAME PMFILT KIT 12-30GPM2	
REV		ECN #		DESCRIPTION	
DATE		BY		SCALE 1:3	
PURCHASED Yes		SHEET 1 OF 1		CHECK	
REV.		-		REV.	
SCALE 1:3		SHEET 1 OF 1		REV.	

