

CAM Products 2000(TM):

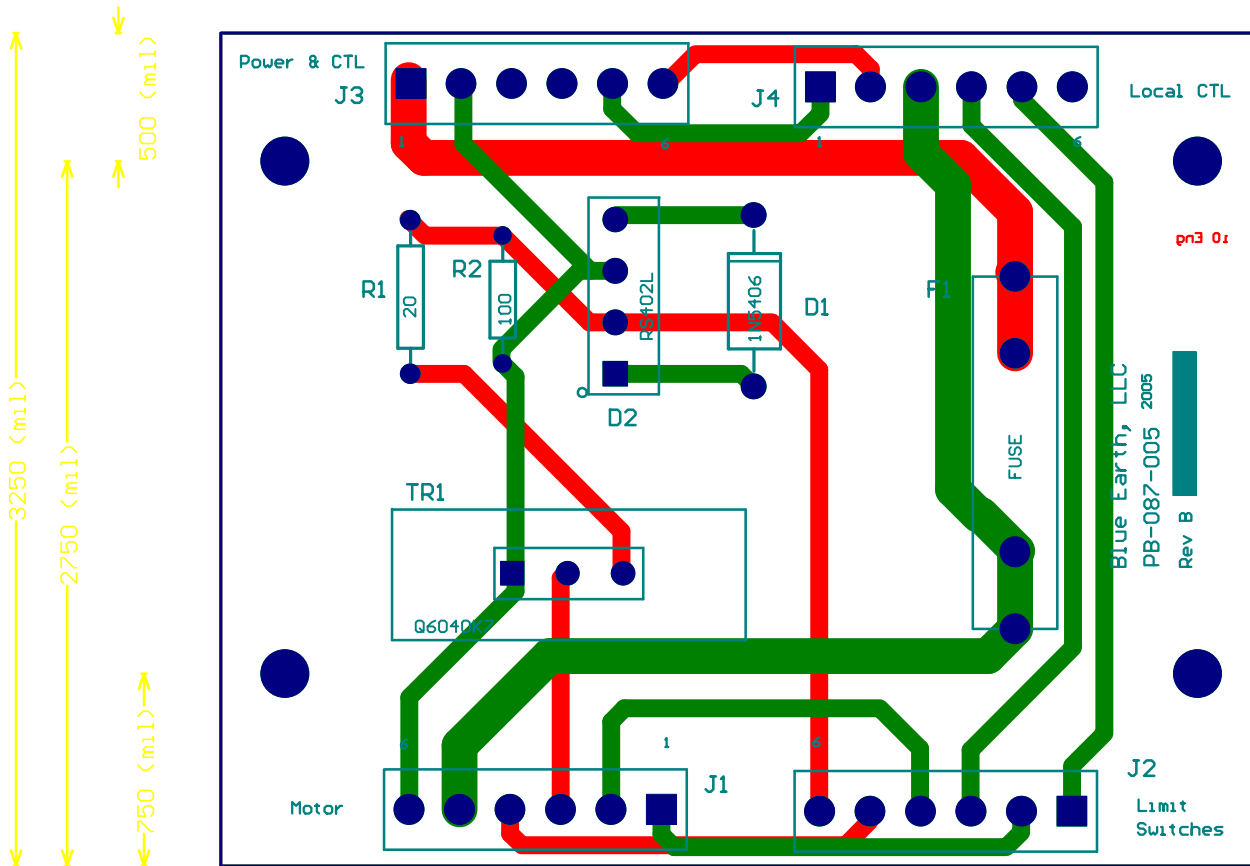
BLUE EARTH, LLC
 145 JACKSON AVE S.
 COKATO MN, 55321
 PH: 320-286-0109
 FAX: 320-286-2104

SIZE: 3.250x 4.062

P/N: PB-087-005

NOTES:

- 1) FR-4 94V-0 0.062 +/- .007 TH
- 2) 2 oz. NOM. FINISHED COPPER
- 3) SOLDERMASK (SMOBC) L.P.I. GREEN.
- 4) SILKSCREEN IS WHITE
- 5) HAL Sn-Pb PLATING
- 6) FINISHED HOLE TOL. = +/- .003
- 7) ARTWORK TO HOLE REGISTRATION = +/- .003
- 8) THIS IS A TWO LAYER BOARD
- 9) ASSEMBLY: *.GTO, *.GTL, *.GBL



□	X	◇	☆	2	32mil	0.8128mm	PTH
				2	38mil	0.9652mm	PTH
				33	59mil	1.4986mm	PTH
				4	69mil	1.7526mm	PTH
				4	160mil	4.064mm	PTH
				45	Total		