

BALDOR

BALDOR® • RELIANCE

Part Information Packet

APPLIED INDUSTRIAL TECHNOLOGY

VM3538

.5HP, 1725RPM, 3PH, 60HZ, 56C, 3416M, TEFC, F1

Part Detail							
Revision:	X	Status:	PRD/A	Change #:		Proprietary:	No
Type:	AC	Prod. Type:	3416M	Elec. Spec:	34WG0872	CD Diagram:	CD0005
Enclosure:	TEFC	Mfg Plant:		Mech. Spec:	34A063	Layout:	34LYA063
Frame:	56C	Mounting:	F1	Poles:	04	Created Date:	
Base:	N	Rotation:	R	Insulation:	B	Eff. Date:	05-02-2007
Leads:	9#18	Literature:		Elec. Diagram:		Replaced By:	

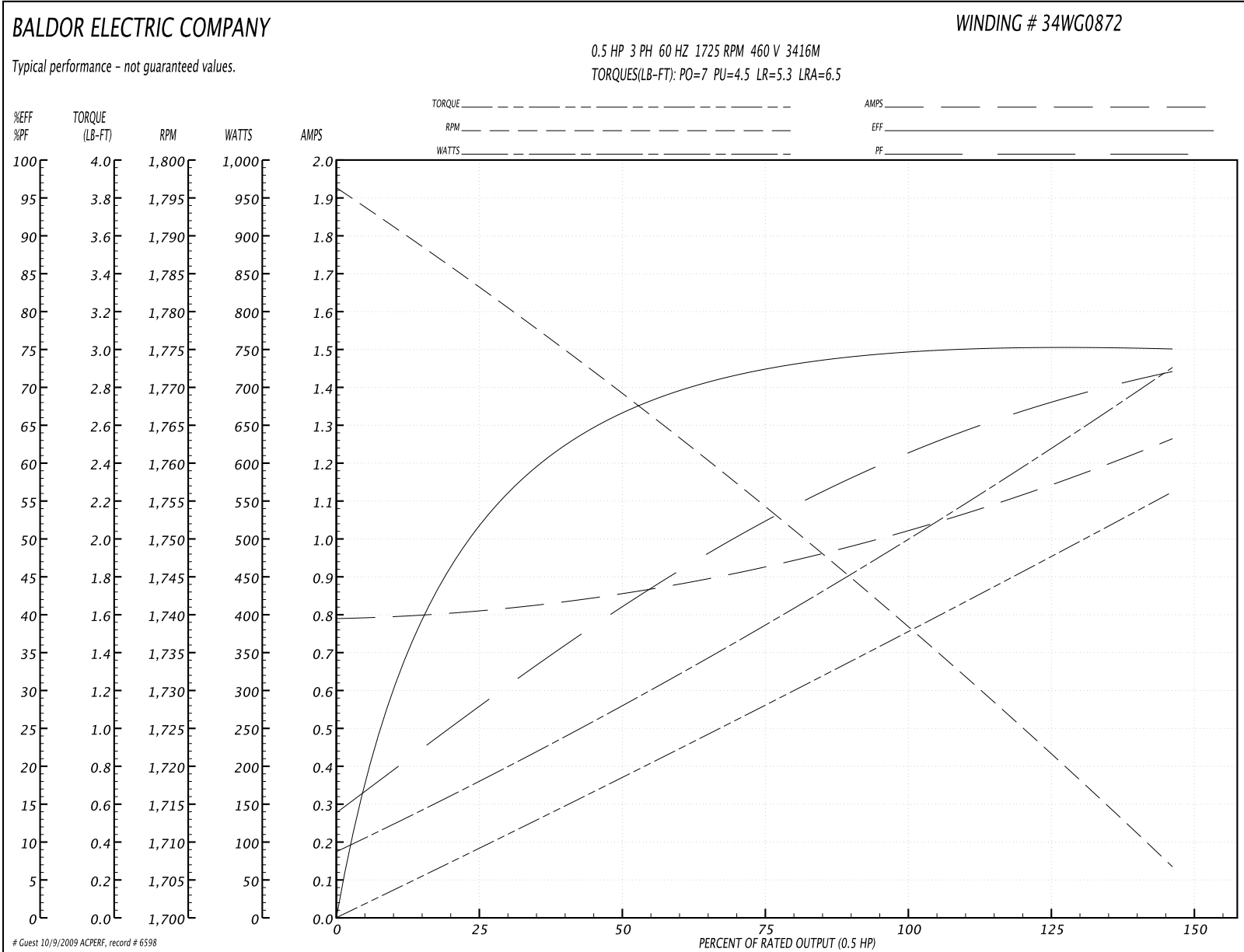
Nameplate NP1256L									
CAT.NO.	VM3538								
SPEC.	34A63-872								
HP	.5								
VOLTS	230/460								
AMP	2/1								
RPM	1725								
FRAME	56C	HZ			60	PH	3		
SER.F.	1.25	CODE			L	DES	B	CLASS	B
NEMA-NOM-EFF	74	PF			63				
RATING	40C AMB-CONT								
CC				USABLE AT 208V		2.5			
DE	6203	ODE			6203				
ENCL	TEFC	SN							
	SFA 2.4/1.2								

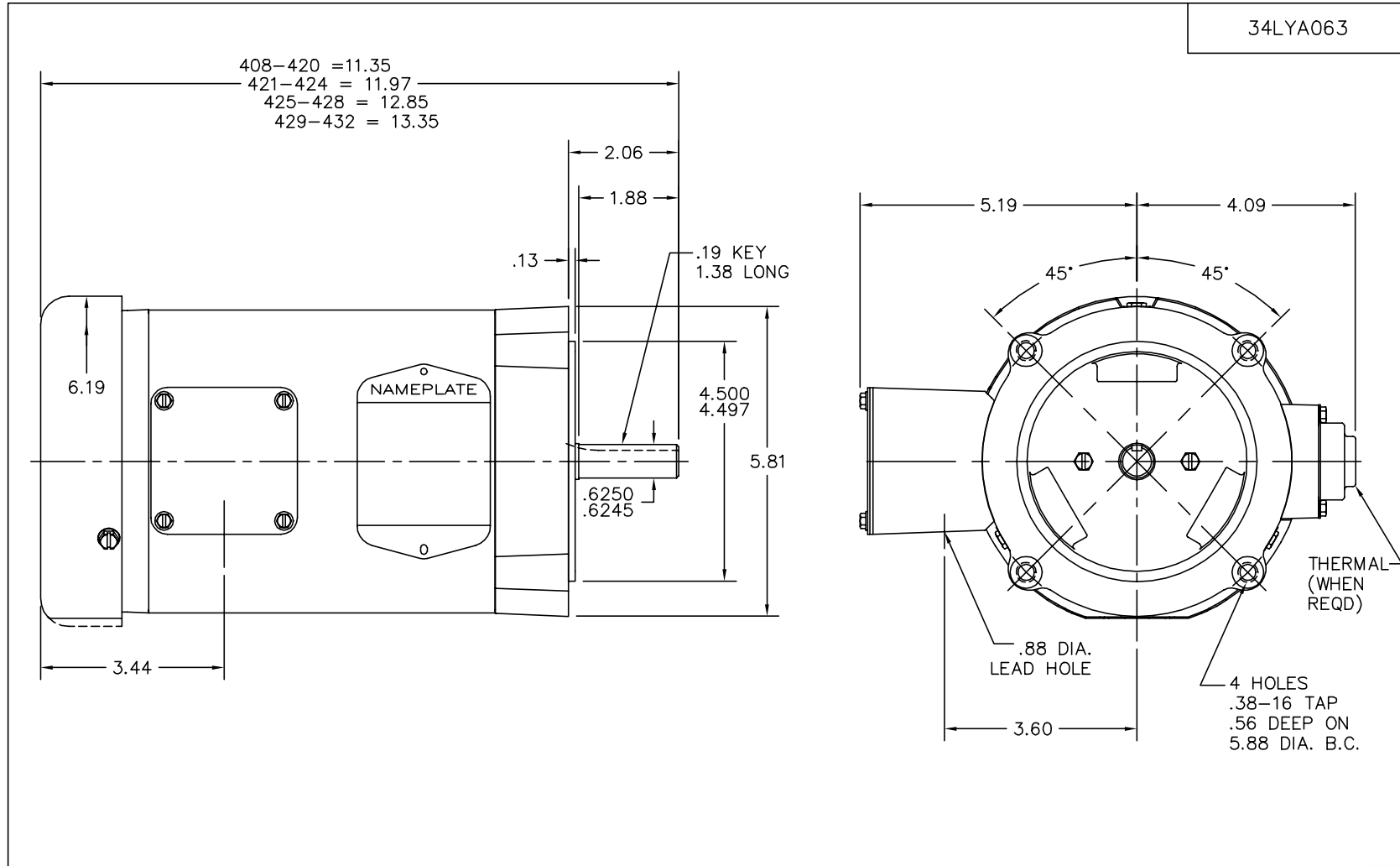
Parts List			
Part Number	Description	Quantity	List Price
SA009884	SA 34A63-872	1.000 EA	218.00 USD
RA006329	RA 34A63-872	1.000 EA	168.00 USD
NS2512A01	INSULATOR, CONDUIT BOX X	1.000 EA	3.00 USD
34CB3002A	CB CAST W/.88 DIA HOLE	1.000 EA	16.00 USD
34GS1029A01	GASKET, CONDUIT BOX	1.000 EA	3.00 USD
51XB1016A07	10-16 X 7/16 HXWSSLD SERTYB	2.000 EA	3.00 USD
11XW1032G06	10-32 X .38, TAPTITE II, HEX WSHR SLTD U	1.000 EA	4.00 USD
34EP3102A01SP	FR ENDPLATE, MACH	1.000 EA	82.00 USD
HW5100A03SP	WAVY WASHER (W1543-017)	1.000 EA	3.00 USD
34EP3300A24SP	PU ENDPLATE, MACH	1.000 EA	76.00 USD
51XN1032A20	10-32 X 1 1/4 HX WS SL SR	2.000 EA	3.00 USD
34FN3002A01SP	EXTERNAL FAN, PLASTIC, .637/.639 HUB W/	1.000 EA	17.00 USD
51XW1032A06	10-32 X .38, TAPTITE II, HEX WSHR SLTD S	3.000 EA	4.00 USD
34CB4517	CB LID 4 MTG HOLES .22 DIA STAMPED, FOR	1.000 EA	6.00 USD
34GS1031A01	GASKET, FLAT CONDUIT BOX LID (LEXIDE)	1.000 EA	3.00 USD
51XW0832A07	8-32 X .44, TAPTITE II, HEX WSHR SLTD SE	4.000 EA	3.00 USD
HW2501D13SP	KEY, 3/16 SQ X 1.375	1.000 EA	3.00 USD
34FH4002A01SP	IEC FH NO GREASER	1.000 EA	28.00 USD
HA7000A04	KEY RETAINER 0.625 DIA SHAFTS	1.000 EA	3.00 USD
MG1000G27	PAINT- S9282E CHARCOAL GREY	0.014 GA	
10XF0440S02	04-40 X 1/8 TYPE F HEX HD STAINLESS STIC	2.000 EA	2.00 USD
HA3100A12	THRUBOLT 10-32 X 7.375	4.000 EA	3.00 USD
LB5040	INSTRUCTION TAG, AC & DC	1.000 EA	3.00 USD
LB1125C01	STD (STOCK) CARTON LABEL BALDOR WITH FLA	1.000 EA	3.00 USD

Parts List (continued)			
Part Number	Description	Quantity	List Price
LC0005E01	CONN.DIA./WARNING LABEL (LC0005/LB1119)	1.000 EA	3.00 USD
NP1256L	ALUM, UL CSA CC, W/O THERMAL, LASER	1.000 EA	4.00 USD
34PA1002	PACKING GROUP, BALDOR	1.000 EA	16.00 USD

Performance Data at 460V, 60Hz, 0.5HP (Typical performance - Not guaranteed values)							
General Characteristics							
Full Load Torque:	1.5 LB-FT			Start Configuration:	DOL		
No-Load Current:	0.8 Amps			Break-Down Torque:	7.0 LB-FT		
Line-line Res. @ 25°C.:	32.0 Ohms A Ph / 0.0 Ohms B Ph			Pull-Up Torque:	4.5 LB-FT		
Temp. Rise @ Rated Load:	65 C			Locked-Rotor Torque:	5.3 LB-FT		
Temp. Rise @ S.F. Load:	77 C			Starting Current:	6.5 Amps		
Load Characteristics							
% of Rated Load	25	50	75	100	125	150	S.F.
Power Factor:	30.0	43.0	55.0	63.0	69.0	75.0	0.0
Efficiency:	53.2	66.4	72.5	74.6	75.3	75.1	0.0
Speed:	1782.0	1769.0	1754.0	1739.0	1724.0	1706.0	0.0
Line Amperes:	0.8	0.85	0.92	1.03	1.15	1.25	1.15

Performance Graph at 460V, 60Hz, 0.5HP Typical performance - Not guaranteed values





CUSTOMER IS RESPONSIBLE FOR DETERMINING THAT MOTOR PERFORMANCE IS SUITABLE IN THE APPLICATION.

REV. DESC: UPDATED KBOX & LID		
REV. LTR: K	VERSION: 01	TDR: 000000375102
34LYA063	FILE: \AAA\00000\724	REVISED: 13:33:38 09/02/2005
	MTL: -	BY: ENROSTO

BALDOR ELECTRIC Co.

STD VERT 34M NEMA 56C TEFC

34LYA063

CD0005



LOW VOLTAGE
(2Y)



LINE

HIGH VOLTAGE
(1Y)



LINE

NOTES:

1. INTERCHANGE ANY TWO LINE LEADS TO REVERSE ROTATION.
2. OPTIONAL THERMOSTATS ARE PROVIDED WHEN SPECIFIED.
3. ACTUAL NUMBER OF INTERNAL PARALLEL CIRCUITS MAY BE A MULTIPLE OF THOSE SHOWN ABOVE.
4. LEAD COLORS ARE OPTIONAL. LEADS MUST ALWAYS BE NUMBERED AS SHOWN.

REV. DESC: REVISE TO SHOW OPTIONAL COLORS			
REV. LTR: E	BY: JLP	REVISED: 01/19/99 10:15	TDR: 0171435
900000		FILE: AAA00005140	MDL: -
		MTL: -	

BALDOR ELECTRIC Co.

3PH, DV, 9 LEADS

CD0005