

NW10K 230v Northwind 10K Exhaust Fan

APPLICATION

The Northwind 10K exhaust fan is the most energy efficient fan in its class. Its efficiency exceeds all rebate program requirements. Standard equipment includes windhood, double wall, self-insulating housing (for elimination of frost build-up), and an easy to use, insulated winter door.

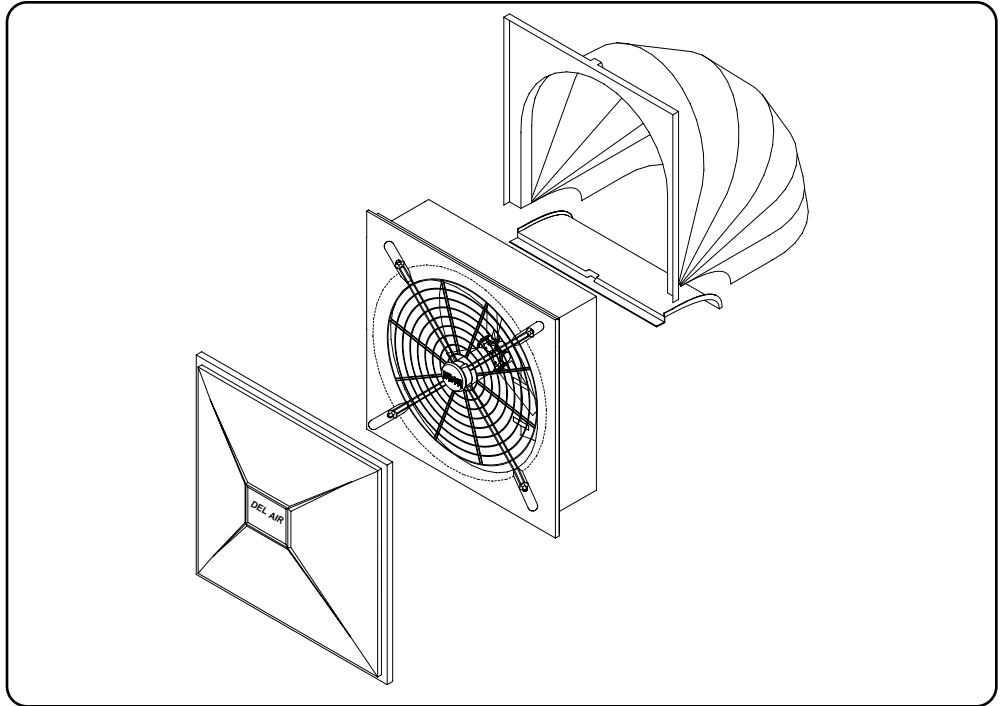
Del-Air's sleek motor design allows for maximum air movement and self cooling.

Fan can be ceiling or wall mounted in a standard 4 ft o.c. rough opening.

OPERATION

The Northwind 10K fan is ideally suited to applications requiring high capacity and reliable control of ventilation rates. The fan is capable of operating at 208 or 230 volts depending on your facilities power supply, on variable or on/off controls.

Since this fan is driven directly, there are no belts or additional parts to maintain. All parts are made of corrosion resistant materials for trouble free operation. Servicing this fan is



Motor Data

| | | |
|------------------------|------------------------|---------------------------|
| Make FASCO | Voltage 208/230 | Freq. 50/60 |
| Model 7128-0348 | Amps 2.4/2.2 | Capacitor 20 |
| Type U28B1 | RPM 790 | Insulation Class B |

Fan Performance Data

Other Info ->

| Static Pressure | CFM | Watts | CFM / Watt |
|--------------------------|-------|-------|------------|
| 0.0 in H ₂ O | 10020 | 505 | 19.8 |
| 0.05 in H ₂ O | 9130 | 505 | 18.1 |
| 0.10 in H ₂ O | 8050 | 507 | 15.9 |

Source: BESS Lab Test No. 95184

Rough Opening

Width 43 in
Height 43 in

Shipping Info

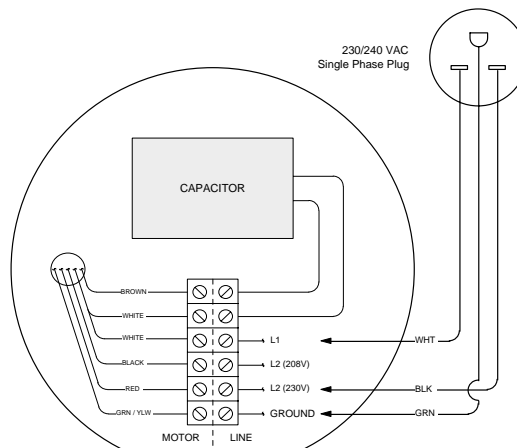
Package of

Length 49 in
Width 49 in
Height 18.5 in
Volume 25.7 ft³

Shipping Weight (149 lb
) 67.7) kg

- Box Pallet
 Shrink Wrap Other...

Wiring Diagram



Connect BLK to BLACK for 208V Facilities
Connect BLK to RED for 230V Facilities

Special Instructions

* Wind Hood is shipped separately without box. On multiple orders, the hoods are nested to reduce shipping space. Shipping volume one hood 44 x 44 x 48 in each additional hood, add 3 in to 48 in dimension.

