

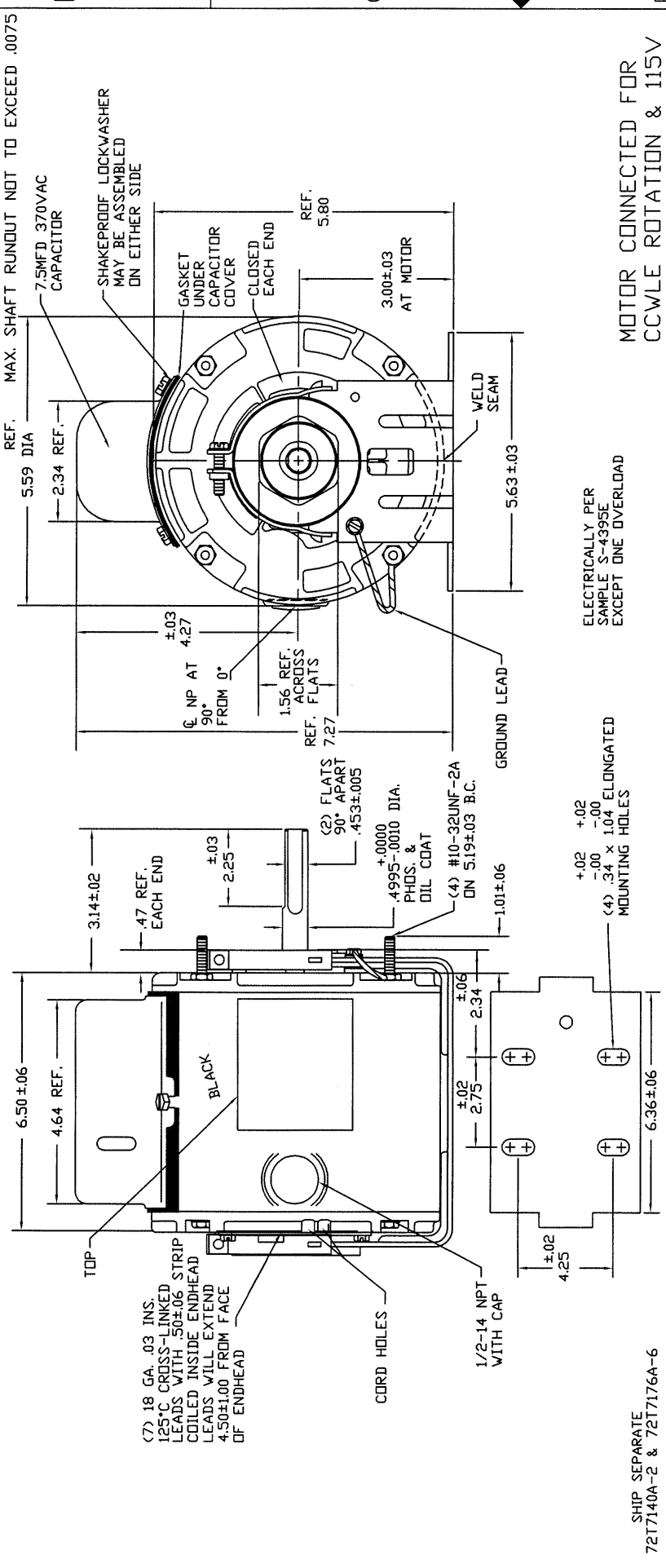
## A.O. Smith Motor Specifications

@115V 60Hz

M727

Model Number	C042
Rotation	REV
Motor Length	9.64"
Motor Type	PSC
Enclosure	TE
Insulation Class	B
Horsepower	0.25 HP
Voltage	115/230
Frequency	60 HZ
Service Factor	1.00
Ambient Temperature	40 C
Locked Rotor Amps	15.49 A
Locked Rotor Torque	3.9 oz-ft
Full Load Amps	3.4 A
Full Load Torque	10.4 oz-ft
Full Load Speed	1725 RPM
Full Load Watts	320 W
No Load Watts	106 W

REV	DATE	ECN	DESCRIPTION	REV BY	APPD
L	2001/03/13	001M27789	REMOVE PAINT FROM E-HEADS	TDK	MAL



**CUSTOMER IS SOLELY RESPONSIBLE FOR MOTOR PERFORMANCE AND SUITABILITY IN APPLICATIONS FOR CUSTOMER'S USES**

SHIP SEPARATE  
72T7140A-2 & 72T7176A-6

**A.O. SMITH ELECTRICAL PRODUCTS COMPANY**  
CENTURY® AC Motor

CAT. NO. C042 PART HF2J036N' FR 48Z  
HP/1/4 RPM 1700 HZ 60 PH1  
VOLTS 115/230 AMPS 3.4/1.7  
TIME CONT AMB. 40°C INS CL-B ENCL. TE CODE G  
BRG. BALL FORM PKN TYPE CX SF1.00 SERIAL DATE & PO# PLT LTR  
THERMALLY PROTECTED  
ADM FAN DUTY ONLY

LOW VOLTAGE YELLOW—LINE  
BLACK—NEUTRAL  
WHITE—GROUND  
ORANGE—REVERSE  
RED & BLACK—LEADS

HIGH VOLTAGE YELLOW—LINE  
BLACK—NEUTRAL  
WHITE—GROUND  
ORANGE—REVERSE  
RED & BLACK—LEADS

ASSEMBLED IN MEXICO

ROT.:- REVERSIBLE

115 VOLT

230 VOLT

SCHEMATIC-199

MOTOR CONNECTED FOR  
CCWLE ROTATION & 115V

ELECTRICALLY PER  
SAMPLE S-4395E  
EXCEPT ONE OVERLOAD

DO NOT SCALE

RFHP

AUTOCAD FORM 3

UNLESS OTHERWISE SPECIFIED  
DIM ARE IN INCHES  
X .0005  
X .001  
X .002  
X .005  
X .010  
X .020  
X .050  
X .100  
X .200  
X .500  
X 1.000

THE INFORMATION HEREON IS THE  
PROPERTY OF A.O. SMITH  
ELECTRICAL PRODUCTS CO.  
WITHOUT WRITTEN PERMISSION,  
ANY COPYING, TRANSMISSION,  
REPRODUCTION OR DISSEMINATION  
IN ANY MANNER IS PROHIBITED.

1998/04/23  
DR BY: TDK  
CHK BY: MCE  
APP'D: ISS

1998/04/23

TITLE  
CENTURY CAT. NO. C042

SIZE  
C DWG NO  
HF2J7036

SCALE  
I=1

SHEET 1 OF 1



C042

5/23/89

DATA SHEET 00514900

MAGNETEK CENTURY ELECTRIC  
A-C Motor Performance Data

WINDING 163665

TYPE CX  
FRAME G48Z  
PART NO. 164971  
ENCL. TEAD  
S.F. 1.00  
INSUL CL.B

HP .25  
FL RPM 1700  
PH/HZ 1/60  
VOLTS 115/230  
AMPS 3.4/1.7

LRT 7.5 OZ-FT  
BDT 34.0  
PUT 7.5  
LRA 14 AT 115 V.

-----PERFORMANCE DATA AT 115 VOLTS-----

	HP	AMPS	WATTS	SPEED (RPM)	TORQUE (OZ-FT)	EFF. (%)	P.F. (%)
NO LOAD	.00	2.48	122	1800	.0	.0	42.9
	.01	2.50	123	1797	.3	3.8	42.8
	.01	2.52	125	1794	.6	7.5	43.0
	.02	2.55	127	1791	.9	11.0	43.6
	.03	2.57	131	1788	1.2	14.3	44.4
	.03	2.59	135	1785	1.5	17.3	45.4
	.04	2.61	140	1782	1.8	20.1	46.6
	.04	2.64	145	1779	2.1	22.5	48.0
	.05	2.66	151	1777	2.4	24.7	49.6
	.06	2.68	158	1774	2.7	26.7	51.2
1/4 LOAD	.06	2.71	164	1772	3.0	28.4	52.9
	.07	2.73	171	1769	3.3	30.0	54.7
	.08	2.76	179	1767	3.6	31.3	56.5
	.08	2.78	186	1765	3.9	32.6	58.3
	.09	2.81	193	1762	4.2	33.8	60.1
	.09	2.83	201	1760	4.5	34.8	61.8
	.10	2.86	207	1758	4.8	36.1	62.9
	.11	2.89	212	1757	5.1	37.4	63.9
	.11	2.92	217	1755	5.4	38.7	64.7
	.12	2.95	222	1753	5.7	40.0	65.5
1/2 LOAD	.13	2.98	227	1752	6.0	41.2	66.2
	.13	3.02	231	1750	6.3	42.4	66.8
	.14	3.05	235	1749	6.6	43.6	67.3
	.14	3.08	239	1747	6.9	44.8	67.8
	.15	3.11	243	1746	7.2	46.0	68.2
	.16	3.14	247	1744	7.5	47.2	68.6
	.16	3.17	251	1743	7.8	48.3	69.0
	.17	3.20	255	1742	8.1	49.4	69.3
	.17	3.23	258	1740	8.4	50.5	69.7
	.18	3.26	262	1739	8.8	51.6	70.1
3/4 LOAD	.19	3.28	266	1737	9.1	52.6	70.6
	.19	3.31	270	1735	9.4	53.6	71.1
	.20	3.33	273	1733	9.7	54.6	71.5
	.21	3.35	277	1731	10.0	55.6	72.0
	.21	3.38	281	1730	10.3	56.5	72.4
	.22	3.40	284	1728	10.6	57.5	72.9
	.22	3.42	288	1726	11.0	58.4	73.3
	.23	3.44	291	1724	11.3	59.3	73.7
	.24	3.46	295	1722	11.6	60.1	74.2
	.24	3.48	298	1721	11.9	61.0	74.6
FULL LOAD	.25	3.50	302	1719	12.2	61.8	75.0
	.26	3.52	305	1717	12.5	62.7	75.5
	.26	3.54	309	1716	12.9	63.5	75.9
	.27	3.56	312	1714	13.2	64.2	76.4
	.27	3.58	316	1713	13.5	65.0	76.8
	.28	3.60	319	1711	13.8	65.7	77.3
	.29	3.62	323	1709	14.1	66.4	77.7
	.29	3.64	327	1708	14.4	67.1	78.2
	.30	3.66	330	1706	14.8	67.8	78.6
	.31	3.68	334	1705	15.1	68.4	79.1
	.31	3.70	338	1703	15.4	69.0	79.6
	.32	3.72	342	1701	15.7	69.5	80.0
	.32	3.75	346	1700	16.1	70.0	80.5
	.33	3.77	351	1698	16.4	70.4	81.0
	.34	3.80	356	1696	16.7	70.8	81.6
	.34	3.83	361	1694	17.0	71.1	82.1
	.35	3.85	366	1693	17.4	71.5	82.6
	.36	3.88	370	1691	17.7	71.8	83.1
	.36	3.91	375	1689	18.0	72.1	83.6
	.37	3.94	380	1687	18.4	72.3	84.1
	.37	3.97	385	1685	18.7	72.6	84.5

Nominal data based on lab tests with motor at normal operating temperature. Values are representative of this rating.