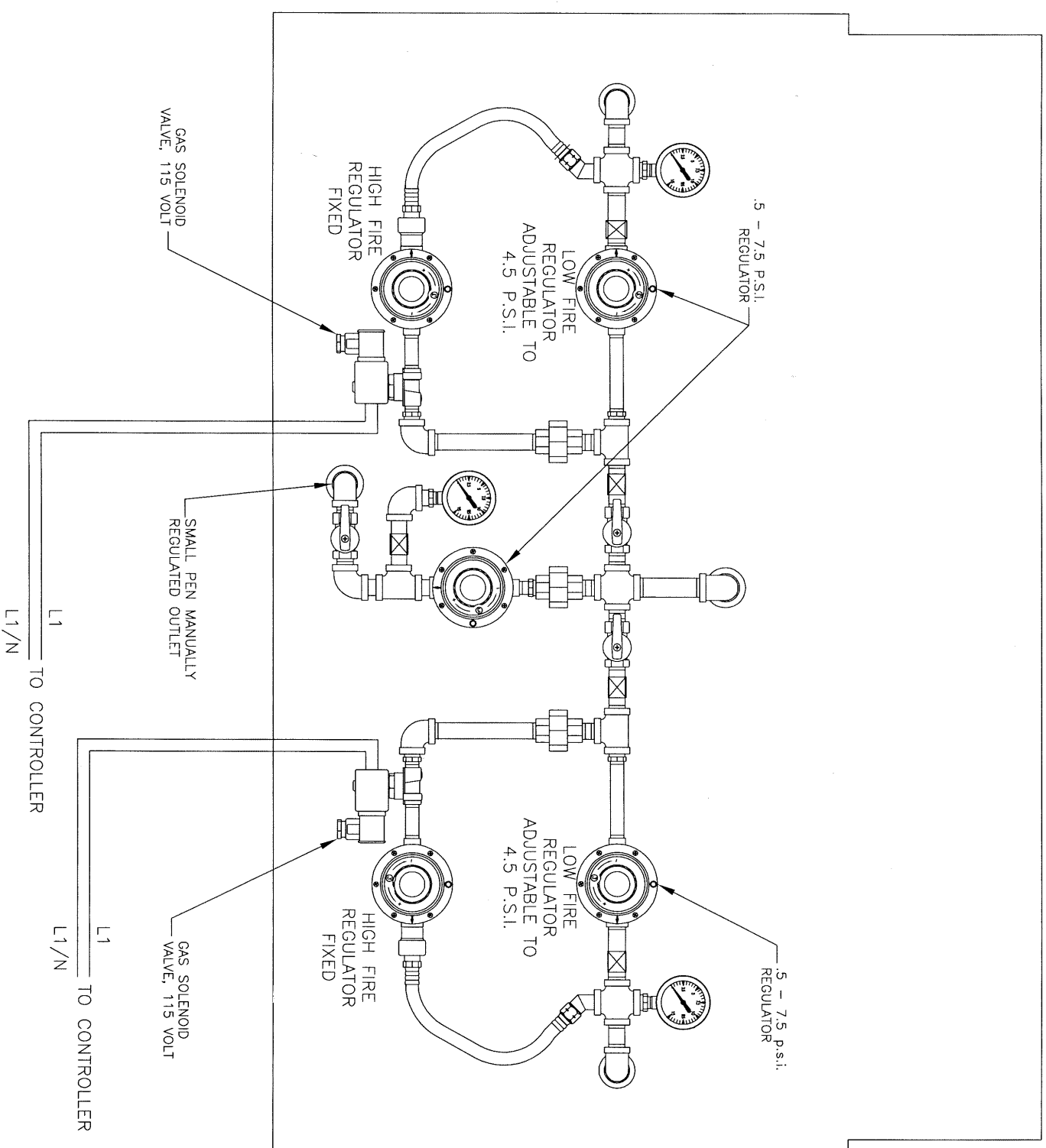




BE-020-201 HI/LOW Gas Panel

There are three sections to the HI/LOW gas panel. The Panel has two actuated High/Low zones and a Sick pen regulator. Each Hi/Low zone has a separate regulator for the low and high settings. Each bank is rated at 275K btu's, for a total of 550K btu's for the panel.

- No adjustment is necessary for the HIGH fire regulators. They are preset to 4.5psi. They are actuated by the environmental control settings.
- Adjust the LOW fire regulators to the desired minimum heat setting depending upon the environmental conditions. The absolute minimum setting must be no lower than .5 PSI to keep the heater pilot flame lit.
- Adjust the sick pen regulator to the desired PSI depending on the environmental conditions. The manual valve must be opened in order for the system to function.



TOLERANCES UNLESS OTHERWISE SPECIFIED	DATE 04/26/07	GAS MANIFOLD PANEL, 2 ZONE		RAYDOT LLC Success Is In The Air
FRACTIONS ± 1/32	DRAWN BY SMB	W/ MANUAL REGULATORS & SOLENOID VALVES		
DECIMALS ± .030	ENGR.	SCALE	NONE	115 AMCON, INC. 501 CONRO, WA 98011 NEW DRAWING NUMBER BE-020-201-2
INCH X ± .020	APPROVER:	SCALE	NONE	
XXX ± .010	FOR	SHEET	1 OF 1	
ANGLES ± 0'30"	FOR			
OLD DWG #	NEW			