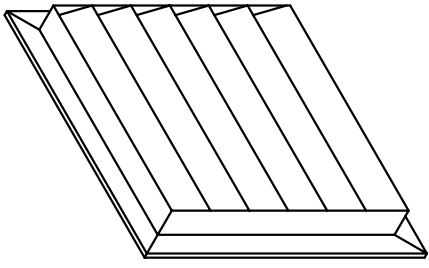


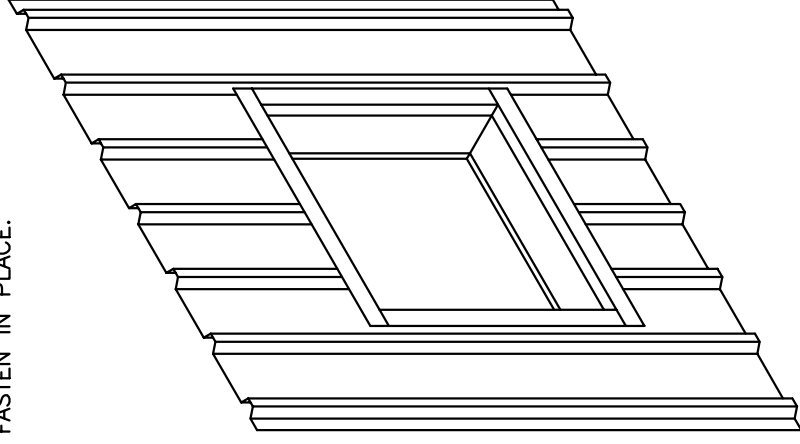
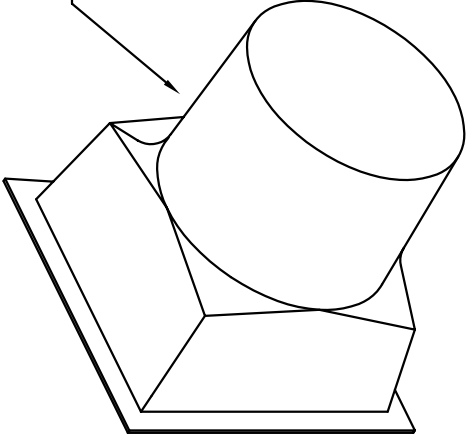
DRAWING REVISIONS

REV.:	BY:	DATE:	DESCRIPTION OF CHANGE	ECO NUMBER:
A	JMH	122302	REMOVE ALTERNATE SHUTTER DETAIL & PERIMETER TRIM OPTION	N/A

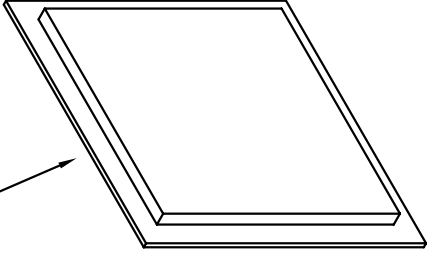
INSTALL SHUTTER WITH VANES OPENING UPWARD WHEN FAN ACTIVATES.



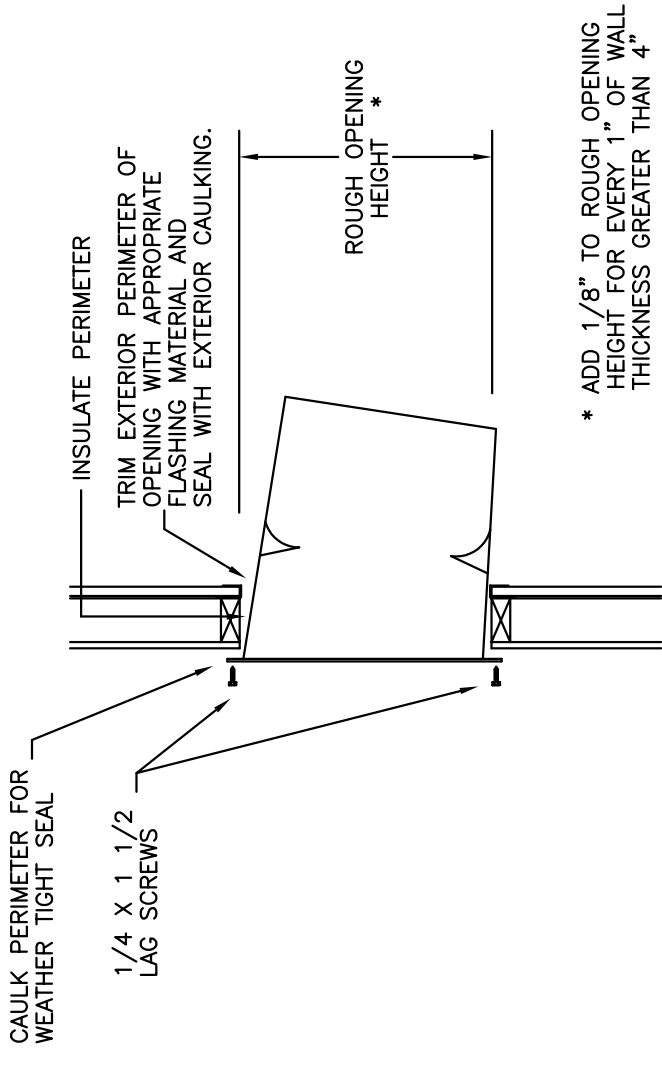
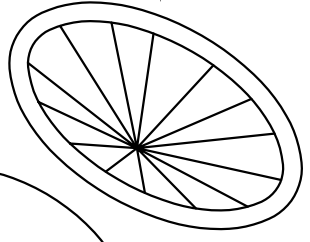
INSTALL RAYDOT FIBERGLASS FAN FROM INTERIOR OF BUILDING, SLIP HOUSING THROUGH APPROPRIATE SIZED PREPARED OPENING AND FASTEN IN PLACE.



OPTIONAL INSULATED WINTER DOOR (SUMMER FANS)



OPTIONAL WIND DIVERTER KIT (VARIABLE SPEED FANS)



* ADD 1/8" TO ROUGH OPENING HEIGHT FOR EVERY 1" OF WALL THICKNESS GREATER THAN 4"

ROUGH OPENINGS

- 8" FIBERGLASS WALL FAN - 9 1/2" X 9 1/2" (4 - LAG SCREWS)
- 10" FIBERGLASS WALL FAN - 11 1/8" X 11 1/8" (4 - LAG SCREWS)
- 12" FIBERGLASS WALL FAN - 16" X 16" (8 - LAG SCREWS)
- 16" FIBERGLASS WALL FAN - 19" X 19" (8 - LAG SCREWS)
- 20" FIBERGLASS WALL FAN - 22 1/2" X 22 1/2" (8 - LAG SCREWS)
- 24" FIBERGLASS WALL FAN - 26 1/2" X 26 1/2" (8 - LAG SCREWS)
- 36" FIBERGLASS WALL FAN - 39" X 39" (12 - LAG SCREWS)

TOLERANCES UNLESS OTHERWISE SPECIFIED		DATE: 071494	RAYDOT FIBERGLASS WALL FAN	
FRACTIONS ± 1/32		DRAWN BY: LS		
DECIMALS ± .030		ENGR:		
INCH .X ± .020		APPROVED:		
.XXX ± .010		DLR: NONE	INSTALLATION PROCEDURES	
ANGLES ± 0°30'		OLD DWG. # 1372-A-94	SCALE: NONE	SHEET 1 of 1

Success Is In The Air

145 JACKSON AVE. SO., COKATO, MN. 55321

NEW DRAWING NUMBER IS1004