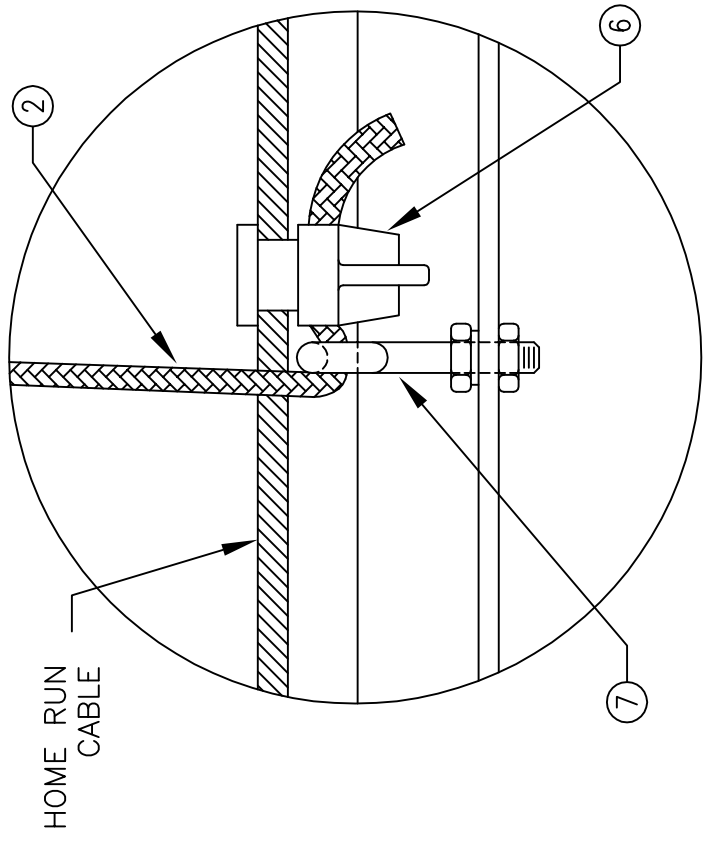
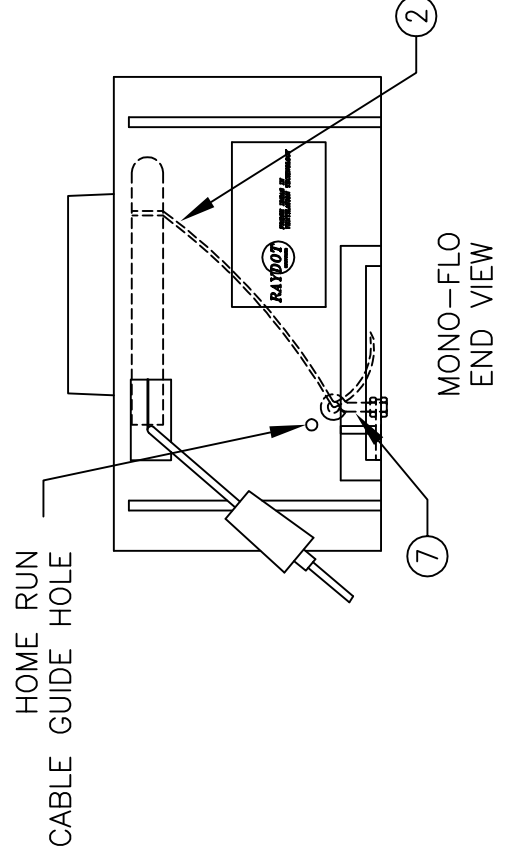
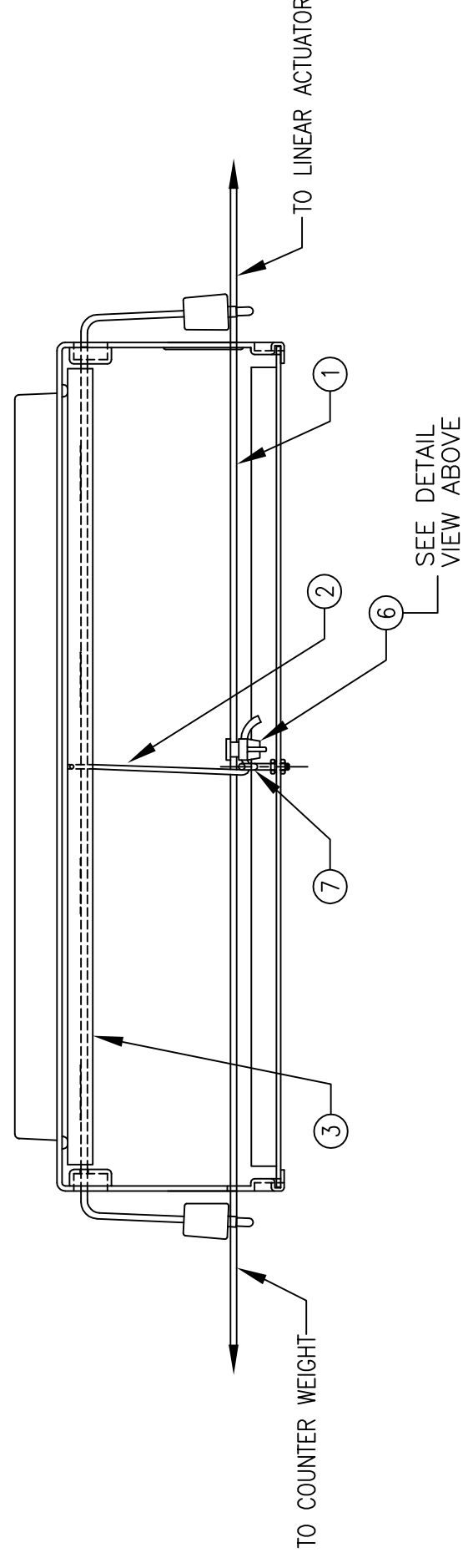


DRAWING REVISIONS

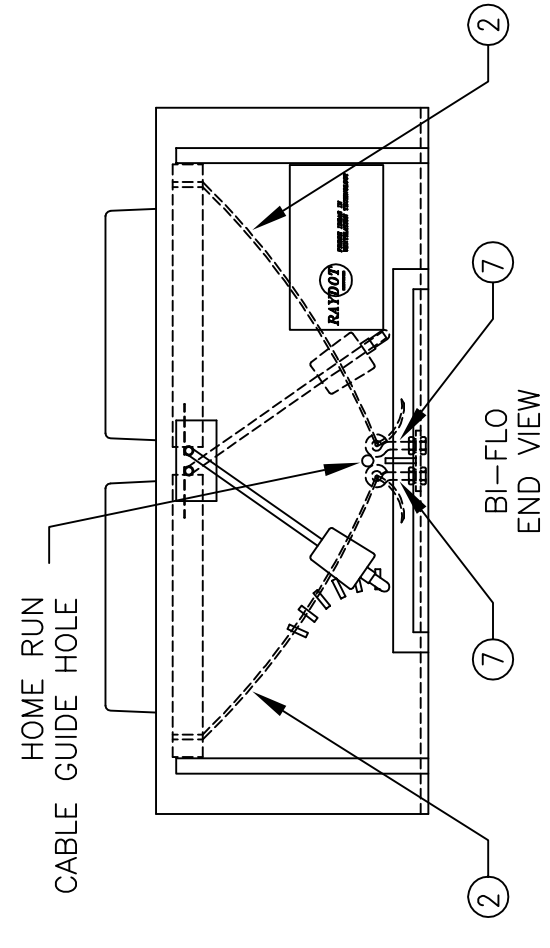
REV.:	BY:	DATE:	DESCRIPTION OF CHANGE	ECO NUMBER:
A	JMH	070803	REMOVE VALVE STOP CLIPS TO UPDATE DRAWING	N/A



CONNECTION DETAIL



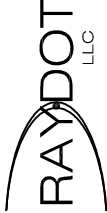
MONO-FLO
END VIEW



BI-FLO
END VIEW

- 1/8" STAINLESS STEEL CABLE RUN THROUGH THE 9/32" HOLES AT EACH END OF THE POWER-FLO HOUSING. THIS CABLE SHALL RUN THROUGH THE ENTIRE ROW OF HOUSINGS AND BE CONNECTED TO A LINEAR ACTUATOR AT THE END OF THE ROW OF POWER-FLO UNITS. A COUNTER WEIGHT SHALL BE USED AT THE OTHER END TO KEEP CONSTANT TENSION ON THE STAINLESS STEEL CABLE.
- POLYCORD VALVE LANYARD SHALL RUN THROUGH THE LANYARD GUIDE (#7) AND BE CONNECTED TO THE STAINLESS STEEL CABLE WITH NO SLACK IN THE LANYARD. THE CONNECTION SHALL BE MADE WITH AN AZUMA NUT ADJUSTABLE FASTENER (#6).
- PVC CLAD STYROFOAM AIR VALVE.

DATE: 123097	INSTALLATION INSTRUCTIONS
DRAWN BY: JMH	FOR
ENGR:	RAYDOT POWER-FLO
APPROVED:	CEILING INLET
DATE: NONE	LANYARD CONNECTIONS DETAIL
OLD DWG. # 1127-C-97	SCALE: NONE
	SHEET 3 OF 3



 Success Is In The Air

 145 JOHNSON AVE. SO. COONAP. MN. 55201

 NEW DRAWING NUMBER

 IS10046-3