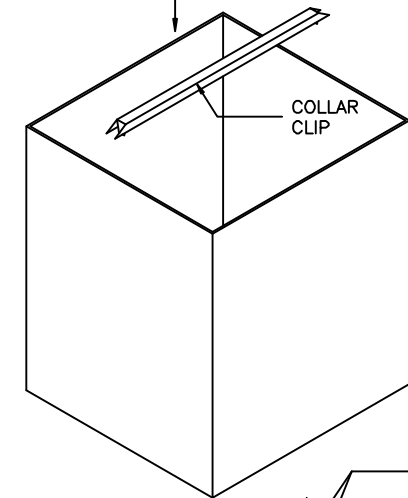
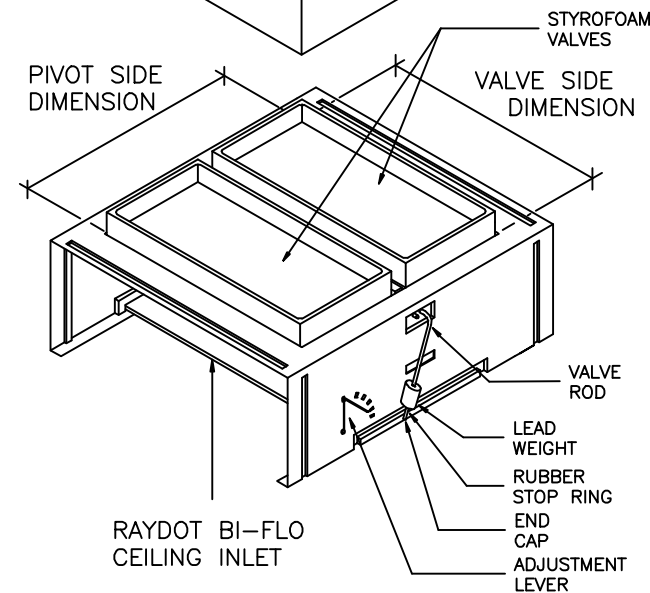


CORRUGATED PLASTIC INSULATION COLLAR



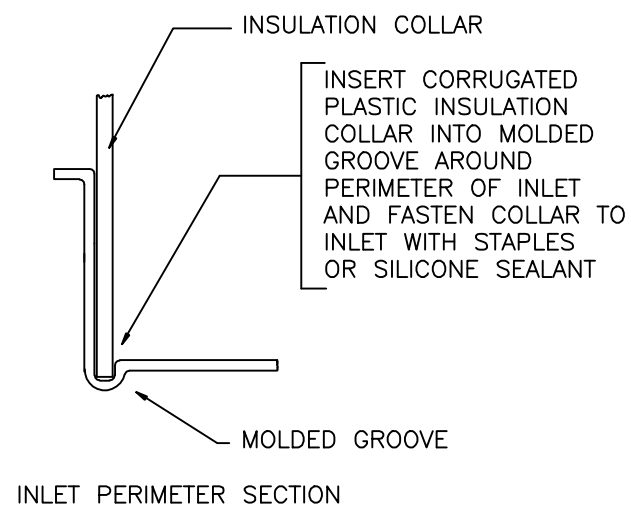
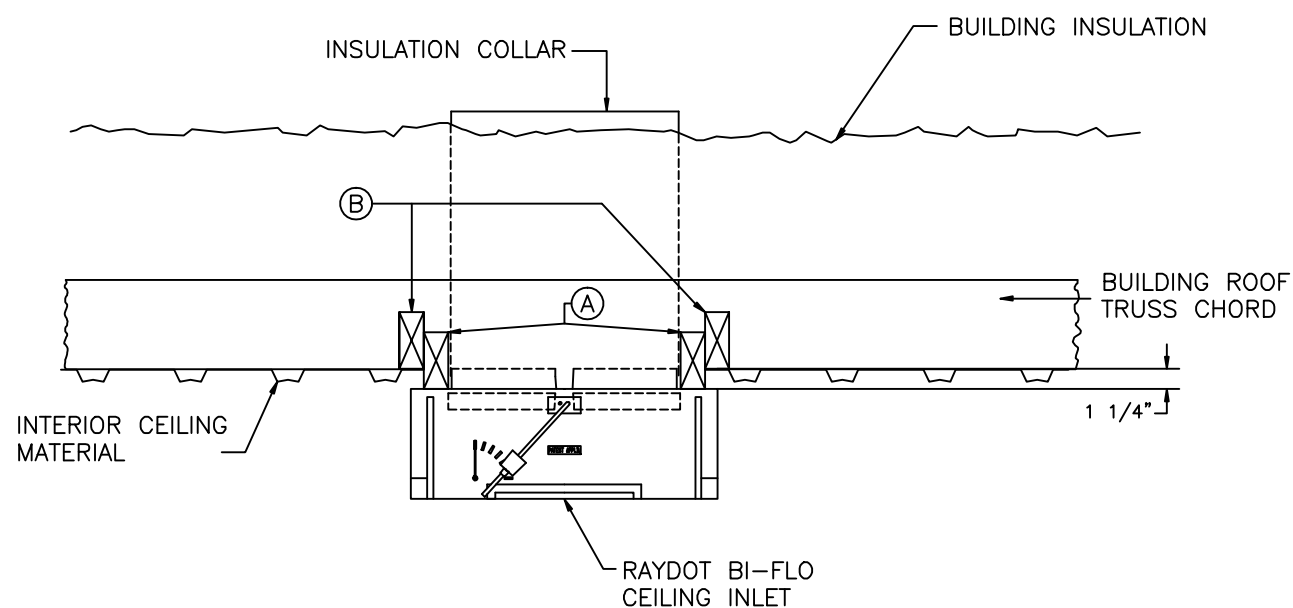
NOTE: THE COLLAR CLIP IS ONLY USED ON THE BF-2400. INSERT COLLAR CLIP FROM THE INSIDE OF THE COLLAR. LOCATE THE APPROXIMATE CENTER AND FORCE THE POINTED ENDS THROUGH THE COLLAR MATERIAL, FIRST ONE AND THEN THE OTHER. HAND BEND THE POINTED ENDS TOGETHER TO FORM A SECURE STAPLE TO THE SIDES OF THE COLLAR.



### FASTENING PROCEDURES

FASTEN INLET TO RIGID CEILING MATERIAL OR FRAMING MEMBERS WITH SCREWS. DRILL THROUGH INLET SHELL, AWAY FROM VALVE OPERATION, USING A DRILL BIT WITH A SLIGHTLY LARGER DIAMETER THAN THE SCREW BODY. DO NOT OVER TORQUE SCREWS. MAKE SURE INLET IS SECURED IN A LEVEL POSITION AND THAT THE VALVE AND PIVOT ASSEMBLY ARE OPERATING FREELY.

- (A) INLET R.O. FRAMING (2 X 4) 1 1/4" BELOW TRUSS BOTTOM.
- (B) CEILING SHEETING BACKERS (2 X 4) FLUSH WITH TRUSS BOTTOM.



ROUGH OPENING DIMENSIONS		
MODEL	PIVOT SIDE	VALVE SIDE
BF-800	14 1/4"	14 1/4"
BF-1200	12 7/8"	22 5/8"
BF-2400	16 1/2"	33 3/4"

TOLERANCES UNLESS OTHERWISE SPECIFIED DECIMALS INCH .X ± .060 .XX ± .030 .XXX ± .015 ANGLES ± 1°	DATE: 100897	<b>INSTALLATION INSTRUCTIONS FOR RAYDOT BI-FLO CEILING INLETS WITH 1 1/4" REVEAL</b> INSTALLATION INSTRUCTIONS	<p>Success Is In The Air</p> <p>145 JACKSON AVE. SO., COKATO, MN. 55321</p> <p>NEW DRAWING NUMBER IS10044-2</p>	
	DRAWN BY: KRP			ENGR:
	APPROVED:			DLR: NONE
	OLD DWG. # 1058-A-97			SCALE: NONE