

36" BOX FAN PIVOT BRACKET

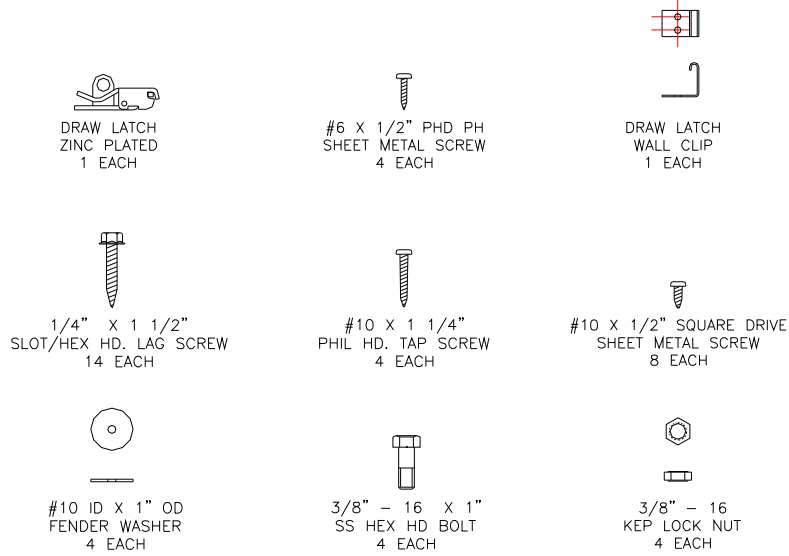


RAY DOT
LLC

VALAIR™

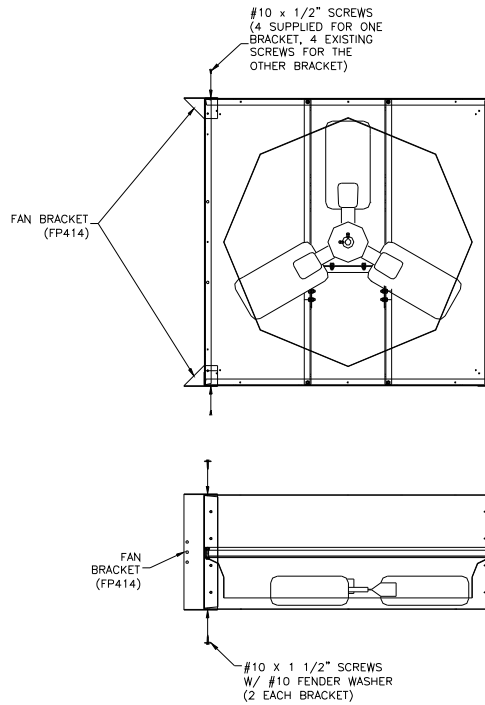
Step 1.

Unpackage and become familiar with all of the pivot bracket components and hardware. The legend below will help to familiarize you with the hardware required for this assembly.



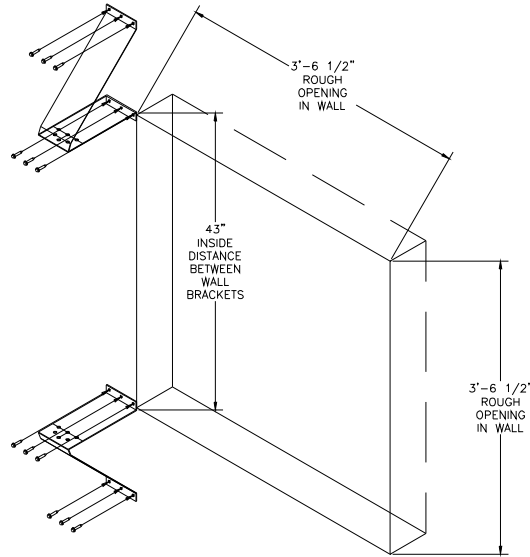
Step 2.

Attach the two fan brackets (Part # FP414) to the 36" box fan using four #10 X 1/2" Type A screws (Part # MH90211) and two #10 X 1 1/4" Type A screws (Part # MH90214) w/ fender washers (Part # MH8021) for each fan bracket.



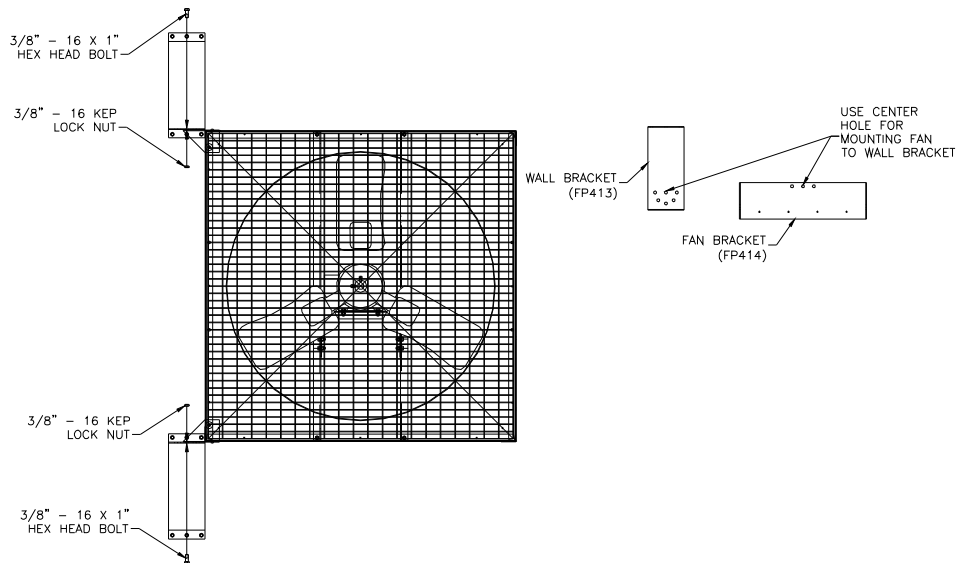
Step 3.

Attach the two wall brackets (Part # FP413) to the wall using 6 - #14 X 1 1/2" Type A (Part # MH90241) screws for each wall bracket. These wall brackets shall be spaced 43" apart and mounted at the appropriate height with respect to the fan opening.



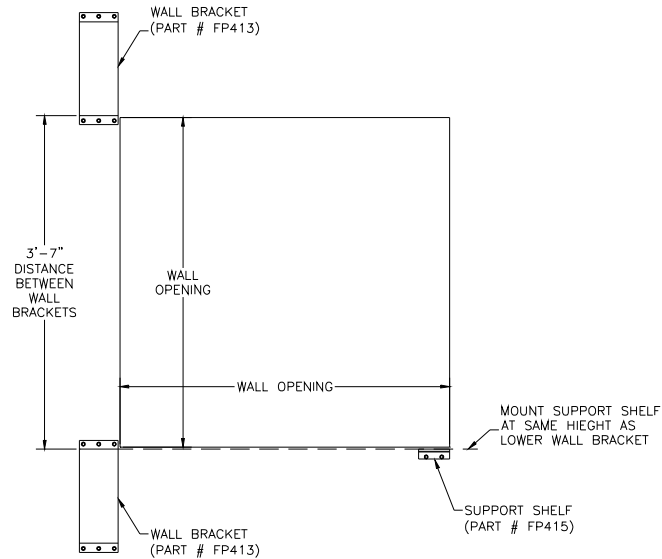
Step 4.

Position the fan with fan brackets (Part # FP414) onto the wall brackets (Part # FP413) and bolt into place using 2 - 3/8" - 16 x 1" bolts (Part # MH90191) and 3/8" - 16 Kep Lock nuts (Part # MH90055).



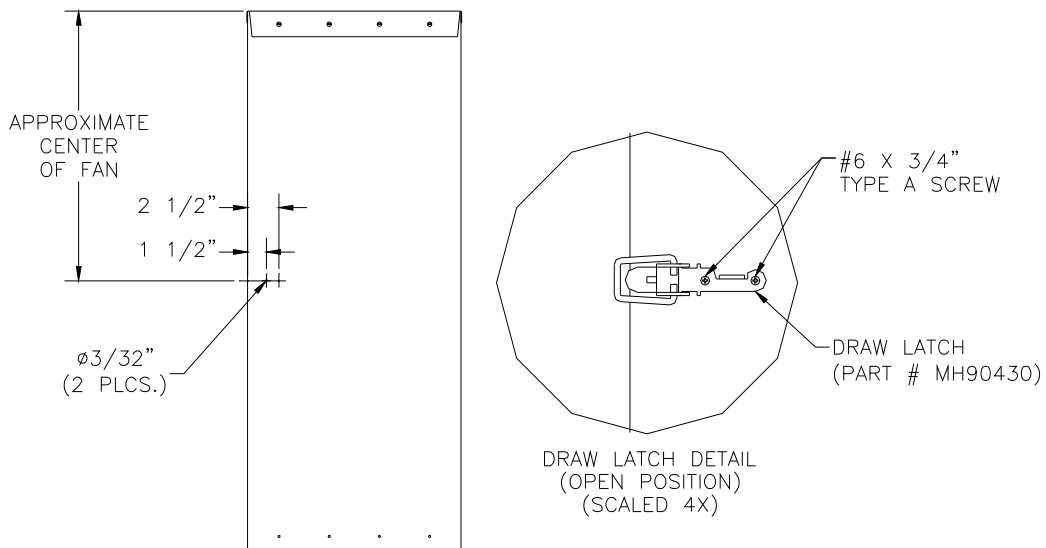
Step 5.

Mount the support shelf (Part # FP415) to the wall at the proper height to lend support to the fan's outer end. This shall be accomplished using 2 - #14 X 1 1/2" Type A screws.



Step 6.

Drill two 3/32" diameter holes in the positions shown below and attach the draw latch (Part # MH90430) to the fan using 2 - #6 X 3/4" Type A screws. Once the draw latch has been attached to the fan, with the fan against the wall position the draw latch wall clip (Part # FP423) and mark this location on the wall. Using 2 - #6 X 3/4" Type A screws attach the wall clip to the proper position on the wall.



Step 7.

Rotate the fan to the desired position and insert the 3/8" X 1" locking bolts (Part # MH90191) into the wall brackets and fan brackets and secure with 3/8" Kep Lock nuts (Part # MH90055).

WARNING If these ventilation products are used to support life in agricultural structures where failure of the system could result in loss or injury, the user must provide an adequate backup and alarm system. The user must accept all risks of such loss or injury due to the possible failure of the ventilation system.

CAUTION Do not install fan with moving parts within seven feet of floor or grade level without a guard that complies with OSHA Regulations. Do not use unless electrical wiring complies with all applicable codes. Do not wire without providing for power source disconnect at the fan itself. Do not service except by a qualified maintenance technician and only after disconnecting the power source. Do not install in room where flammable material is stored or flammable vapors might build up. Failure to observe all of these precautions can result in serious injury or death.

SERVICE AND TECHNICAL ASSISTANCE

Your dealer or the Raydot Service Department will be happy to answer all technical questions which will improve your use of the Galvanized fan series. Be prepared with the model number and necessary information before you place a call to your dealer or Raydot L.L.C. If your fan requires service when the warranty period has expired, please contact your dealer for assistance or return the unit to Raydot L.L.C. for repair.

Inquiries



Raydot & ValAir are Divisions of VALCO Companies

P.O. Box 117
210 E. Main Street
Coldwater, OH 45828
Ph. 800-998-2526