

ASSEMBLY INSTRUCTIONS
FOR THE PMC-36", 48" & 50"
GUARD SCREENS AND FIBERGLASS CONES

ASSEMBLE ALL SECTIONS OF THE CONE TOGETHER USING 1/4"φ BOLTS WITH WASHERS AND NUTS INSERTED INTO THE PRE DRILLED HOLES ALONG THE STANDING SEAMS (SEE FIGURE #1). TIGHTEN THESE FASTENERS AT THIS TIME. INSTALL THE CONE ON THE FAN HOUSING MAKING SURE ONE OF THE STANDING SEAMS IS AT THE TOP OF THE FAN HOUSING. INSERT 1/4"φ WAFER HEAD BOLTS INTO THE HOLES FROM THE INSIDE OF THE FAN HOUSING EXTENDING TO THE OUTSIDE AND TIGHTENING WITH NUTS AND FENDER WASHERS. MAKE SURE THE HEADS OF THE BOLTS DO NOT INTERFERE WITH THE BLADE TIPS. POSITION THE GUARD SCREEN INTO THE CONE AND DRILL 9/32"φ MOUNTING HOLES AND FASTEN WITH 1/4"φ BOLTS WITH WASHERS AND NUTS. SECURE ALL FASTENERS IN PLACE BEFORE TIGHTENING.

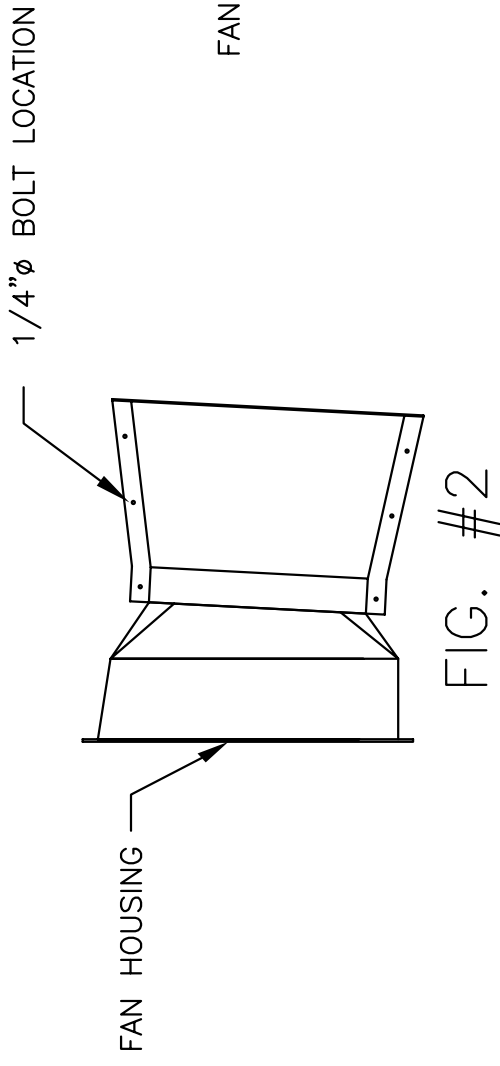


FIG. #2

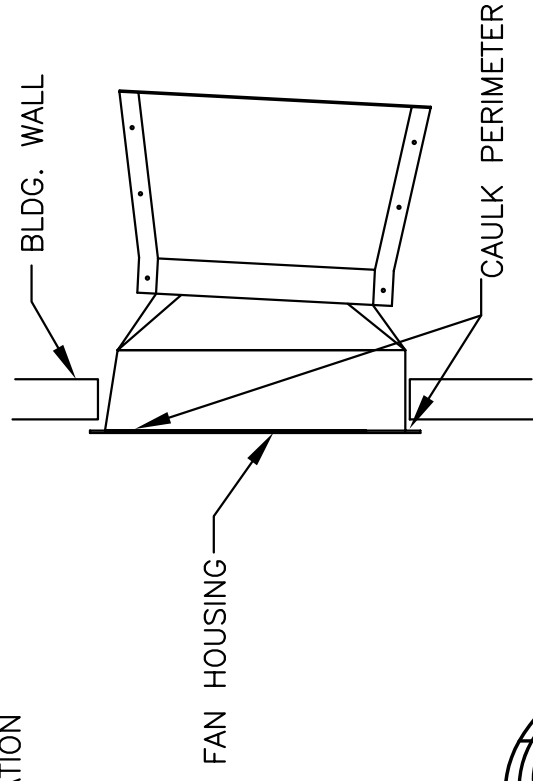


FIG. #3

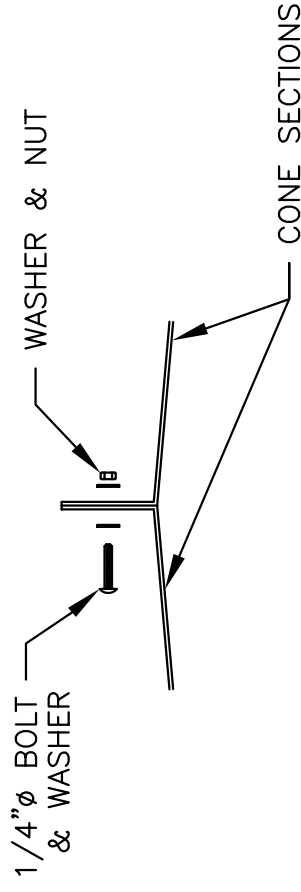
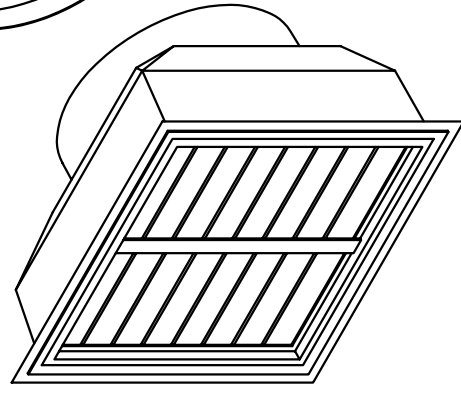
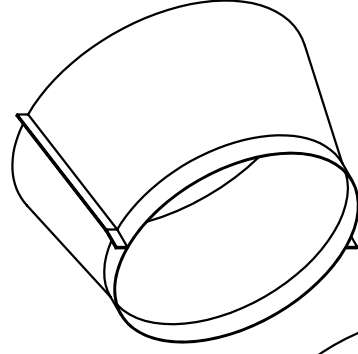
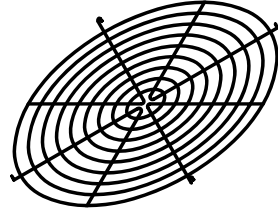


FIG. #1

ROUGH OPENING

PMC-36" WALL FAN - 44 1/2" X 44 1/2"
PMC-48" WALL FAN - 55 1/2" X 55 1/2"
PMC-50" WALL FAN - 56" W X 58" H

INSTALLATION INSTRUCTIONS
FOR THE PMC-36", PMC-48" & PMC-50" FANS

CAULK THE PERIMETER OF THE FAN HOUSING (SEE FIGURE #3) BEFORE INSTALLING INTO THE PREPARED OPENING TO ENSURE WEATHER TIGHTNESS. INSTALL THE FAN HOUSING FROM THE INSIDE OF THE BUILDING (FIG. #3) AND HOLD TIGHT TO THE TOP OF THE PREPARED OPENING BEFORE FASTENING INTO PLACE WITH #10 X 1 1/2" HEX HEAD SCREWS RUNNING THROUGH THE SHUTTER CLIPS AND INTO THE PREDRILLED HOLES IN THE HOUSING FLANGE. FASTEN THE HOUSING IN PLACE ACROSS THE TOP FIRST, THEN THE SIDES, LEAVING THE BOTTOM FOR LAST. DO NOT FORCE THE HOUSING INTO AN UNDERSIZED OPENING.

DRAWING REVISIONS

REV.:	BY:	DATE:	DESCRIPTION OF CHANGE	ECO NUMBER:
"A"	JMH	10/22/02	UPDATE DRAWING TO INCLUDE 50" FAN	N/A
"B"	JMH	12/30/02	UPDATE INSTRUCTIONS WITH CURRENT CONE & SCREEN DESIGNS	N/A
"C"	JMH	03/18/05	CHANGE INSTALL INSTRUCTIONS TO FOLLOW SHUTTER CUP CHANGES	N/A

DATE: 06/17/98	RAYDOT LLC
DRAWN BY: JMH	36", 48" & 50" POWER MISER SERIES FANS
ENGR:	FIBERGLASS CONE ASSY & INSTALL. INSTRUCTIONS
APPROVED:	NONE
DWG. # 13126-A-98	SCALE: NONE
SHEET 1 OF 1	IS1002-A

RAYDOT LLC
Success Is In The Air
146 JACKSON AVE. SO., COVATO, MN. 55321
NEW DRAWING NUMBER