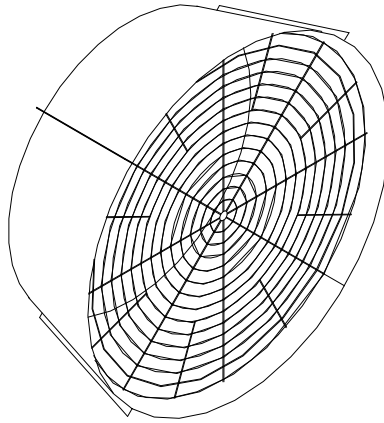


Read carefully the information provided. Retain manual for future reference.

# Raydot Galvanized Sheet Metal Fan Cone



**RAY•DOT**  
LLC

**VALAIR™**



## **IMPORTANT!**

This merchandise left our premises in prime condition. After unpacking the product, carefully inspect the product for any damage that may have occurred during transit. Check for loose, missing or damaged parts. On all product that sold F.O.B. Cokato, Minnesota, the title passes to the consignee upon receipt of the shipment by the carrier and ends our responsibility. Claims for loss or damage to the contents should immediately be filed with the carrier by the consignee as follows:

### **CONCEALED LOSS OR DAMAGE**

Concealed loss or damage means loss or damage which does not become apparent until the merchandise has been unpacked. The contents may be damaged in transit due to rough handling, even though the carton may not show external damage. When the damage is discovered upon unpacking, make a written request for inspection by the carrier's agent immediately on date of delivery. Then file a claim with the carrier since such damage is the carrier's responsibility. By following these instructions carefully, we guarantee our full support of your claims to protect you against loss from

### **VISIBLE LOSS OR DAMAGE**

Any external evidence of loss or damage must be noted on the freight bill, express receipt or delivery receipts in the case of UPS shipments, and signed by the carrier's agent. Failure to adequately describe such external evidence of loss or damage may result in the carrier refusing to honor a damage claim. The form required in filing a claim will be supplied by the carrier.

### **Save Carton and Wrapping for Carrier Inspection**

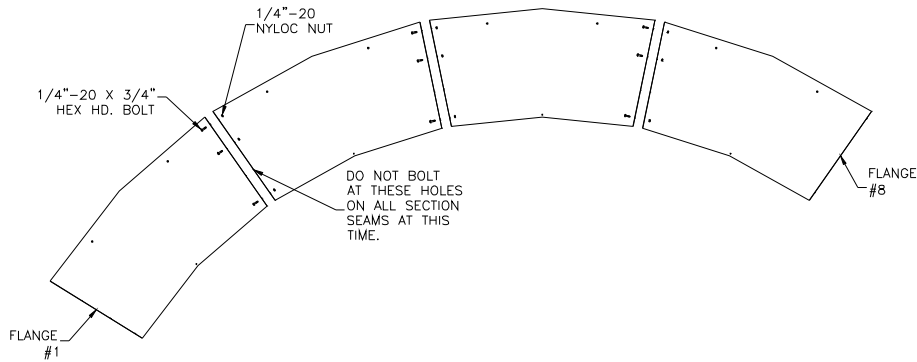
**DO NOT RETURN DAMAGED MERCHANDISE TO RAYDOT**

**FILE YOUR CLAIM AS STATED ABOVE**

## ASSEMBLY

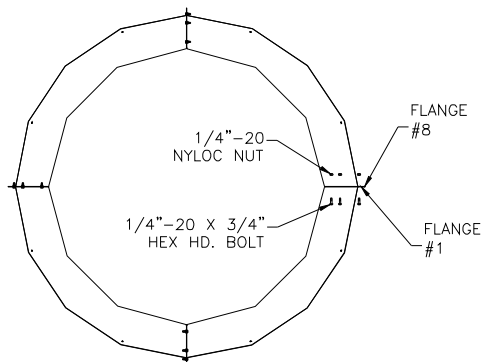
### Step #1.

Assemble the four cone sections together using three 1/4"-20 x 3/4" bolts & nyloc nuts per seam. Do not install the second bolt from the narrowest end of the cone as it will be installed in Step #4 (Refer to drawing below).



### Step #2.

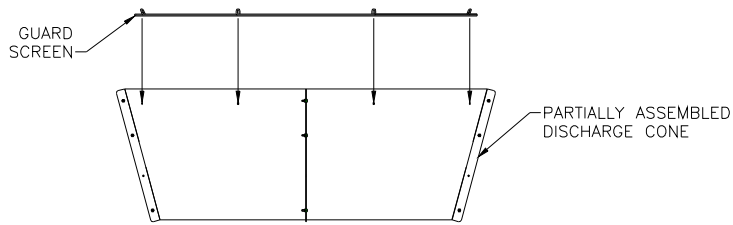
Form the flat cone sections into a cone by joining flange #1 & flange #8 (refer to drawing above) and using three 1/4"-20 x 3/4" bolts & nyloc nuts, bolt the two flanges together. As in Step #1 do not install the second bolt from the narrow end (Refer to drawing below).



END VIEW  
(FROM SMALL END OF CONE)

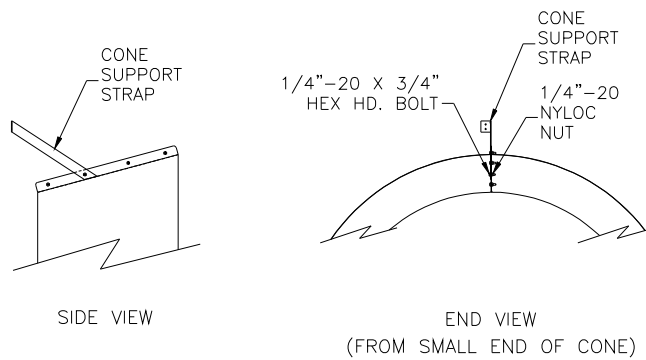
Step #3.

With the formed cone on a flat surface (large diameter up) place the guard screen into the cone (bolt loops up). Align the bolt loops on the guard screen with the bolt holes in the cone and fasten the guard screen in place using 1/4"-20 x 3/4" bolts w/ washers & nyloc nuts with the bolt heads and washers against the guard screen and the nyloc nuts on the outside of the cone assembly. Ensure that the bolt loops on the guard screen are all the way onto the bolts prior to tightening the bolts fully.



Step #4.

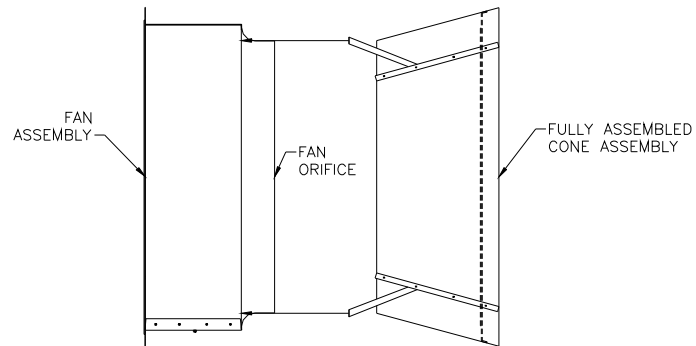
Fasten the cone straps to the cone using 1/4"-20 x 3/4" bolts & nyloc nuts. The straps fasten to the cone at the second hole from the narrow end (the holes that were left empty in steps 1 & 2).



Step #5.

The assembled fan **must** be installed in the wall prior to mounting the cone to the fan.

Slide the narrow end of the cone onto the fan orifice and rotate the cone to align the holes on the cone support straps to the holes on the face of the fan orifice. Fasten the cone support straps to the orifice using two #10 x 1/2" square drive pan head screws per strap. It is recommended to fasten the top two straps first.



**Limited Warranty:**

Raydot/Valair warrants the Galvanized Sheet Metal Fan to be free from defect in material and workmanship for a period of 12 months, (1year) from date of installation. Raydot/Valair will, at its option, (a) repair or replace such Product effecting all necessary parts replacements without charge, F.O.B. Cokato, Mn. or (b) refund to the original purchaser the original invoice price, in lieu of such repair or replacement. Under no circumstances will Raydot be liable for any kind of direct, incidental or consequential damages, nor will the liability ever exceed the purchase price of the Product.

**Conditions:**

1. Product must be installed, operated and maintained according to factory recommendations.
2. The Product must not have been previously altered, modified, improperly installed or repaired by anyone other than Raydot authorized dealer or certified representative.
3. This Warranty does not cover Product that has been damaged resulting from, but not limited to, negligent use, improper shipping or handling, misuse, alteration, lack of maintenance, accident, storage or installation other than published instructions. The opinion of Raydot with respect to these matters shall be final.
4. Raydot reserves the right to make design or specification changes at any time without notice and without any contingent obligation to purchasers or products already sold.
5. This Warranty is extended to the original purchaser and is not transferable or assignable.
6. Warranty will be void if serial numbers or identifying markings are altered, defaced or removed.
7. No Product will be accepted for return until a Return Materials Authorization (RMA) number and/or a form has been issued.

**What is Not Covered:**

The following are not covered by this warranty:

1. All labor, travel, supplies, freight and related expenses required to repair or replace the defective Product.
2. Damage, deterioration, corrosion, or malfunction resulting from, but not limited to: accident, misuse, abuse, neglect, fire, water, lightning or other acts of nature, improper storage, unauthorized product repair or modification, damage in shipment, removal or installation of product, or any other cause not related to a product defect.
3. Cartons, batteries, and other accessories used in connection with product.
4. Any Product not distributed and/or installed in the U.S.A.

**How to Obtain Warranty Service:**

Contact Valco Customer Service Department: Telephone (800) 998-2526

**Limitation of Damages and Implied Warranties:**

RAYDOT/VALAIR'S SOLE LIABILITY FOR ANY DEFECTIVE PRODUCT IS LIMITED TO THE REPAIR OR REPLACEMENT OF THE PRODUCT, AT RAYDOT'S OPTION. RAYDOT SHALL NOT BE LIABLE FOR:

1. DAMAGE TO OTHER PROPERTY CAUSED BY ANY DEFECTS IN THIS PRODUCT, DAMAGES BASED UPON CONVENIENCE, LOSS OF THE PRODUCT, LOSS OF TIME OR DATA, OR COMERCIAL LOSS.
  2. ANY OTHER DAMAGES, WHETHER DIRECT, INCIDENTAL, CONSEQUENTIAL, OR OTHERWISE.
- THIS WARRANTY IS EXCLUSIVE AND IS IN LIEU OF ALL OTHER WARRANTIES, EXPRESS OR IMPLIED, INCLUDING, BUT NOT LIMITED TO, THE IMPLIED WARRANTIES OF MERCHANTABILITY OF FITNESS FOR A PARTICULAR PURPOSE. SOME STATES DO NOT ALLOW THE EXCLUSION OF IMPLIED WARRANTIES OR THE LIMITATION OR EXCLUSION OF LIABILITY FOR INCIDENTAL OR CONSEQUENTIAL DAMAGES. THEREFORE, THE ABOVE EXCLUSIONS OR LIMITATIONS MAY NOT APPLY TO YOU. THIS WARRANTY GIVES YOU SPECIFIC LEGAL RIGHTS, AND YOU MAY ALSO HAVE OTHER RIGHTS, WHICH VARY, FROM STATE TO STATE.

**INQUIRIES**



*Raydot & ValAir are Divisions of VALCO Companies*  
 P.O. Box 117  
 210 E. Main Street  
 Coldwater, OH 45828