

INSTALLATION INSTRUCTIONS
FOR 12", 16", 21", 24" & 24" FANS

CAULK THE PERIMETER OF THE FAN HOUSING (SEE FIGURE #1) BEFORE INSTALLING INTO THE PREPARED OPENING TO ENSURE WEATHER TIGHTNESS. INSTALL THE FAN HOUSING FROM THE INSIDE OF THE BUILDING (FIG. #1) AND HOLD TIGHT TO THE TOP OF THE PREPARED OPENING BEFORE FASTENING INTO PLACE WITH 1/4"Ø X 1 1/2" LAG SCREWS. PRE-DRILL A 5/32"Ø HOLE PRIOR TO INSTALLING LAG SCREWS. FASTEN HOUSING IN PLACE ACROSS THE TOP FIRST, THEN THE SIDES, LEAVING THE BOTTOM FOR LAST. DO NOT FORCE THE HOUSING INTO AN UNDERSIZED OPENING.

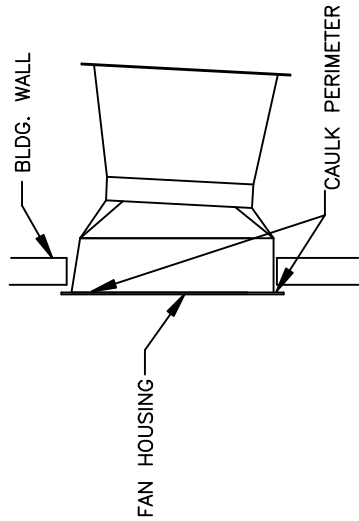
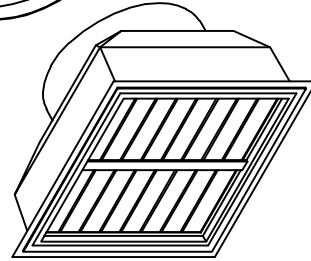
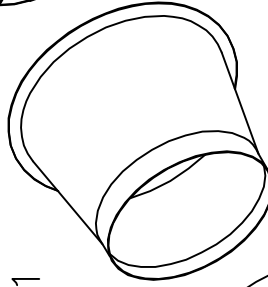
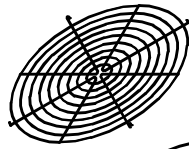


FIG. #1



ROUGH OPENINGS

- PMC-12 WALL FAN - 18 1/2" X 18 1/2" (8 LAG SCREWS)
- PMC-16 WALL FAN - 23" X 23" (8 LAG SCREWS)
- PMC-21 WALL FAN - 26 1/2" X 26 1/2" (8 LAG SCREWS)
- PMC-24 WALL FAN - 29" X 29" (8 LAG SCREWS)

DRAWING REVISIONS

REV. BY:	DATE:	DESCRIPTION OF CHANGE	ECD NUMBER:
A	KRP061798	UPDATE INSTRUCTIONS FOR THE ASSEMBLY OF FAN TO THE CURB	N/A
B	JMH122602	UPDATE INSTRUCTIONS PER BOLT ON GUARD SCREENS	N/A

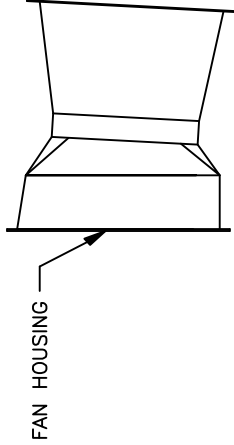


FIG. #2

ASSEMBLY INSTRUCTIONS FOR GUARD SCREEN AND POLY CONE FOR 12", 16", 21", & 24" FANS

ATTACH THE CONE TO THE FAN HOUSING AFTER THE HOUSING HAS BEEN CAULKED, SEALED, TRIMMED AND FASTENED INTO PLACE. SLIDE THE CONE ONTO THE HOUSING ORIFICE AND ALIGN THE PRE-DRILLED HOLE IN THE HOUSING WITH THE HOLE IN THE CONE. INSERT A 1/4"Ø-20 WAFER HEAD BOLT FROM THE INSIDE OUTWARD AND FASTEN IN PLACE WITH NUT AND FENDER WASHER TO SUPPORT THE CONE. DRILL THE REMAINING HOLES IN THE CONE THROUGH THE HOLES IN THE FAN HOUSING ORIFICE USING A 1/4" DRILL BIT. INSERT 1/4"Ø-20 WAFER HEAD BOLTS THROUGH THE REMAINING HOLES FROM THE INSIDE OUTWARD AND SECURE WITH NUTS AND FENDER WASHERS. ENSURE THAT THE BOLT HEADS DO NOT INTERFERE WITH THE FAN BLADES ROTATION. INSTALL THE PIN MOUNT GUARD SCREEN INTO THE CONE ALIGNING THE PINS WITH THE PREDRILLED CONE HOLES AND SNAP INTO PLACE. INSTALL THE SHUTTER INTO THE FAN HOUSING AND SECURE IN PLACE WITH THE SHUTTER CLIPS.

RAYDOT LTD	Success In Air Flow
110596	RAYDOT POWER MISER
110596	SERIES FANS
PMC-12, PMC-16	
PMC-21 & PMC-24	
ASSEMBLY & INSTALLATION INSTRUCTIONS	
1389-3D-96	None
1 of 1	IS10002