



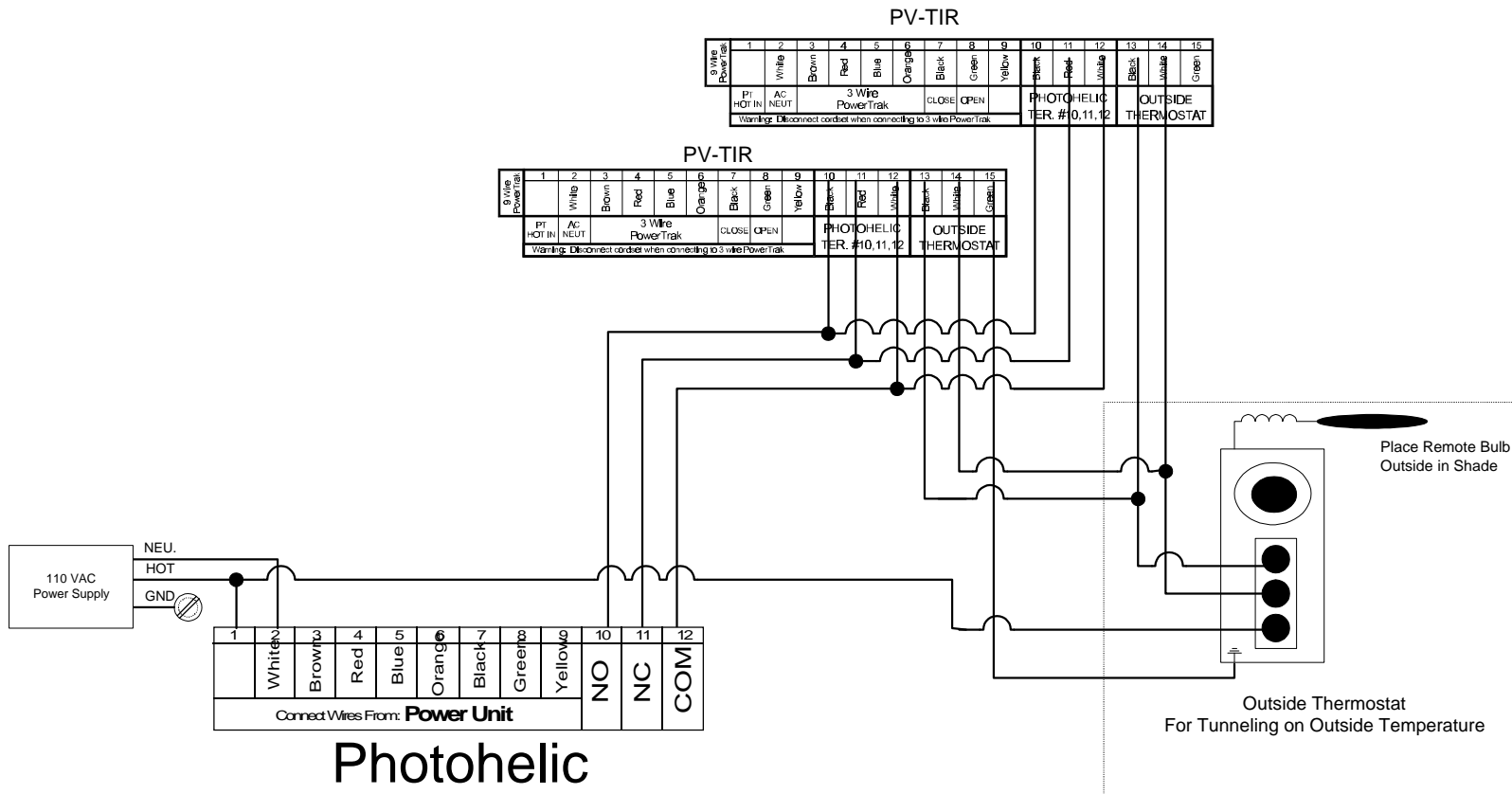
HIRED-HAND®

PV-TIR Wiring Manual

**Hired-Hand, Inc.
PO Box 99
Bremen, AI 35033**

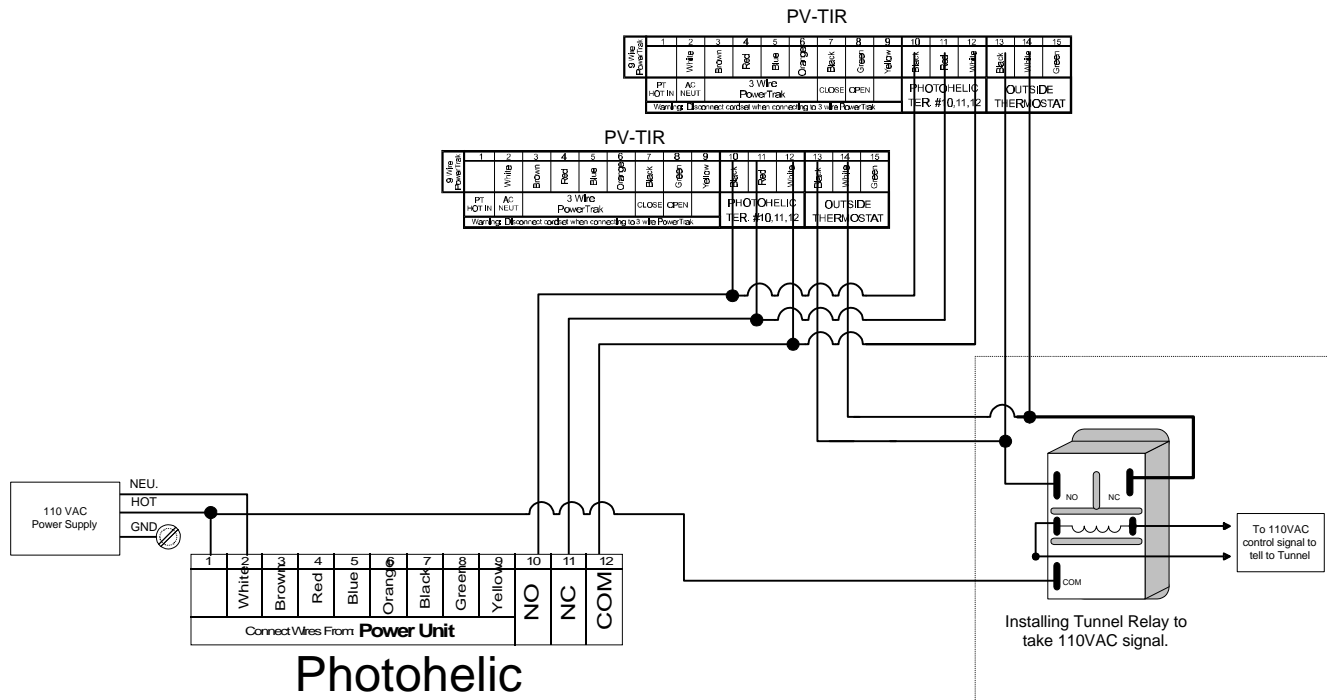
Photohelic to Two PV-TIR with Outside Sensor

Controllers™



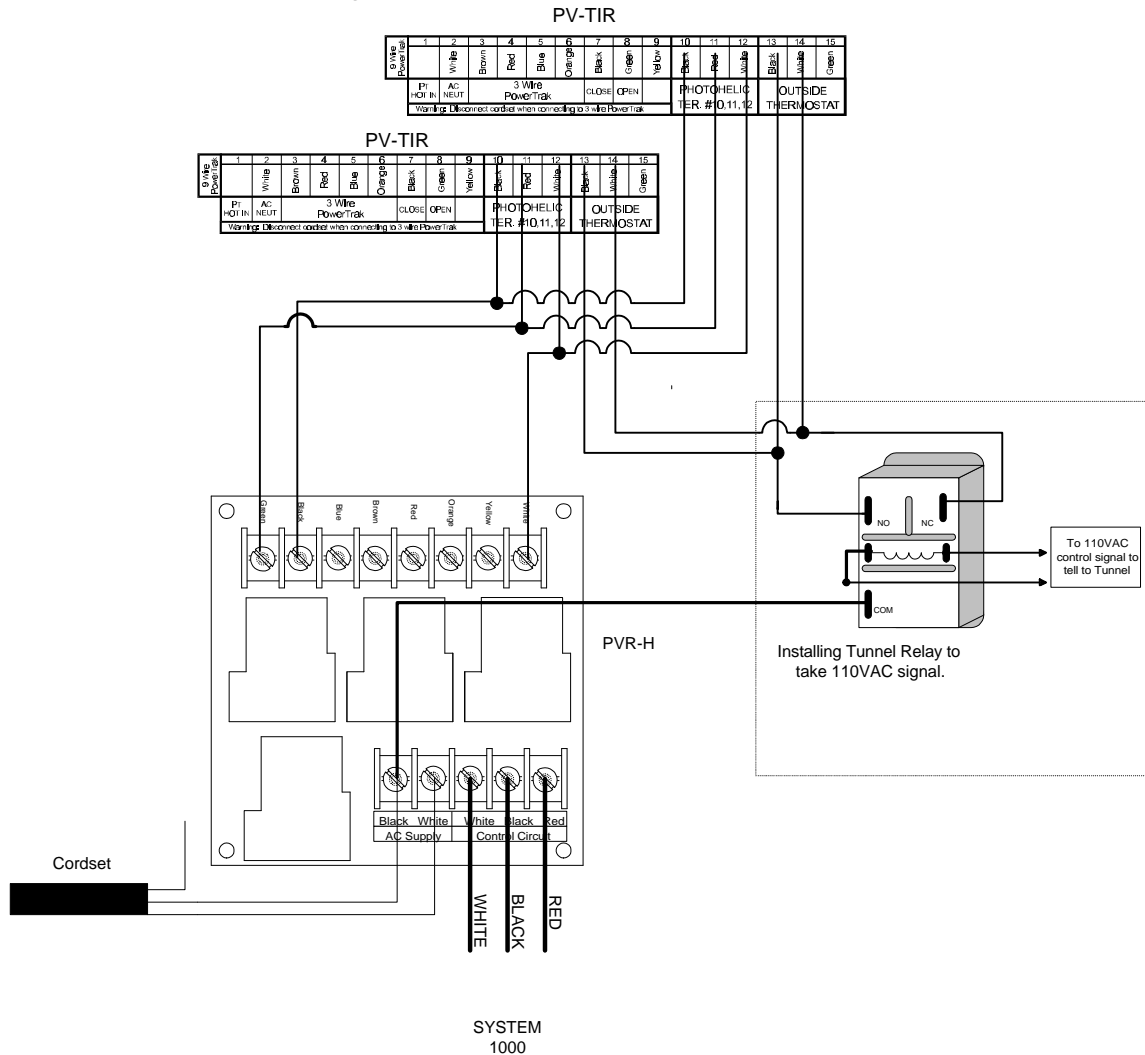
Photohelic to Two PV-TIR with Relay Tunneling on a stage

Controllers



Note : If using 240VAC signal for tunnel use 240VAC relay instead of 120VAC relay.

Connecting two PV-TIR to a System 1000 and Tunnel Control



Purpose

To run Curtain Machine as a tunnel machine and/or run off a System 1000 Power Vent

Directions

1. Connect both PV-TIR to PVR-H as shown in diagram.
2. Connect Terminals 10 of PV-TIRs to the terminal labeled as BLACK on PVR-H.
3. Connect Terminals 11 of PV-TIRs to the terminal labeled as GREEN on PVR-H.
4. Connect Terminals 12 of PV-TIRs to the terminal labeled as WHITE on PVR-H.
5. Leave Cordset in PVR-H.
6. Install Relay to take tunnel signal as shown in diagram.
7. Tie Normally Open (NO) terminal of relay to Terminal 13 of PV-TIR.
8. Tie Normally Closed (NC) terminal of relay to Terminal 14 of PV-TIR.
9. Tie Common (COM) terminal of relay to the Black terminal of PVR-H were the cordset is attached.
10. Tie coil on relay to tunnel signal. (NOTE : Signal may be 240 VAC if using 240VAC Relay instead of 110VAC Relay.)

Electro-Mechanical Controllers

If you own a PC-OC, PC-SS, PC-D3, PC-DB, PC-LP, PC-OD, PV-TIR, or PC-PH. Your controller wiring diagram may not match the label inside the controller. The only thing different is the label. The internal wiring of these controllers did not change. Your controller will connect to either the 8 wire or the 3 wire PowerTrak. We have put instructions on the label to wire to either PowerTrak unit. The picture below is the label you will see for your terminal block.

If you have a 8 wire PowerTrak

Connect to the 9 positions (Ground wire included) labeled with colors.

If you are connecting to a 3 wire PowerTrak

Remove the cordset from the control and remove the fuse wire from the #1 terminal inside the controller. Connect the two units together using 5 wires. positions 1, 2, 7, 8 and GROUND. (*PT HOT IN connects to HOT OUT(PT), AC NEUT connects to NEUT(PT), CLOSE connects to CLOSE IN(PT), OPEN connects to OPEN IN(PT), connect ground from GROUND LUG of PowerTrak to metal plate inside control.*)

