



HIRED-HAND®

PT Controller

Curtain Actuator

**Hired Hand, Inc.
1733 Co Rd 68
PO Box 99
Bremen, AL 35033**

Table of Contents

1. Warnings.....	1
2. Limited Warranty	1
3. Physical Description	2
4. Use of Equipment	2
5. Installation	2
5.1 Tools Required.....	2
5.2 Instructions	2
6. Operation	3
6.1 Manual Control.....	3
6.2 Automatic Control	3
6.3 Internal Timer	3
7. Connection of Power Supply.....	3
8. Connection of Power Trak	4
9. Connection of RollSeal Tube Motor.....	4
10. Control Signals for Models with Timer.....	5
10.1 Connection of Thermostat.....	5
10.2 Connection to Stages for Control.....	5
11. PT Controller Internal Wiring Diagram.....	6
11.1 PT Controller 120 volt	6
11.2 PT Controller 240 volt	7

1. Warnings

Warning!

When this controller is used in a life support heating and ventilation system where failure could result in loss or injury, the user should provide adequate back-up, or accept the risk of such loss or injury!

Warning!

Wiring and connections must comply with all national and local electrical codes. Installation by qualified electrician required!

Warning!

Electrical shock may occur if the enclosure is opened with power connected to the unit. Before opening the enclosure, make sure that all power sources to the unit are disconnected!

2. Limited Warranty

All products are warranted to be free from defects in material and workmanship for a period of one year from the date of purchase if installed and used in strict accordance with the installation instructions. Liability is limited to the sale price of any products proved to be defective or, at manufacturers option, to the replacement of such products upon their return. No products are to be returned to the manufacturer, until there is an inspection and/or a return-goods authorization (RGA) number is issued.

All complaints should be directed first to the authorized distributor who sold the product. If satisfaction is not obtained or the name of the distributor is not known, write the manufacturer that appears below, directed to the attention of Customer Service Manager.

This limited warranty is expressly in lieu of any and all representations and warranties expressed or implied, including any implied warranty of merchantability or fitness for a particular purpose. The remedy set forth in this limited warranty shall be the exclusive remedy available to any person. No person has authority to bind the manufacturer to any representation or warranty other than this limited warranty. The manufacturer shall not be liable for any consequential damages resulting from the use of our products or caused by any defect, failure or malfunction of our products. (Some areas do not allow the exclusion or limitation of incidental or consequential damages, so the above limitation or exclusion may not apply to you.)

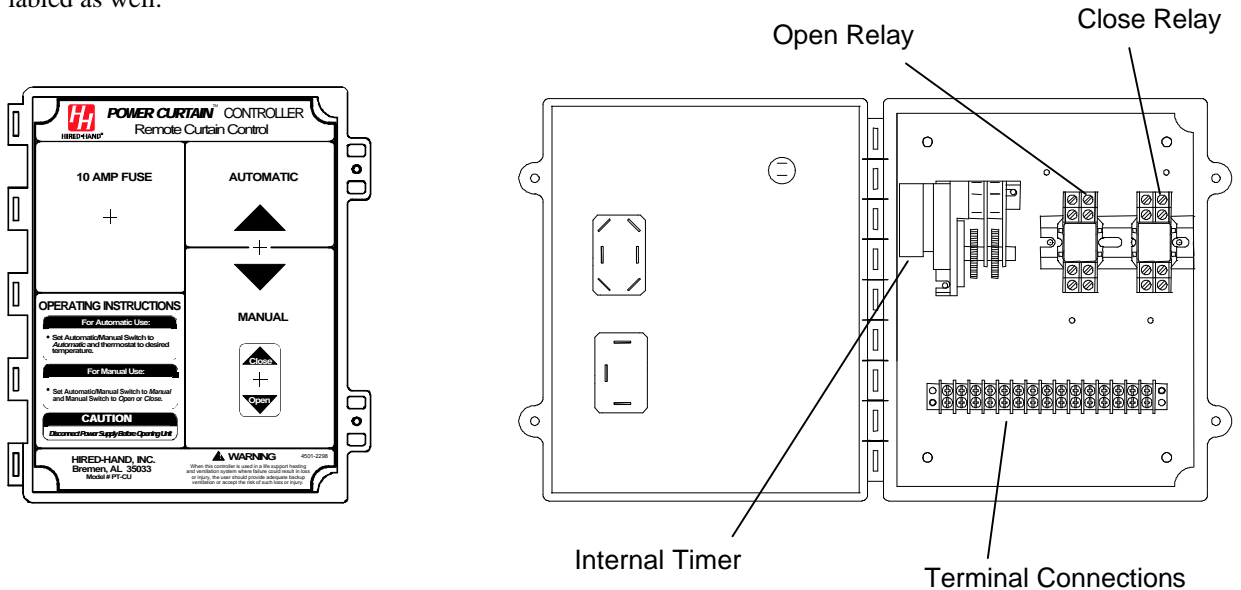
This warranty gives you specific legal rights and you may also have other rights that vary from area to area.

Warrantor:

Hired-Hand, Inc.
1733 Co. Rd. 68
PO Box 99
Bremen, AL 35033

3. Physical Description

The PT Controller is shown below both closed and with the door open. The major components are labeled as well.



4. Use of Equipment

This unit can be used to control one PowerTrak machine or two PowerTrak machines simultaneously. The controller has an option with or without internal timer. The timer allows you to set delays for curtain movement. This unit can also be used in conjunction with a timer or a stage controller.

Warning: There are two separate circuits which are capable of running one PowerTrak or RollSeal motor each. Do not connect more than one to either circuit.

5. Installation

5.1 Tools Required

Screw Driver Drill
Wire Strippers

5.2 Instructions

1. Mount unit to wall near power supply.
2. Connect power supply to controller using the wiring diagram shown in back of this manual. See Section 7.
3. Connect 3 wire PowerTrak to controller using the wiring diagram shown in back of this manual. See Section 8.
4. Various options of connections for thermostat, motors, and controllers are shown in the back of this manual.
5. When connections have been completed, close door and apply power.

6. Operation

6.1 Manual Control

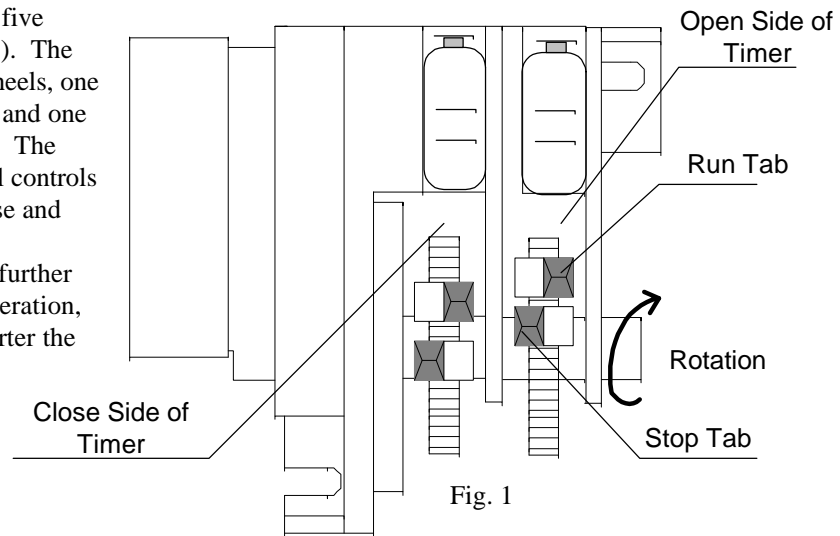
When the *Automatic/Manual* switch is in *Manual*, the controller will open and close the curtains or vents whenever the bottom switch is in its open or close position. The center position of the switch is the off position.

6.2 Automatic Control

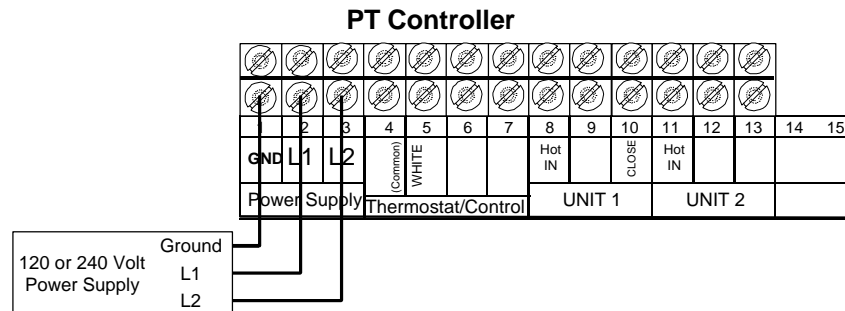
To place the PT Controller in automatic operation, select Automatic with the top toggle switch on the control box. The terminals (position 4, 5, 6, and 7 on the terminal strip) need to be connected before this operation will work. See wiring diagrams in the back of this manual.

6.3 Internal Timer

The internal timer is a five minute timer (see fig 1). The timer has two timer wheels, one for the close operation and one for the open operation. The two tabs on each wheel controls the duration of the close and open operation. When adjusting the tabs, the further apart the longer the operation, closer together the shorter the operation.



7. Connection of Power Supply

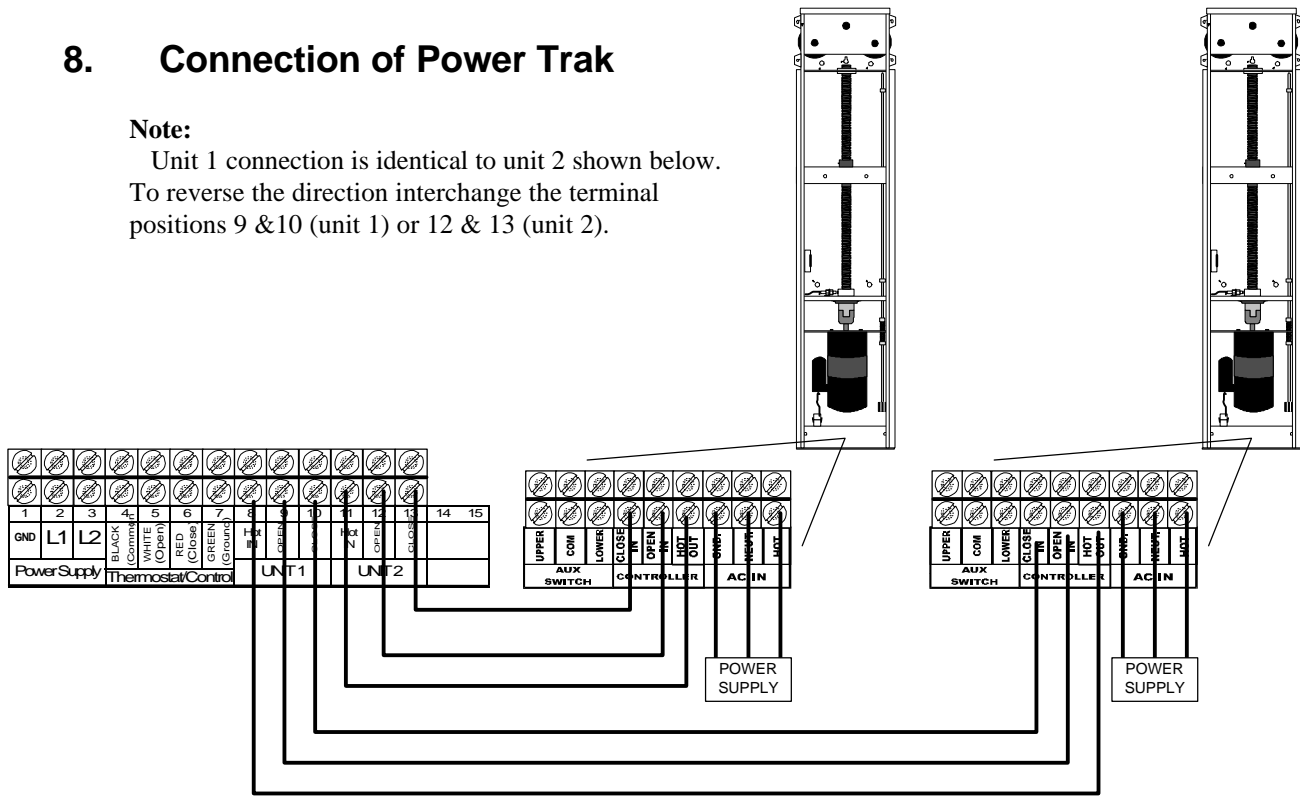


Important: Care must be taken to make sure that the appropriate voltage is connected to L1 and L2. For example, if your PT Controller is a 240VAC model make sure 240VAC is supplied.

8. Connection of Power Trak

Note:

Unit 1 connection is identical to unit 2 shown below.
 To reverse the direction interchange the terminal positions 9 & 10 (unit 1) or 12 & 13 (unit 2).

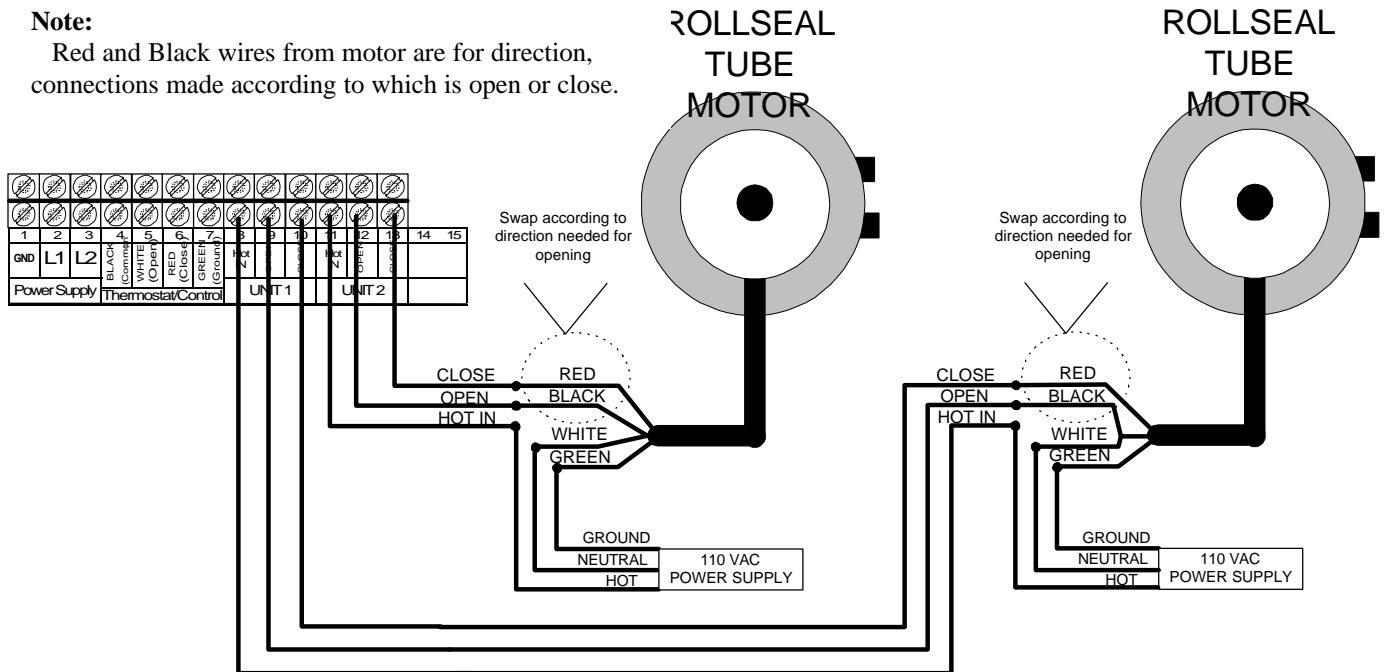


9. Connection of RollSeal Tube Motor

This diagram is for wiring RollSeal inlets to PT Controller.
 This can be for control or interface with another controller.

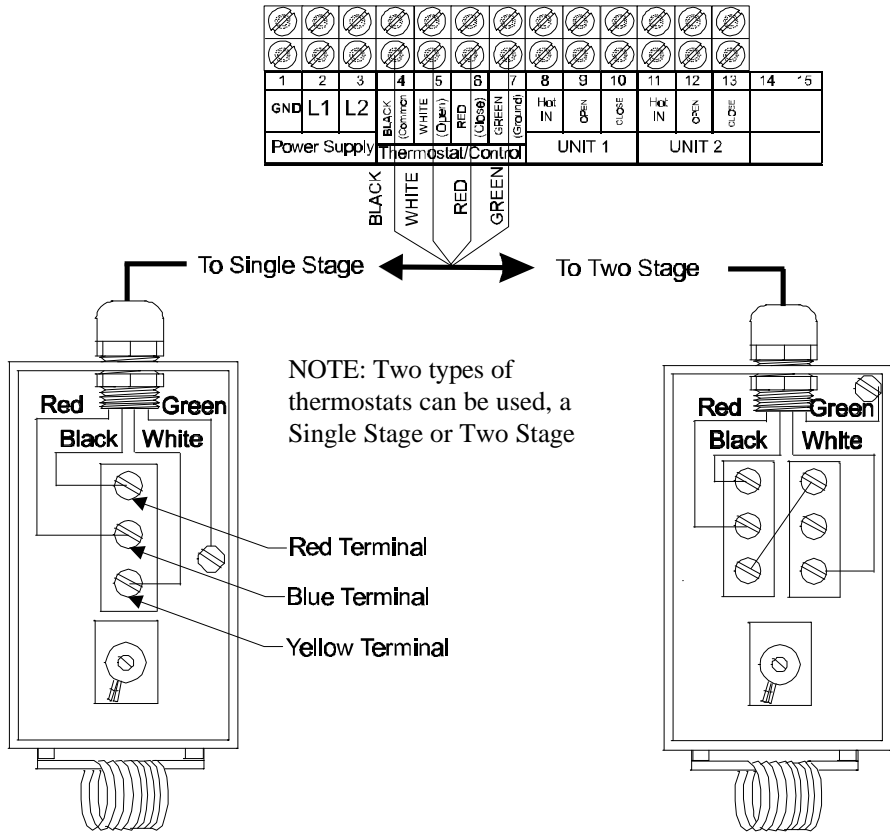
Note:

Red and Black wires from motor are for direction, connections made according to which is open or close.

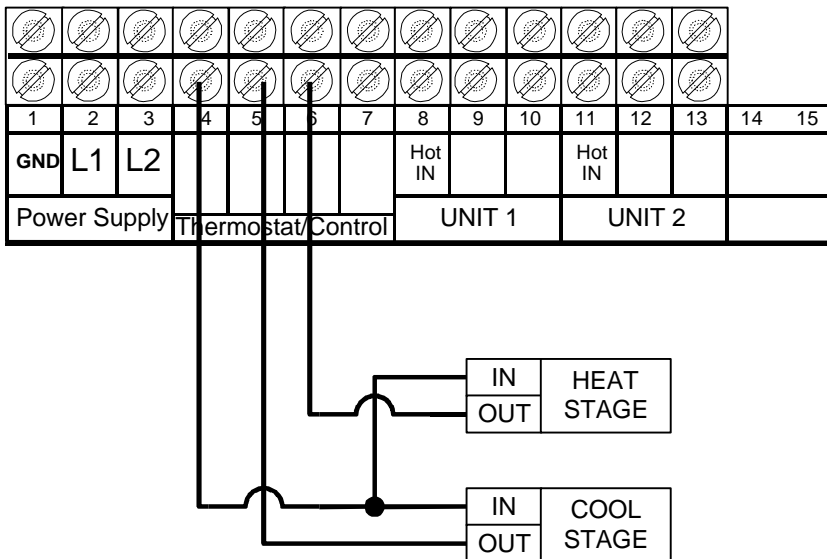


10. Control Signals for Models with Timer

10.1 Connection of Thermostat

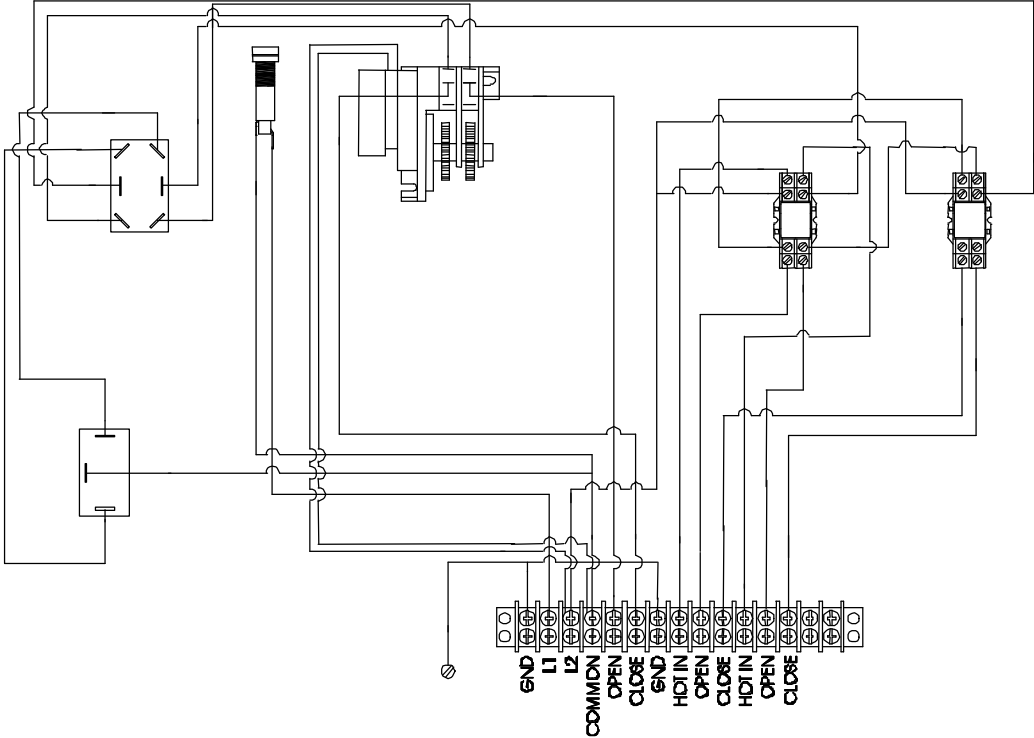


10.2 Connection to Stages for Control



11. PT Controller Internal Wiring Diagram

11.1 PT Controller 120 volt



11.2 PT Controller 240 volt

