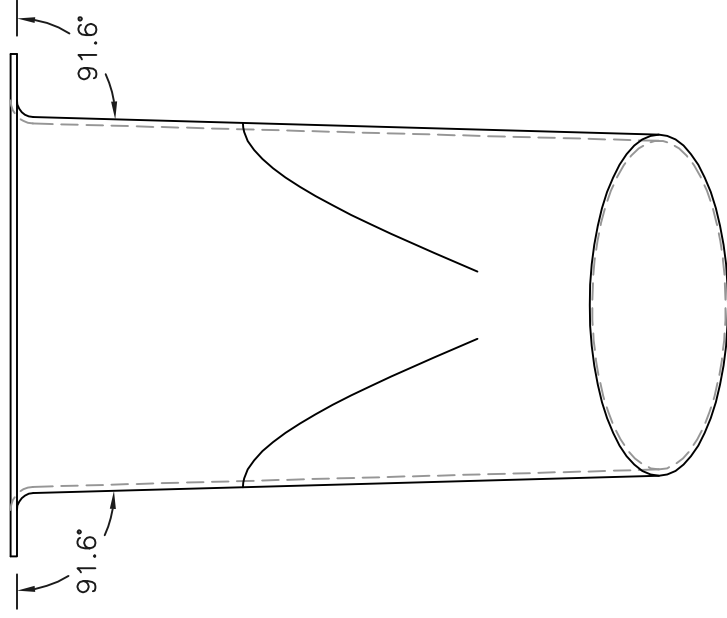
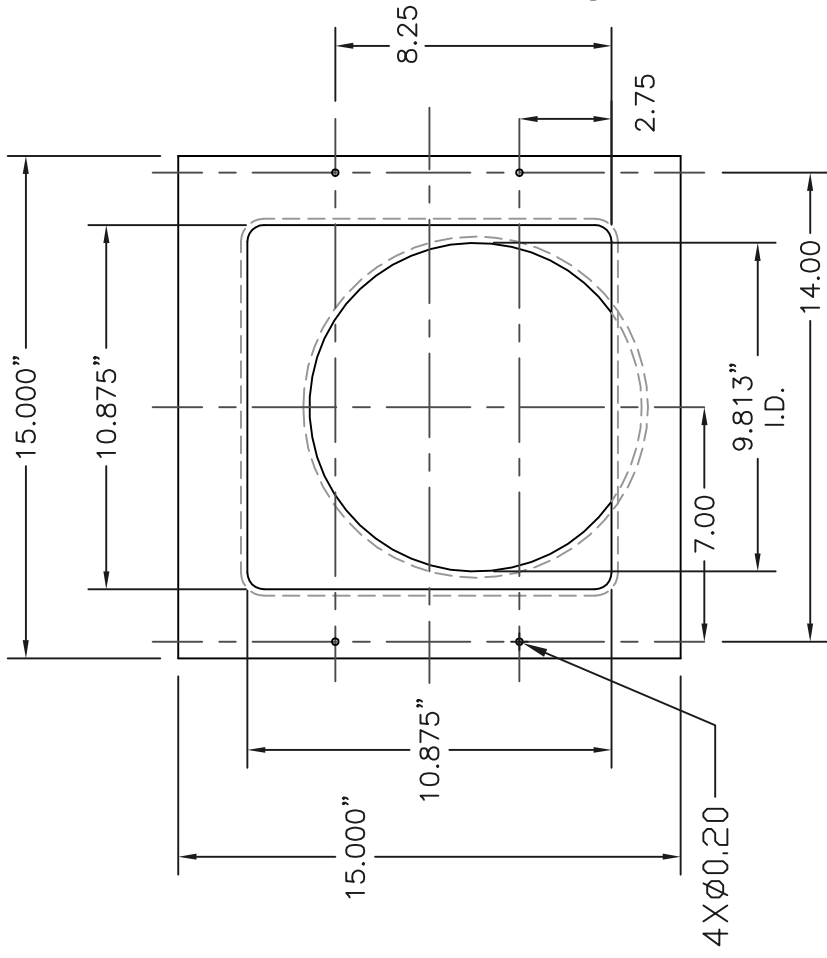
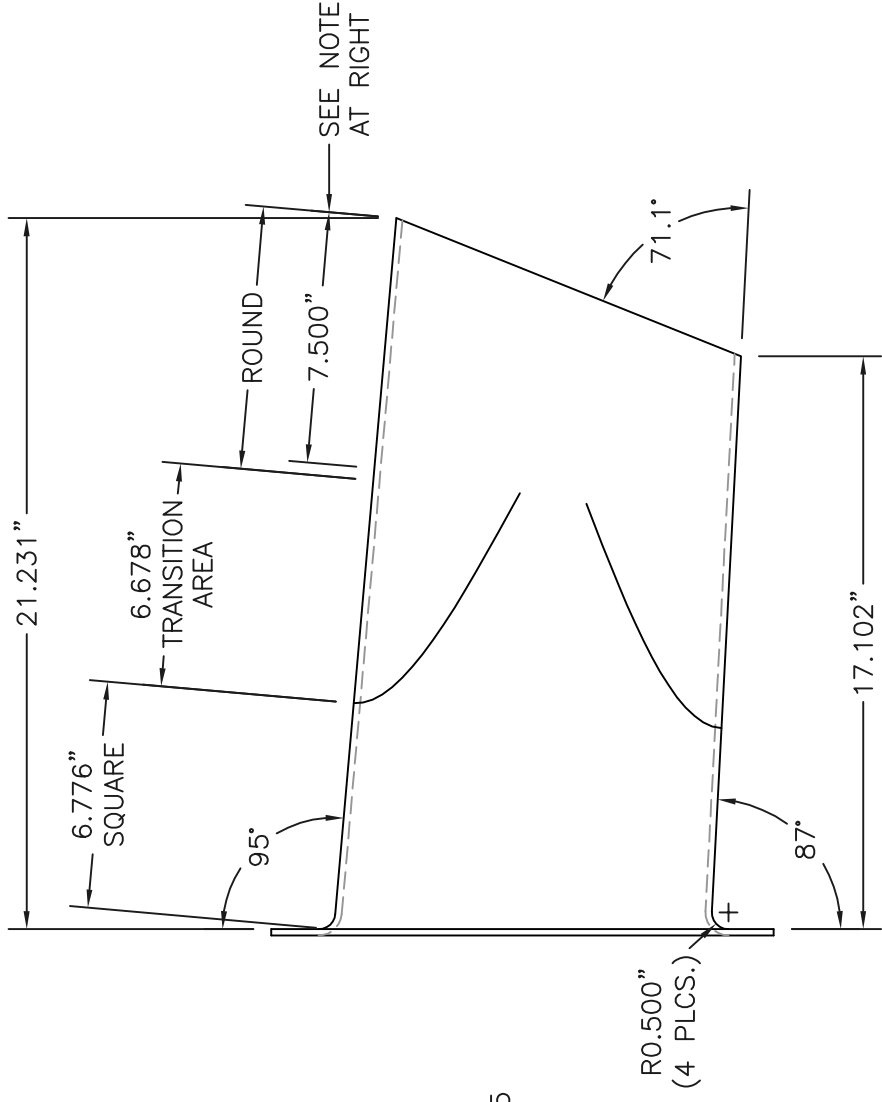


DRAWING REVISIONS

REV.:	BY:	DATE:	DESCRIPTION OF CHANGE	ECO NUMBER:
A	JFW081106		ADD HOLES FOR SHUTTER CLIPS 4X RA1151	



NOTE:

ALL INSIDE CORNERS SHALL HAVE A MINIMUM RADIUS OF .500" UNLESS OTHERWISE NOTED.

MATERIAL THICKNESS SHALL BE .1875".

ALL INSIDE SURFACES OF THE FAN HOUSING SHALL HAVE A WHITE SMOOTH GEL COAT FINISH.

ALL OUTSIDE SURFACES SHALL BE WHITE.

AT 7.5" FROM TOP OF ORIFICE THE INSIDE DIMENSION MUST BE A MINIMUM OF 10.375".

NOTE:

ALL DIMENSIONS SHOWN ARE FINAL INSIDE MEASUREMENTS. NO CONSIDERATIONS HAVE BEEN MADE TO ACCOUNT FOR MATERIAL OR CASTING SHRINKAGE.

TOLERANCES UNLESS OTHERWISE SPECIFIED		DATE:	FAN HOUSING FOR FW-1013 FAN	
FRACTIONS	± 1/32	123102		
DECIMALS	± .000	DRAWN BY: MBF		
INCH X .XX	± .020	ENGR:		
.XXX	± .010	APPROVED:		
ANGLES	± 0'30"	DWG:		
OLD DWG. #		NONE	DETAIL PART DRAWING	
		N/A	SCALE: NONE	SHEET 1 OF 1