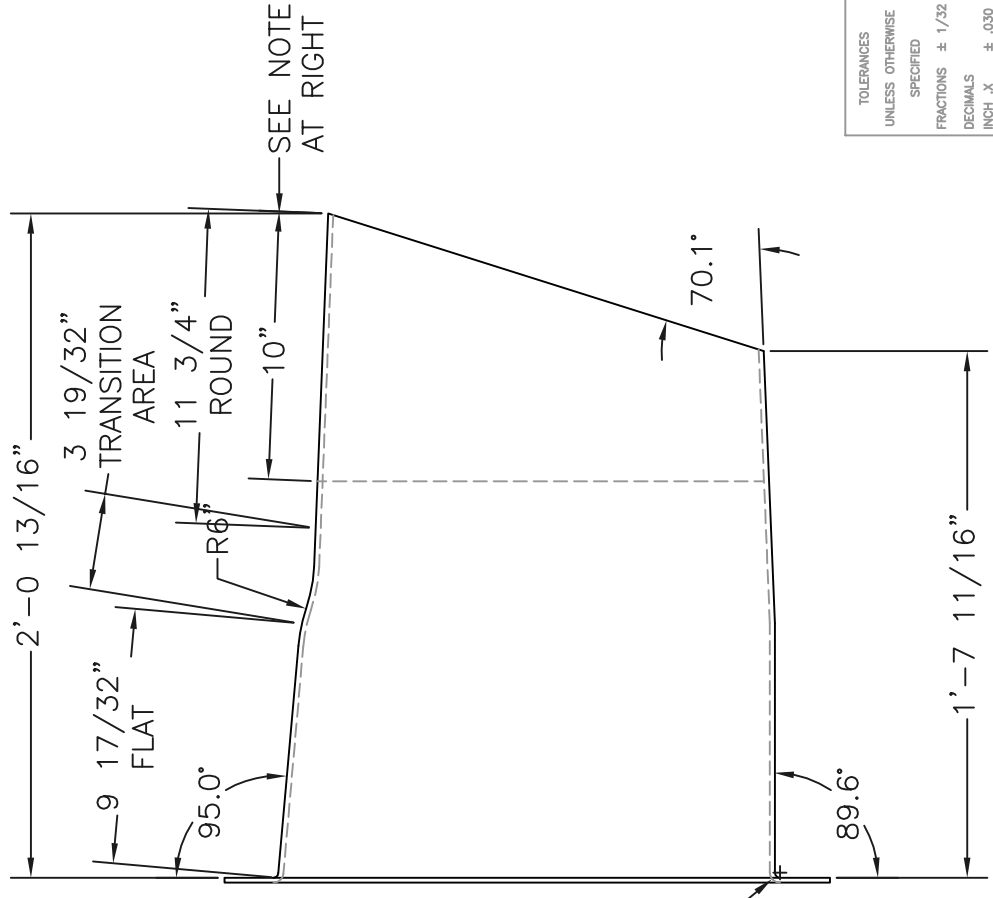
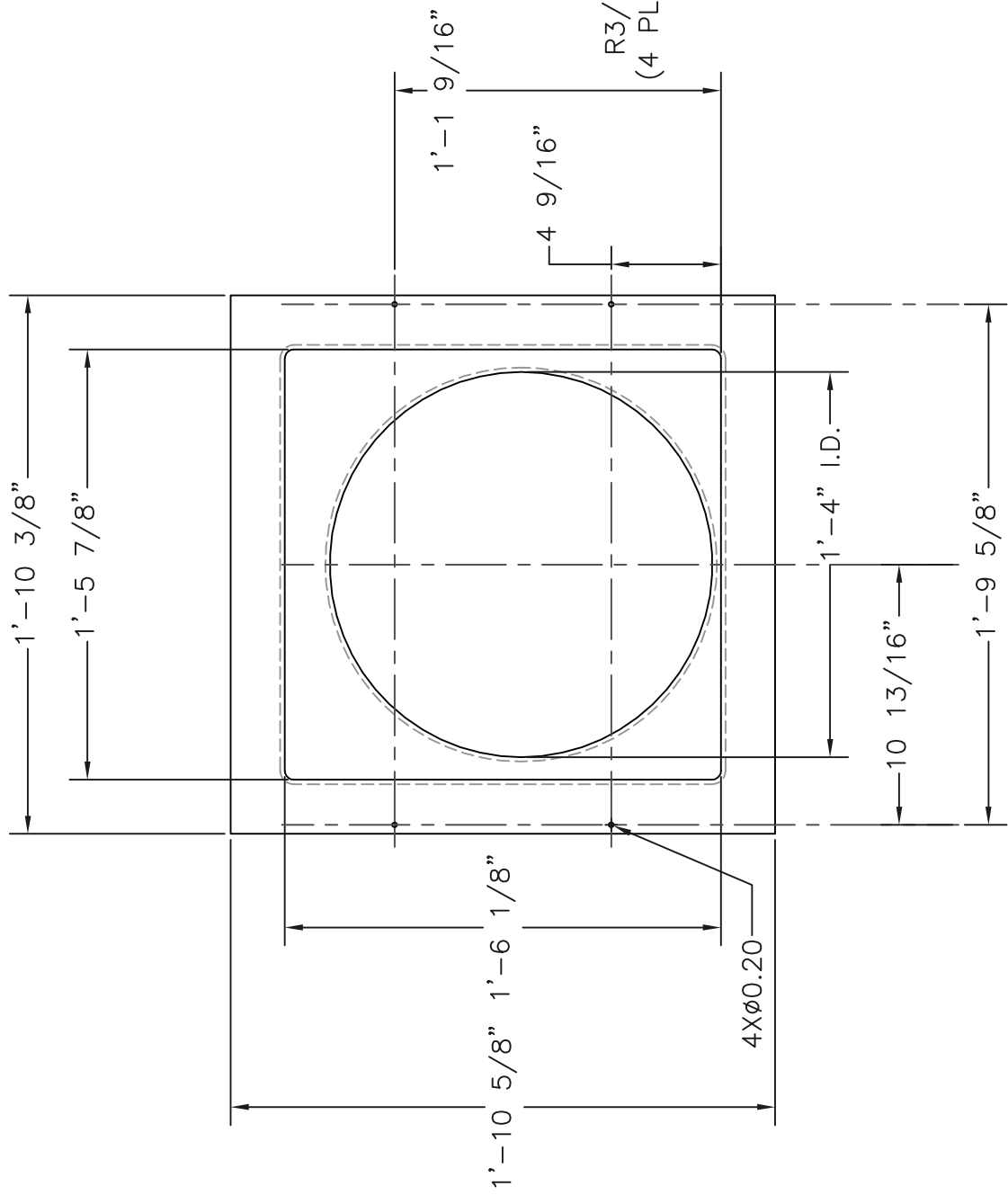
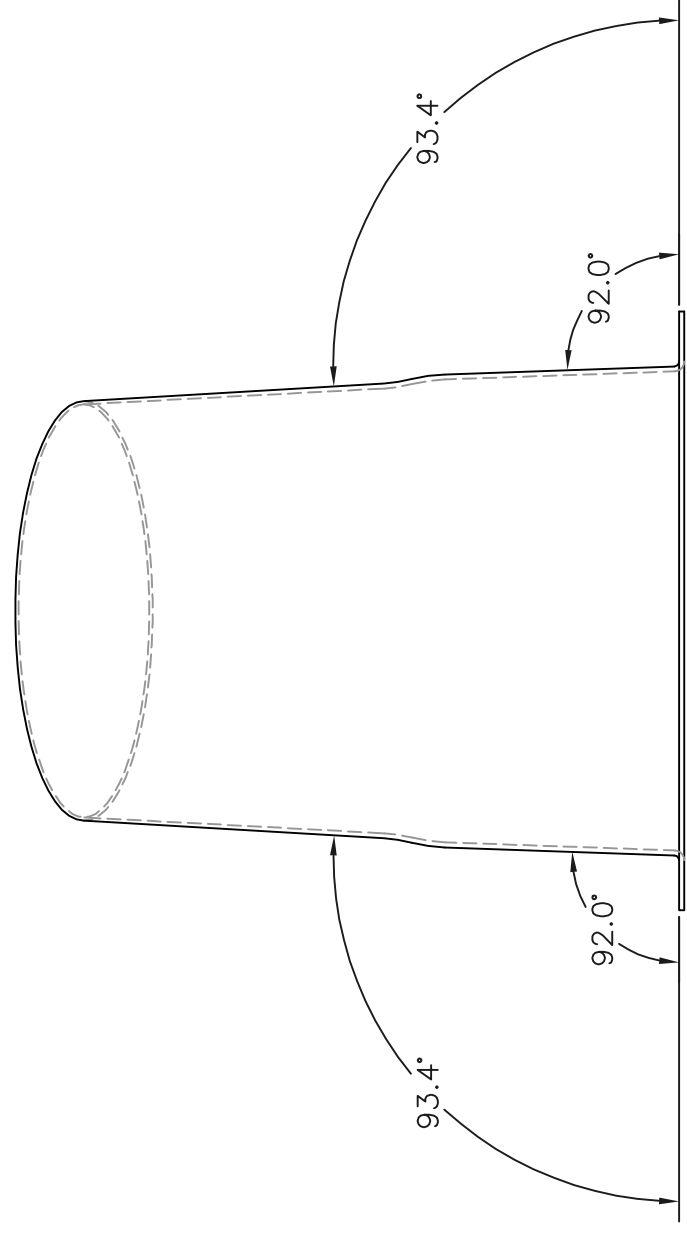


DRAWING REVISIONS

REV.:	BY:	DATE:	DESCRIPTION OF CHANGE	ECO NUMBER:
A	JFW	080806	ADDED HOLES FOR SHUTTER CLIP 4X	RA1147



NOTE:

ALL INSIDE CORNERS SHALL HAVE A MINIMUM RADIUS OF .375" UNLESS OTHERWISE NOTED.

MATERIAL THICKNESS SHALL BE .1875".

ALL INSIDE SURFACES OF THE FAN HOUSING SHALL HAVE A WHITE SMOOTH GEL COAT FINISH.

ALL OUTSIDE SURFACES SHALL BE WHITE.

AT 10" FROM TOP OF ORIFICE THE INSIDE DIMENSION MUST BE A MINIMUM OF 16.375".

NOTE:

ALL DIMENSIONS SHOWN ARE FINAL INSIDE MEASUREMENTS. NO CONSIDERATIONS HAVE BEEN MADE TO ACCOUNT FOR MATERIAL OR CASTING SHRINKAGE.

DATE: 080803	RAYDOT LLC	FAN HOUSING FOR FW-1628 FAN
DRAWN BY: JMH	Success Is In The Air	SCALE: NONE
ENGR:	145 JACKSON AVE. SO., COVINGTON, MN. 55321	SHEET 1 OF 1
APPROVED:	NEW DRAWING NUMBER	FP805C
DLR: NONE	DETAIL PART DRAWING	
OLD DWG. # N/A		

TOLERANCES UNLESS OTHERWISE SPECIFIED	FRACTIONS ± 1/32	DECIMALS INCH X .XX ± .000	XXX ± .010	ANGLES ± 0°30'	OLD DWG. #