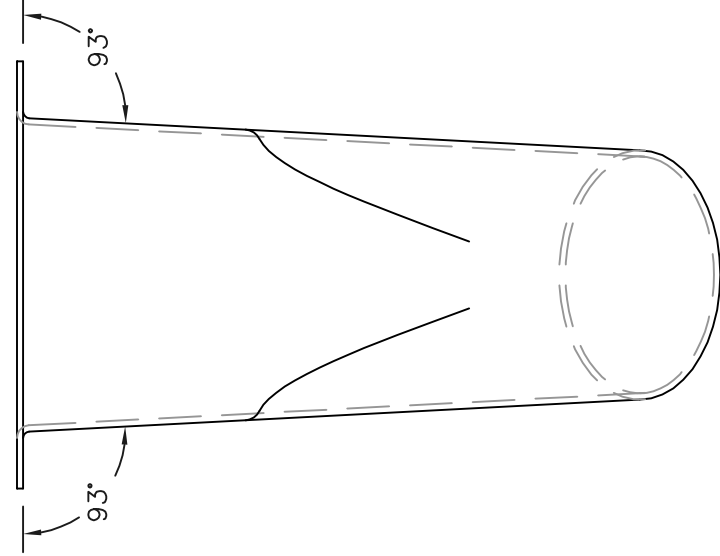
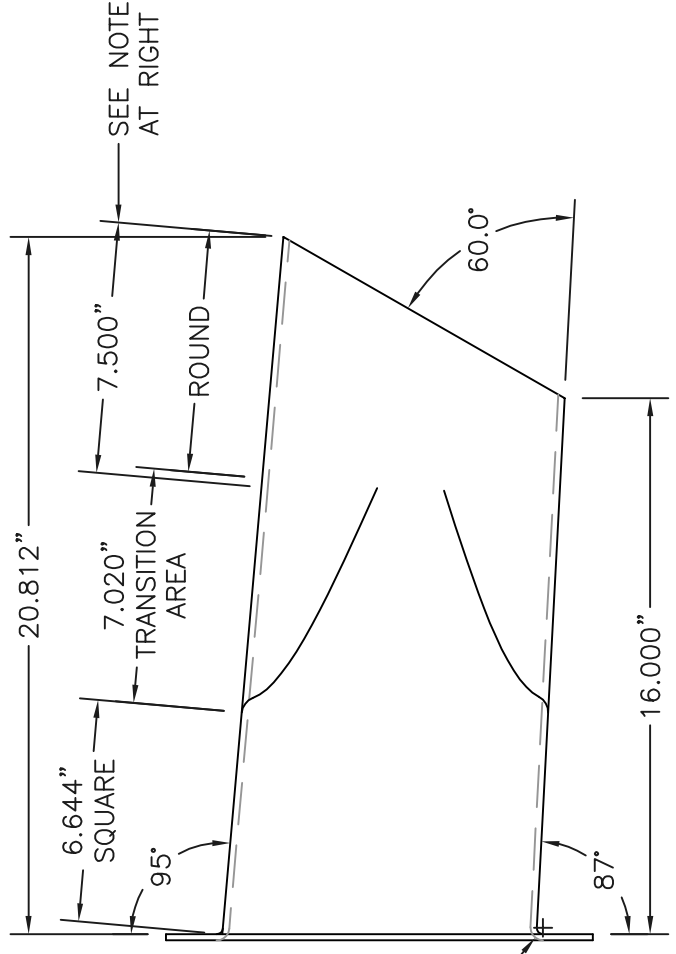
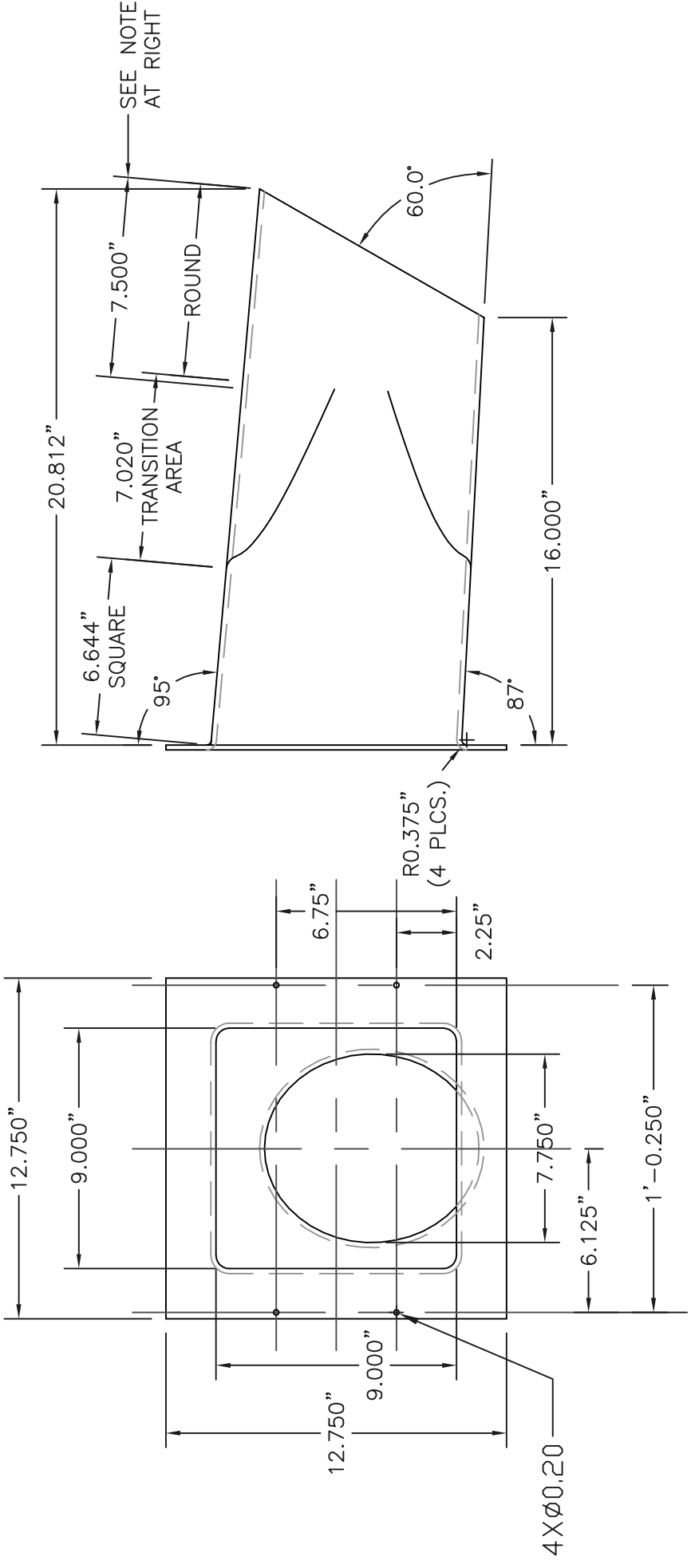


DRAWING REVISIONS

REV.:	BY:	DATE:	DESCRIPTION OF CHANGE	ECO NUMBER:
A	JFW	081106	ADDED HOLES FOR SHUTTER CLIPS 4X RA1151	



NOTE:

ALL INSIDE CORNERS SHALL HAVE A MINIMUM RADIUS OF .500" UNLESS OTHERWISE NOTED.

MATERIAL THICKNESS SHALL BE .1875".

ALL INSIDE SURFACES OF THE FAN HOUSING SHALL HAVE A WHITE SMOOTH GEL COAT FINISH.

ALL OUTSIDE SURFACES SHALL BE WHITE.

AT 7.5" FROM TOP OF ORIFICE THE INSIDE DIAMETER MUST BE A MINIMUM OF 8.5".

NOTE:

ALL DIMENSIONS SHOWN ARE FINAL INSIDE MEASUREMENTS. NO CONSIDERATIONS HAVE BEEN MADE TO ACCOUNT FOR MATERIAL OR CASTING SHRINKAGE.

TOLERANCES UNLESS OTHERWISE SPECIFIED	DATE: 123002	FAN HOUSING FOR FW-0805 FAN		RAYDOT LLC Success Is In The Air 145 JACKSON AVE. SO., COOKTO, MN. 55211 NEW DRAWING NUMBER FP805A
FRACTIONS ± 1/32	DRAWN BY: MBF	DATE: NONE	DETAIL PART DRAWING	
DECIMALS ± .030 INCH X .XX ± .020 .XXX ± .010	ENGR:	SCALE: NONE	SHEET 1 OF 1	
ANGLES ± 0'30"	APPROVED:			
OLD DWG. #	DWG. #			