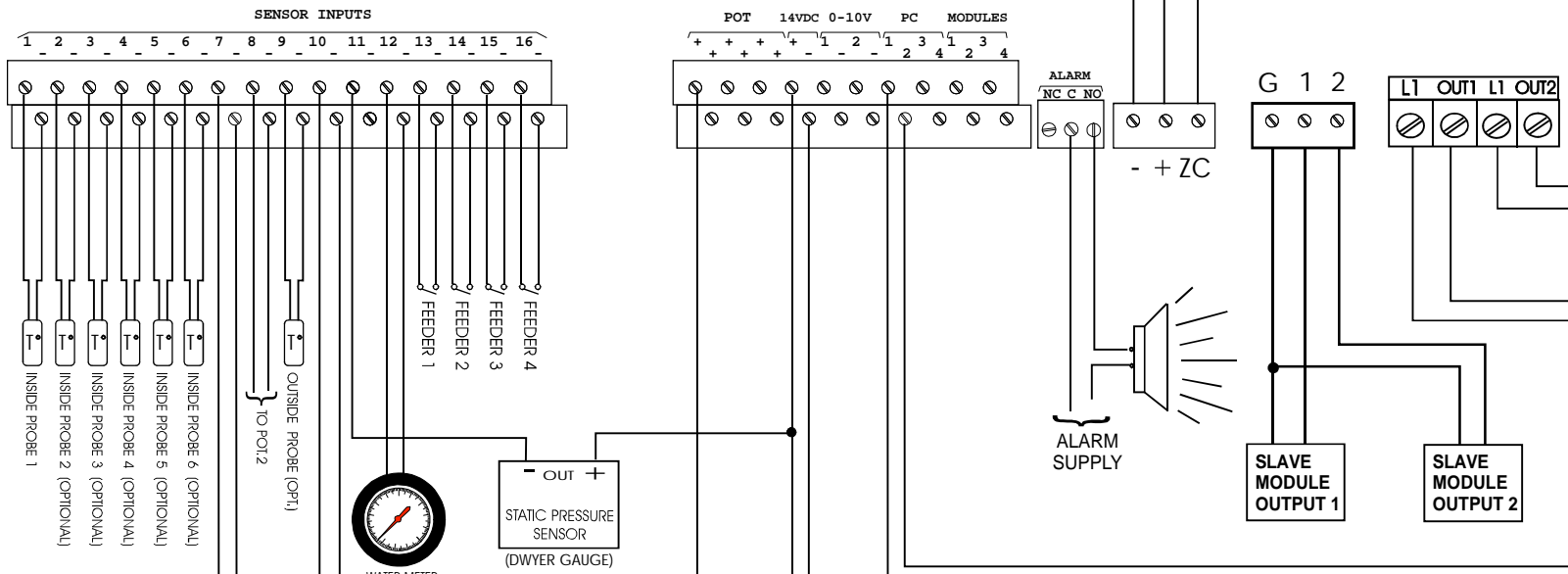


EXPERT-VT212

CONTROL POWER SUPPLY { L1, GND, L2 (N) }
85 to 250 VAC

CAUTION
THE CONTROL'S POWER SUPPLY MUST BE CONNECTED TO A **15A BREAKER**.

PC CONNECTION FOR COMMUNICATIONS BOARD- COMLINK-1 CARD

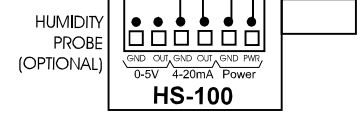
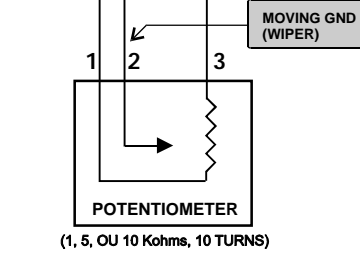


The water meter output should be a dry contact and should not pulse faster than 60 times a second (60 Hz).

A 22/12 AWG gauge cable no longer than 2000 feet (0.6 km) can be used to connect the water meter. Do not use a cable longer than 2000 feet even if a larger cable is used. **DO NOT RUN THE METER CABLE OUTSIDE THE BUILDING!!**

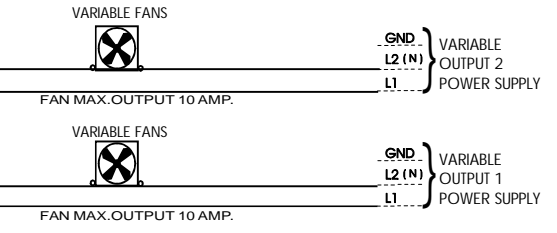
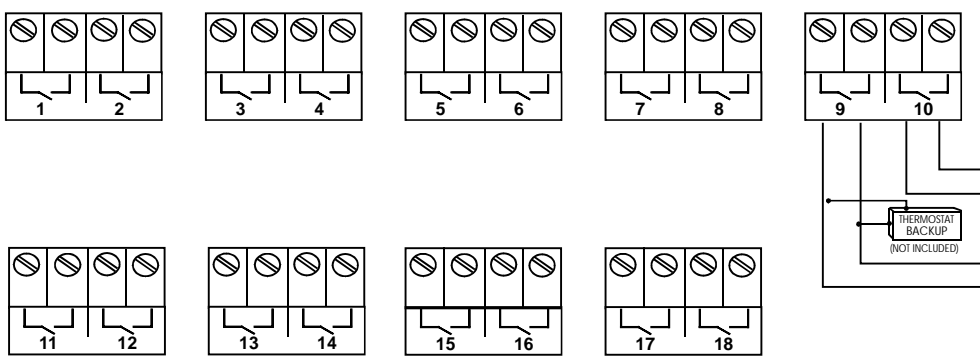
POTENTIOMETER'S COLOR LEGEND

	COMMANDER ACTUATOR	VON WEISE ACTUATOR
1	WHITE	RED
2	RED	BLACK
3	BLACK	WHITE



RELAYS 1-18
Dry contact, 15A resistive
Max Motor Load 120 VAC (1HP), 240VAC (2HP)

Tungsten (Light Bulb):
8.3A max at 120VAC



DO NOT DRILL THE SIDES OF THE UNIT CONTROL. USE AVAILABLE KNOCK OUTS AT THE BOTTOM OF THE UNIT.

FANS AND HEATERS ARE SHOWN ONLY AS AN EXAMPLE.

ALL LOAD SUPPLIES ARE: 120-240 VAC, 50-60 HZ, 12-24 VDC

WARNING
THE BACKUP THERMOSTAS SHOWN ARE FOR ILLUSTRATION PURPOSES ONLY. SUFFICIENT BACKUP THERMOSTATS MUST BE USED TO ENSURE VENTILATION IF THE RELAY PANEL LOSES POWER

