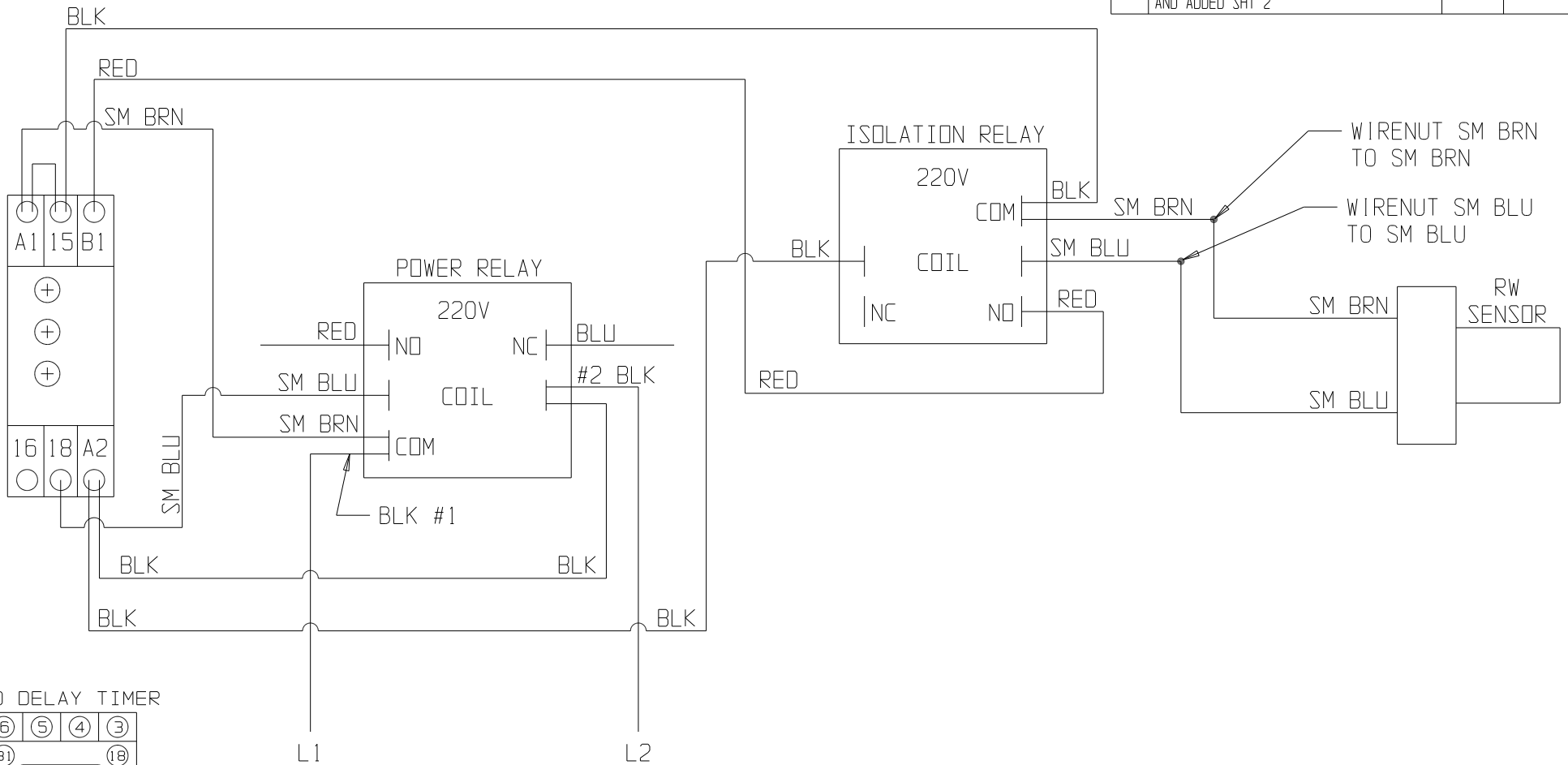
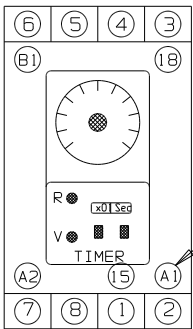


220VAC INTERNAL WIRING

REV	DESCRIPTION OF CHANGE	ECD #	DATE	CHANGE BY
NR	NEW RELEASE		7-20-00	
A	ADDED OLD TIMER RELAY FOR REFERENCE, AND ADDED SHT 2		11-9-01	



OLD DELAY TIMER



ASSOCIATED TERMINAL NUMBER ON NEW TIMER

		WHERE USED IN ALL 1070, 1071, & MAX RUN UNITS	
		CHK ENGR	MODEL NO. 220 VAC
102 MILL STREET WELLSVILLE, MN 56181 (507) 728-8214 FAX: (507) 728-8215		TITLE TIMER INTERNAL KIT	
		TOLERANCES 2PLC ±0.031 3PLC ±0.015	
THIS DRAWING IS THE SOLE PROPERTY OF EASY AUTOMATION AND IT SHALL NOT BE COPIED WITHOUT THE PERMISSION OF EAT.		SIZE B OR CRC	DATE 7-20-00
MTRL. SPEC -		RAW MTRL -	DWG NO EZ902334 REV A
		SCALE -- WT -- LB	SHEET 1 OF 2