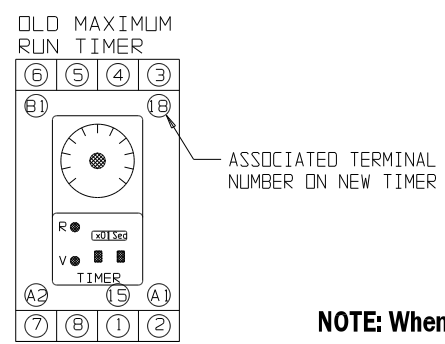
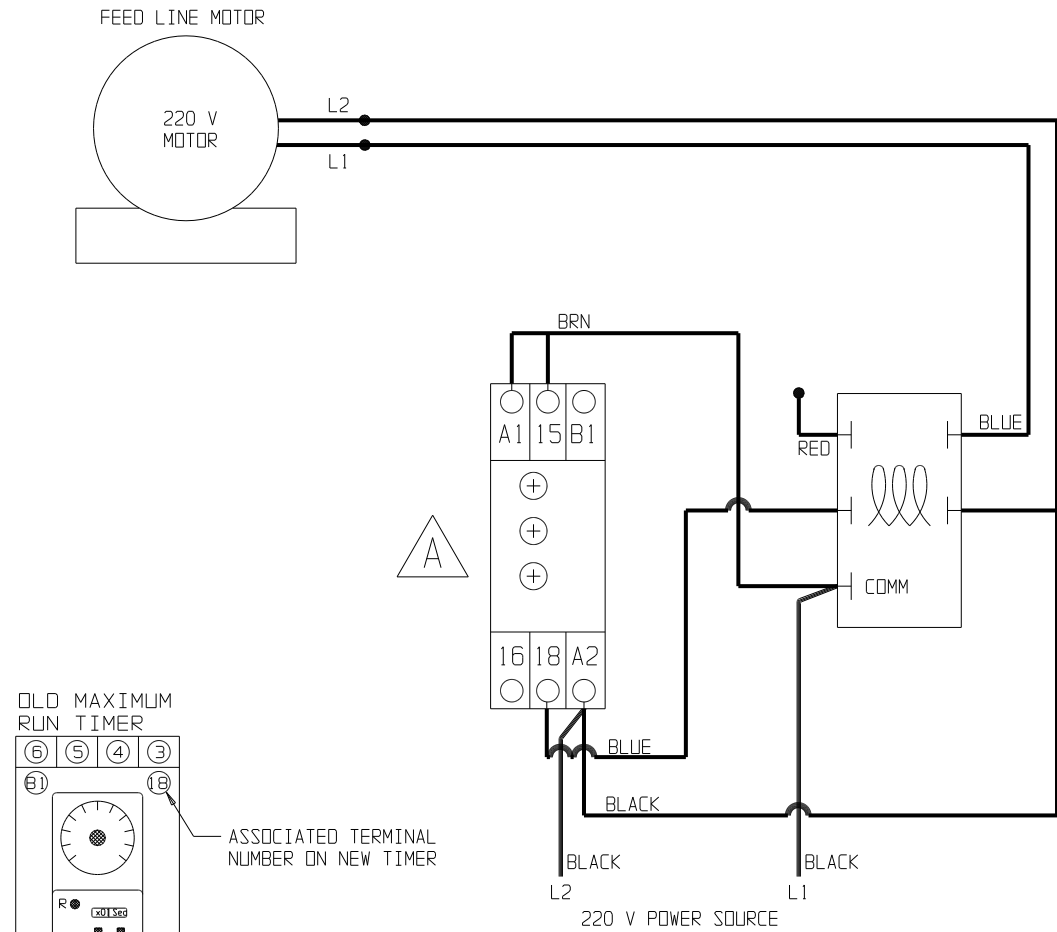


REV	DESCRIPTION OF CHANGE	ECO #	DATE	CHANGE BY
NR	NEW RELEASE		8-8-97	CLL
A	UPDATED TIMER RELAY		11-21-01	CRC
B	UPDATED WIRE COLORS, ADDED SHT 1		7-8-02	CRC

## MAXIMUM RUN TIMER 220 VAC



**NOTE: When connecting the Max Run Timer with the time delay EZ Switch, the max run timer is connected after the EZ Switch to ensure proper operation.**

 102 MILL STREET WELCH, MN 56181 (507) 728-8214 FAX: (507) 728-8215 THIS DRAWING IS THE SOLE PROPERTY OF EASY AUTOMATION AND IT SHALL NOT BE COPIED WITHOUT THE PERMISSION OF EAI.	CHK	ENGR	WHERE USED	QTY
	TOLERANCES	TITLE		
	2PLC ±0.031	INSTALLATION LAYOUT		
	3PLC ±0.015	MAX-RUN TIMER		
SIZE	OR	DATE	DWG NO	REV
A	CLL	8-8-97	EZ902330	B
MTRL		SCALE	WT	SHEET
-			---- LB	2 OF 2