



Big Dutchman[®]

project description	CONTR. UNIT DRYRAPID CONTOLER
	RELEASE AUTOMATIC
CODE NO.	91-08-3005
customer	
order number	
drawing number	21-00020-00
drawn	CWILKE
date	18.05.06
Total number of pages	8

Grounding, connecting to ground or protective circuit is to be carefully executed at side according to the valid instructions for electric systems in according with the regulations of the responsible EVU !

The connections for the ground conductor are to be arranged accessible and individually separable.

In case of works at the electrical systems the safety regulations are to be observed.

The nominal current of the rotary current motors are to be tested at side and adjusted at the protective motor switch resp. the excess current-release.

Before the initial operation, the threaded terminals ends and clamped connections are to be examined as regards a perfect contact according the VDE regulations !

The information on this drawing shall not be copied nor passed on without our written consent.

	date	name	Big Dutchman Pig Equipment Auf der Lage 2 49377 Vechta Tel. +49 (0)4447/801-0 Fax. .../801-237 www.bigdutchman.de	project description CONTR. UNIT DRYRAPID CONTOLER	Chapter A
drawn	18.05.06	CWILKE			drawing number 21-00020-00
chkd.					

General Instruction

TECHNISCHE DATEN

YEAR OF PRODUKTION _____

POWER SUPPLY _____

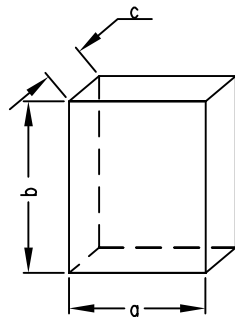
CONTROL VOLTAGE _____ VAC _____ VDC

TOTAL NOMINAL PERFORMANCE _____ approx. _____ KW

MAX. MAIN SUPPLY FUSE _____ A

PANEL DIMENSIONS

TYP _____



a = _____ mm

b = _____ mm

c = _____ mm

LIST OF CONTENTS

GENERAL CHAPTER A

CIRCUIT DIAGRAM CHAPTER B

MC99 CHAPTER C

PLC CHAPTER D

PARTSLIST CHAPTER E

TERMINAL PLAN CHAPTER F/G

BLOCK DIAGRAM CHAPTER H

The information on this drawing shall not be copied nor passed on without our written consent.

	date	name
drawn	18.05.06	CWILKE
chkd.		



Big Dutchman®

project description
CONTR. UNIT DRYRAPID CONTOLER

Chapter A

drawing number
21-00020-00

sheet: 2 of: 4

General Instruction

WIRING-COLORS

MAIN-CIRCUITS

L1 / L2 / L3 BLACK

N BLUE

PE GREEN/YELLOW

CONTROL-CIRCUITS

ALARM-CONTACTS WHITE

SENSORS WHITE

RELEASE-CONTACTS

INTERNAL GREY

POTENTIAL FREE ORANGE

WIRING-COLORS

CONTROL-CIRCUITS

AC : PHASE 230V RED

NEUTRAL 230V RED / WHITE

PHASE 24V RED OR RED / YELLOW

NEUTRAL 24V RED / WHITE OR RED / BLACK

DC : + 24 V BLUE / RED

GND 24V BLUE / BLACK

+ 15 V BROWN

GND 15V VIOLET

The information on this drawing shall not be copied nor passed on without our written consent.

	date	name
drawn	18.05.06	CWILKE
chkd.		



Big Dutchman®

project description
CONTR. UNIT DRYRAPID CONTOLER

drawing number
21-00020-00

Chapter A

sheet: 3 of: 4

The information on this drawing shall not be copied nor passed on without our written consent.

1

2

3

4

5

6

7

8

Test record

Examination according to VDE 011 T. 600

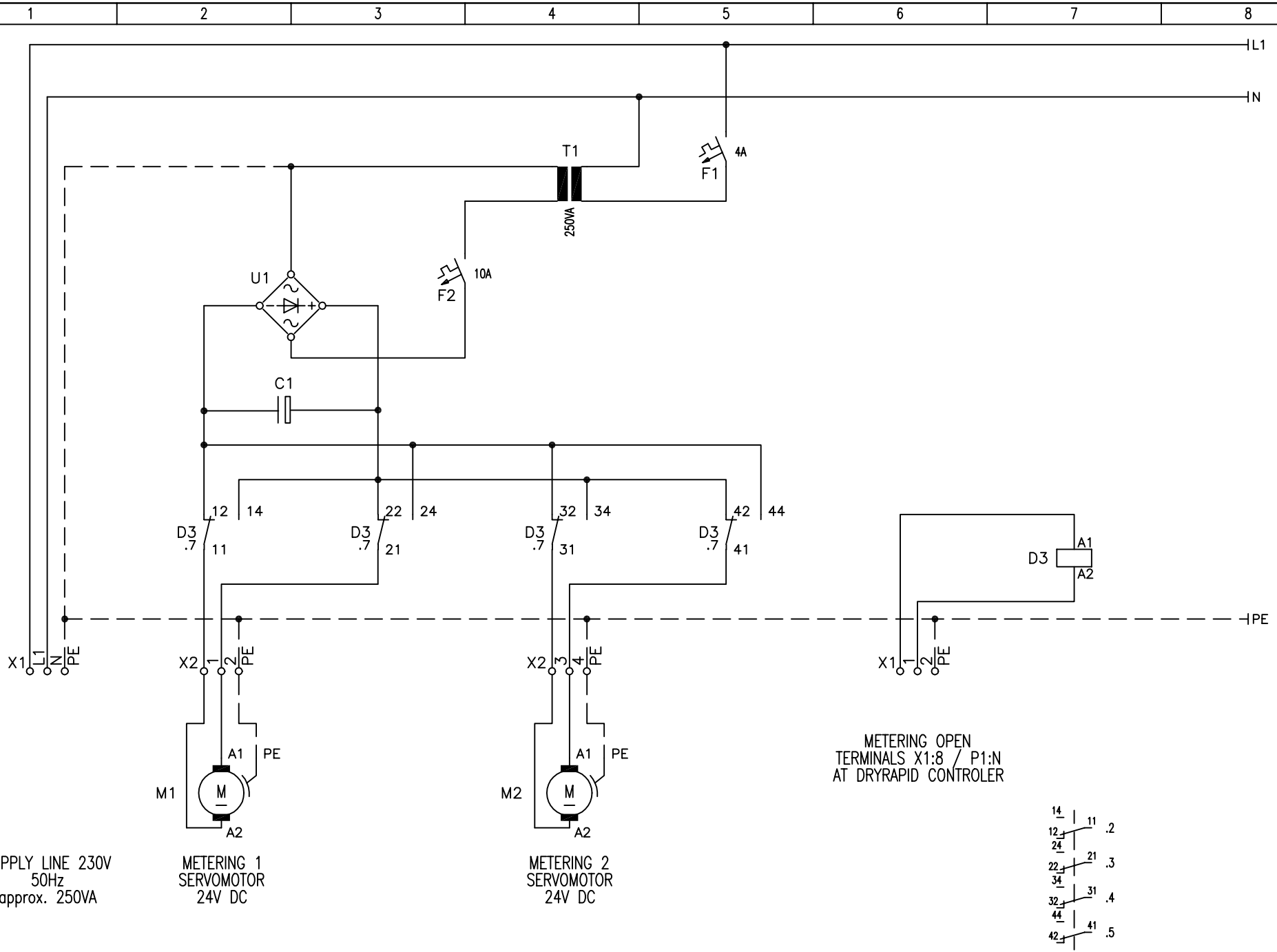
o.k.	<i>Checking and general examination</i>	o.k.	<i>Test safety control</i>
<input type="checkbox"/>	Visual inspection	<input type="checkbox"/>	Examination of the measurements for the protection against dangerous ground current (FI) (according VDE 0100 part 410)
<input type="checkbox"/>	Type of control box or housing as well as colours	<input type="checkbox"/>	Examination of the measurements for the protection in case of direct contact Arrangement of actuating elements (according to VDE 0106, part 100/VBG4)
<input type="checkbox"/>	appliance inscription / marking / name tags (fixing)	<input type="checkbox"/>	Examination of the measurements for protection in case of indirekct contact Testing protective conductor tracks and their connections, particulary at conductive structural parts, control elements, etc.
<input type="checkbox"/>	appliance equipment according to drawing / parts list / list		
<input type="checkbox"/>	conductor colours main circuits		
<input type="checkbox"/>	conductor colours control circuits		
<input type="checkbox"/>	PE- und N- type conductor, conductor colour, guide (do not loop PE)		
<input type="checkbox"/>	Mechanical test		
<input type="checkbox"/>	locking / locking device /lock	o.k.	<i>Final inspection</i>
<input type="checkbox"/>	Screw connection / Appliance installation (spot check)	<input type="checkbox"/>	system cleaned
<input type="checkbox"/>	Arrangement of the Wiring / Fastening (not over edges)	<input type="checkbox"/>	circuit diagrams, operating instructions enclosed
<input type="checkbox"/>	Electrical connections / Appliances and busbar system (spot check)	<input type="checkbox"/>	type plate Big Dutchman
<input type="checkbox"/>	Electrical performance check with nominal voltage	<input type="checkbox"/>	information sign high-voltage protector
<input type="checkbox"/>	Circuit / Control / Locking		
<input type="checkbox"/>	residual current operation device (if required with fault current)		
		Fitter : _____ Examiner : _____	
		date _____ date _____	
o.k.	<i>Insulation test</i>	stamp of the manufacturer	
<input type="checkbox"/>	Proof of the insulation resistance (insulation measuring appliance with min. 500V) Examination of the insulation resistance (>1000 Ohm/V per electric circuit)		
<input type="checkbox"/>	Phase against Cage/Ground		
<input type="checkbox"/>	Phase against Phase (L1-L2, L1-L3, L2-L3)		
<input type="checkbox"/>	stand-by circuits to housing / ground		
<input type="checkbox"/>	N to PE (only in case of 5-conductor system)		

The carrying out of the routine check test at the manufacurer does not release the erector from the duty to check the switching appliance combination after the transport and the erection e.g. as regards transport damages, loosening of screws and that sotr of thing.

(VDE 0660 part 500 § 8.1.2.)

	date	name		project description CONTR. UNIT DRYRAPID CONTOLER	Chapter A
drawn	18.05.06	CWILKE			
chkd.					drawing number 21-00020-00

The information on this drawing shall not be copied nor passed on without our written consent.

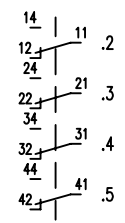


SUPPLY LINE 230V
50Hz
approx. 250VA

METERING 1
SERVOMOTOR
24V DC

METERING 2
SERVOMOTOR
24V DC

METERING OPEN
TERMINALS X1:8 / P1:N
AT DRYRAPID CONTROLLER



	date	name
drawn	18.05.06	CWILKE
chkd.		



project description CONTR. UNIT DRYRAPID CONTOLER	drawing number 21-00020-00
--	-------------------------------

Chapter B
sheet: 1 of: 1

