

## Power contactor unit installation guide

The 240-volt power contactor unit (129-0) increases the load handling capability of your control's relays. The 129-0 is ideal for secondary ventilation fans and electric heaters.

The 129-0 includes two power contactor relays, on-off-auto switches, and snubber filters, mounted in a large enclosure. The enclosure has room for two additional contactor relays or kits.

The three-position switch operates as follows.

- ◆ **Manual** The load is on.
- ◆ **Off** The load is off.
- ◆ **Auto** The control operates the load.

### Accessories

Phason offers the following related accessories. For more information, see your dealer or visit [www.phason.ca](http://www.phason.ca).

- ◆ **240 V power contactor** (PC-240) – includes power contactor relay and mounting hardware for easy mounting in an enclosure.
- ◆ **240 V power contactor kit** (122-1) – includes power contactor relay, on-off-auto switch and label, snubber filter, and mounting hardware for easy mounting in an enclosure.
- ◆ **Snubber filter** (127-0) – an easy-to-install filter that extends the life of relay contacts by absorbing electrical noise.

### Electrical ratings

- ◆ **Coil:** 10.2 mA at 240 VAC
- ◆ **Contact:** 25 A at 240 VAC; resistive  
2 HP at 240 VAC, 1 HP at 120 VAC; motor, power factor 0.4  
1300 W at 120 VAC; tungsten

## Installing the power contactor



Power contactors must be installed by a qualified electrician.

Install power contactors and all equipment connected to them according to local electrical codes.

Before installing or servicing equipment, switch OFF the incoming power at the source.



Mount the enclosure on a sheltered, vertical surface, away from sources of heat, and with the electrical knockouts facing down.

Use a screwdriver to tighten the screws in the enclosure. Do not use a drill or over tighten the screws; this can crack the enclosure and ruin the watertight seal.

Use the electrical knockouts for bringing wires or cables into or out of the enclosure. Use watertight strain reliefs or conduit connectors at all cable-entry points.

Do not make additional holes in the enclosure; this can damage the watertight seal or control components and void the warranty.

Failure to follow the mounting guidelines will void the warranty.



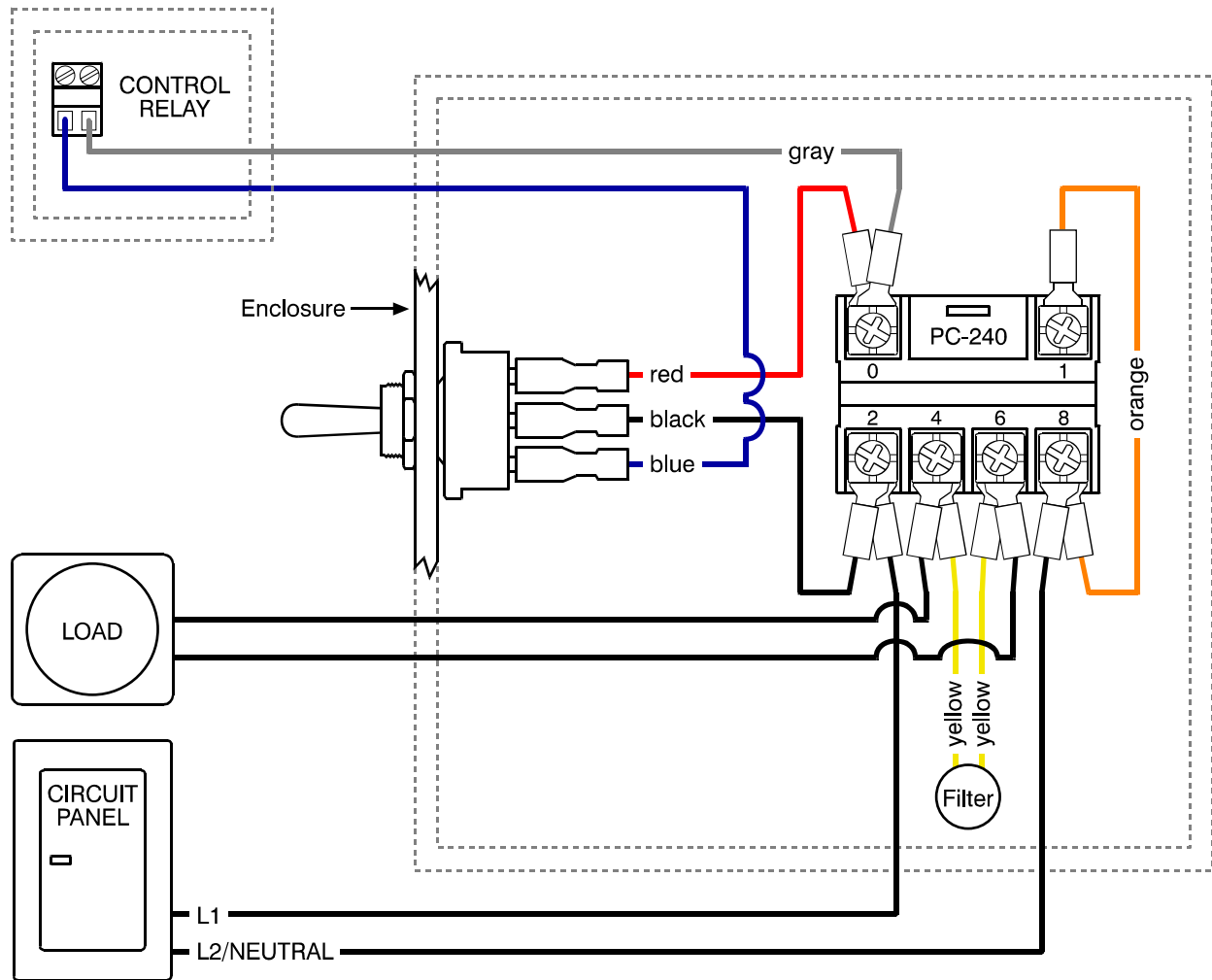
When wiring the power contactor, use fork or spade connectors at all terminals. Do not remove the existing connectors from any of the terminals.

### Mounting the power contactor enclosure

1. Select a location for the unit.
2. Remove the screws from the front cover and then gently lift it off.
3. Fasten the enclosure to a wall using the four screws provided with the unit. Insert the screws into the large holes in each corner of the box and then tighten.

### Wiring the power contactors

- ◆ Connect the power contactors as shown below.
- ◆ Use fork or spade connectors at all terminals.
- ◆ Do not remove the existing connectors from any of the terminals.



### Finishing the installation

1. Make sure all wires are properly connected to the correct terminals.
2. Switch on the power to the unit and then test the operation of the switches and loads.
3. Fasten the cover to the unit using the four screws.

Phason Inc.  
2 Terracon Place  
Winnipeg, Manitoba, Canada  
R2J 4G7

Phone: 204-233-1400  
Fax: 204-233-3252

E-mail: [support@phason.ca](mailto:support@phason.ca)  
Web site: [www.phason.ca](http://www.phason.ca)