

# AIR INLET TYPE HV

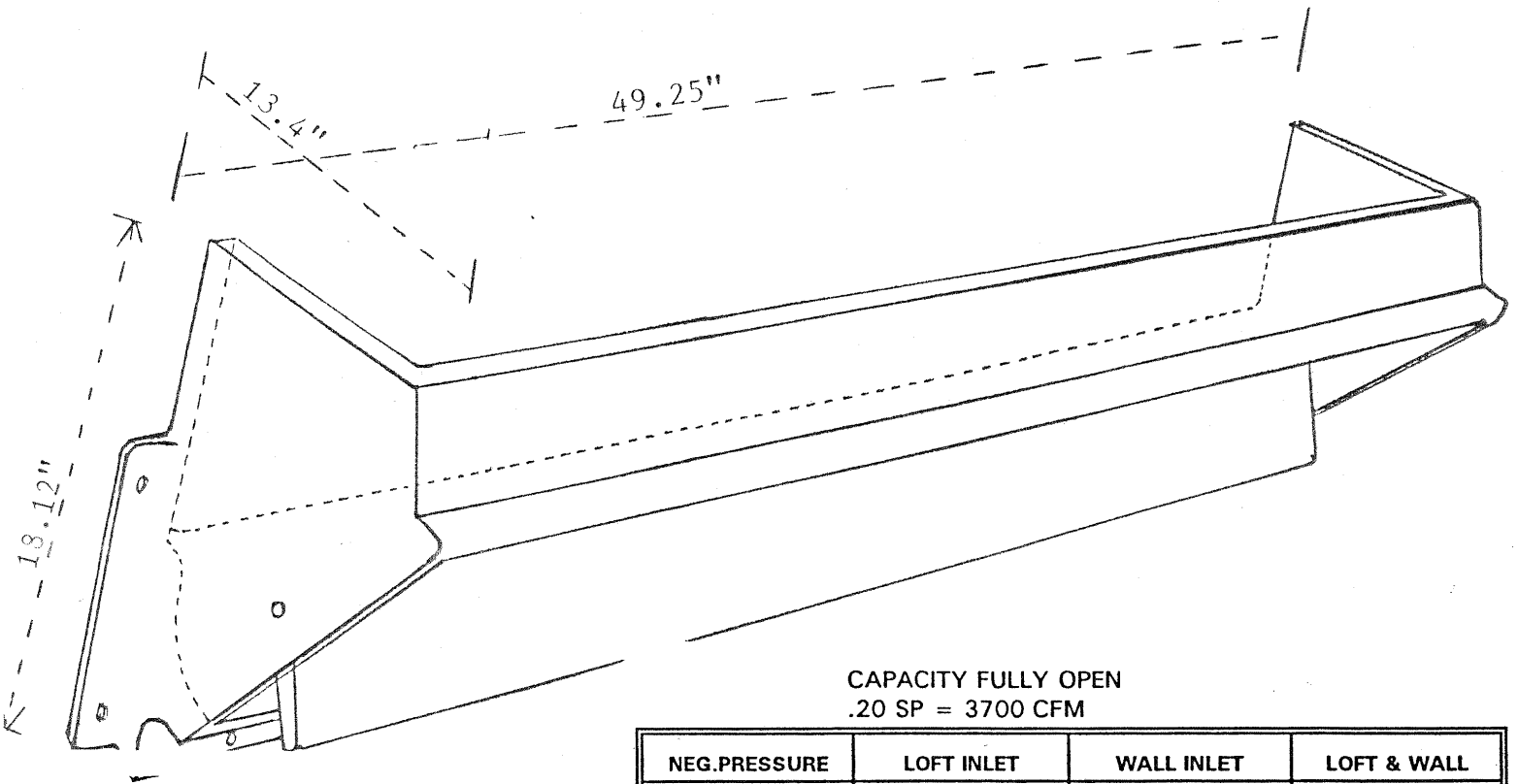
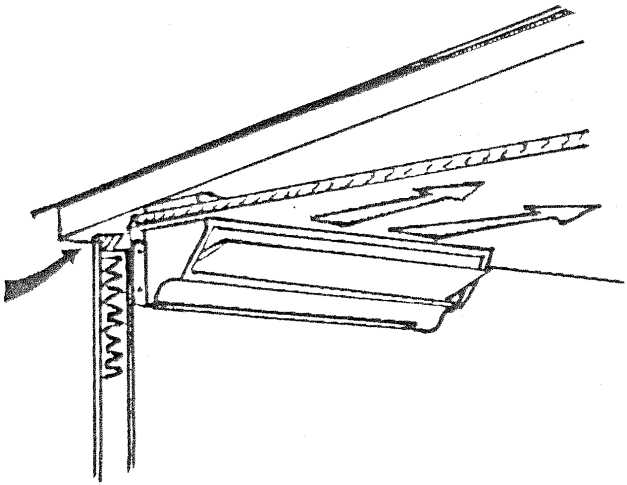
## TECHNICAL DATA SHEET

TV is designed to provide high capacity air inlets which are infinitely adjustable for both summer and winter.

Under normal conditions the incoming air is directed as a high speed jet along the ceiling. The inlet are automatically adjusted according to the ventilation rate. This maintains a high incoming air speed with no draft problems. During summer if the in-house temperature exceed the set level by a preset amount. The inlet automatically directed the fresh air downwards on to the live stock for improved animal comfort.

All components are made of molded poly urethan to prevent condensation and corrosion.

TV is suitable for flat or inclined ceiling and offers the choice of taking the fresh air through the wall, from the loft or both. The capacity depends on the installation (see data below)



CAPACITY FULLY OPEN  
.20 SP = 3700 CFM

NEG.PRESSURE	LOFT INLET	WALL INLET	LOFT & WALL
.02 SP	1136 CFM	883 CFM	1242 CFM
.04 SP	1530 CFM	1189 CFM	1772 CFM
.08 SP	2189 CFM	1616 CFM	2531 CFM
.15 SP	3190 CFM	2395 CFM	3643 CFM

DATA FROM SIF, DENMARK



TOTAL  
VENTILATION  
SYSTEMS

145 Jackson Avenue • Cokato, MN 55321  
Toll Free 800-328-3813 • In MN 612-286-2103