

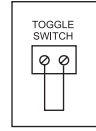
Mounting Instructions: Leave a clearance of at least 12" (300mm) to the left of the controller box to allow the cover to be removed for maintenance.

Cable Entry: Punch holes at the bottom of the enclosure to allow wires to be introduced in the controller. Do not drill the top or side panels of the enclosure.

Installation Notes:

! *If your feed distribution system uses a common bin auger, connect the auger to the main APCD controller and not to the slave unit.*

1. Toggle Switch: If the toggle switch is not required, connect up both toggle switch terminals together

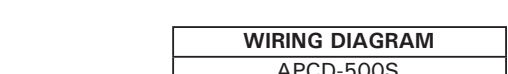
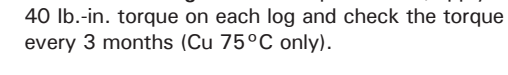
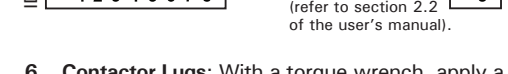


2. Proximity Sensor: Set the delay of the proximity sensor to 0 second (no external load resistor required).

3. External Contactors: It is mandatory to use an external contactor for the auger motor. Use CSA certified and sealed contactors only !

4. Surge Protection: Provide a surge protection from the control to the sensors (consult a certified electrician if required).

5. ID Numbers: Assign a different identification number to each slave unit, starting with ID #1 and do not skip any ID number between two consecutive slave units. Note that feeders are being filled in numerical order.



CAUTION: Do not lift switch #8 (refer to section 2.2 of the user's manual).

6. Contactor Lugs: With a torque wrench, apply a 40 lb.-in. torque on each lug and check the torque every 3 months (Cu 75°C only).

WIRING DIAGRAM	
APCD-500S	
891-00420	Rev.08

Chain Disk Control Current Sensor Settings

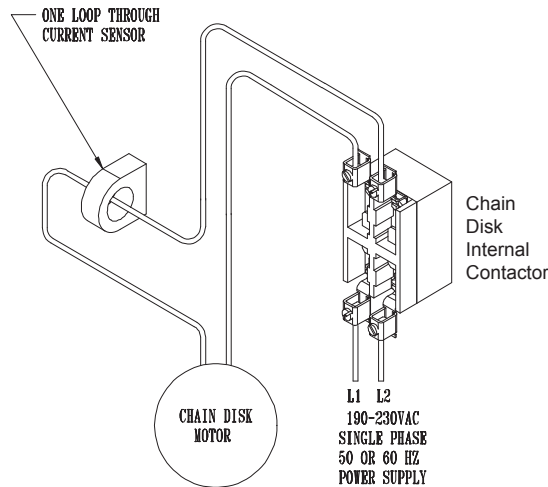
Chain Disk Motor	Voltage	Recommended Number of Loops Through Current Sensor	Recommended Window Size	Suggested Maximum Current Sensor Setting for New Blue Gearbox*	Suggested Maximum Current Sensor Setting for Old Grey Gearbox**
Single Phase, 60 Hz	208-230	1	1.0	6.0	9.0
Single Phase, 50 Hz	190-230	1	1.0	6.0	9.0
Three Phase, 60 Hz	208-230	2	1.5	8.0	9.0
	460	3	1.0	6.0	7.0
Three Phase, 50 Hz	190	2	1.5	9.0	10.0
	230	2	1.5	8.0	10.0
	380	3	1.0	7.0	9.0

Critical Amp setting should be 2 amps over Maximum Current Sensor Setting.

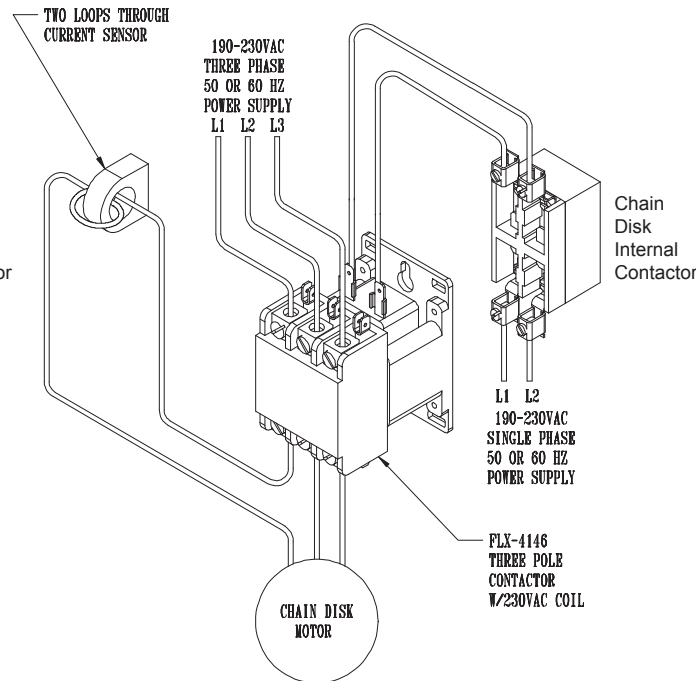
* New Blue Gearbox can be used with 1.5 hp or 2 hp motor.

** Old Grey Gearbox can only be used with 2 hp motor.

SINGLE PHASE



THREE PHASE LOW VOLTAGE



THREE PHASE HIGH VOLTAGE

