



NOTE: To prevent drive block from running into potentiometer box, set top locking collar 2" below potentiometer bracket.

NOTE: 1" Gear has a maximum travel of 30".
2" Gear has a maximum travel of 60".

NOTE: Isolate potentiometer wires from high voltage wires. When crossing over other power cables, cross at 90°.

Installation Instructions

1. Remove existing nut, bolt, and lock washer from the guide rail. (See Figure 1.)
2. Run the baffle or curtain to the fully closed position. While looking directly at the potentiometer gear, turn the potentiometer clockwise (right) until it stops and then rotate counterclockwise 1/4 to 1/2 a turn.
3. Carefully attach the potentiometer bracket to the bolt. With minimal rotation of the gear, make sure that the gear is riding in the threads of the drive screw. (See Figure 2.) The gear must be positioned so that it has sufficient travel when the curtains or baffles are moving.
4. Drill a 11/16" hole 3" below the potentiometer box (see Figure 2) and install a watertight cord connector. Start threading the wire clamping nut onto the connector. Run the potentiometer wires through the cord connector. Tighten the wire clamping nut locking the wires in place.
5. Wire to the control unit and calibrate per instructions that come with the potentiometer and the controller.

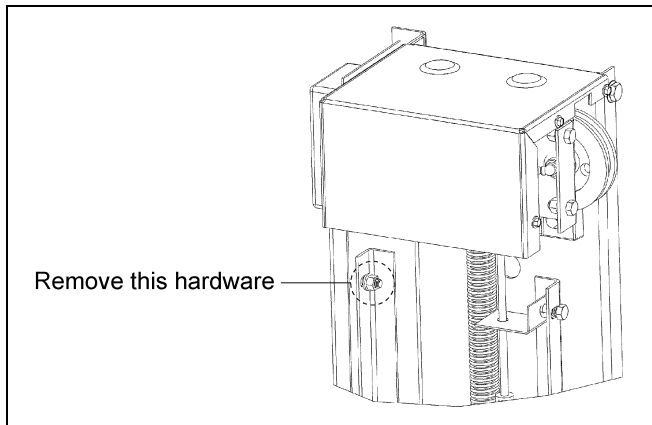


Figure 1

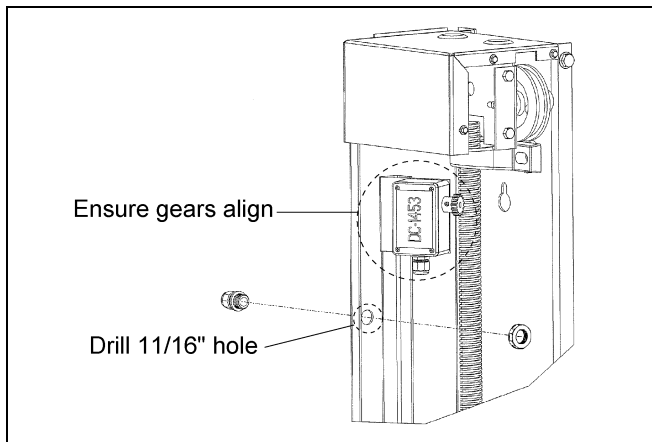


Figure 2

