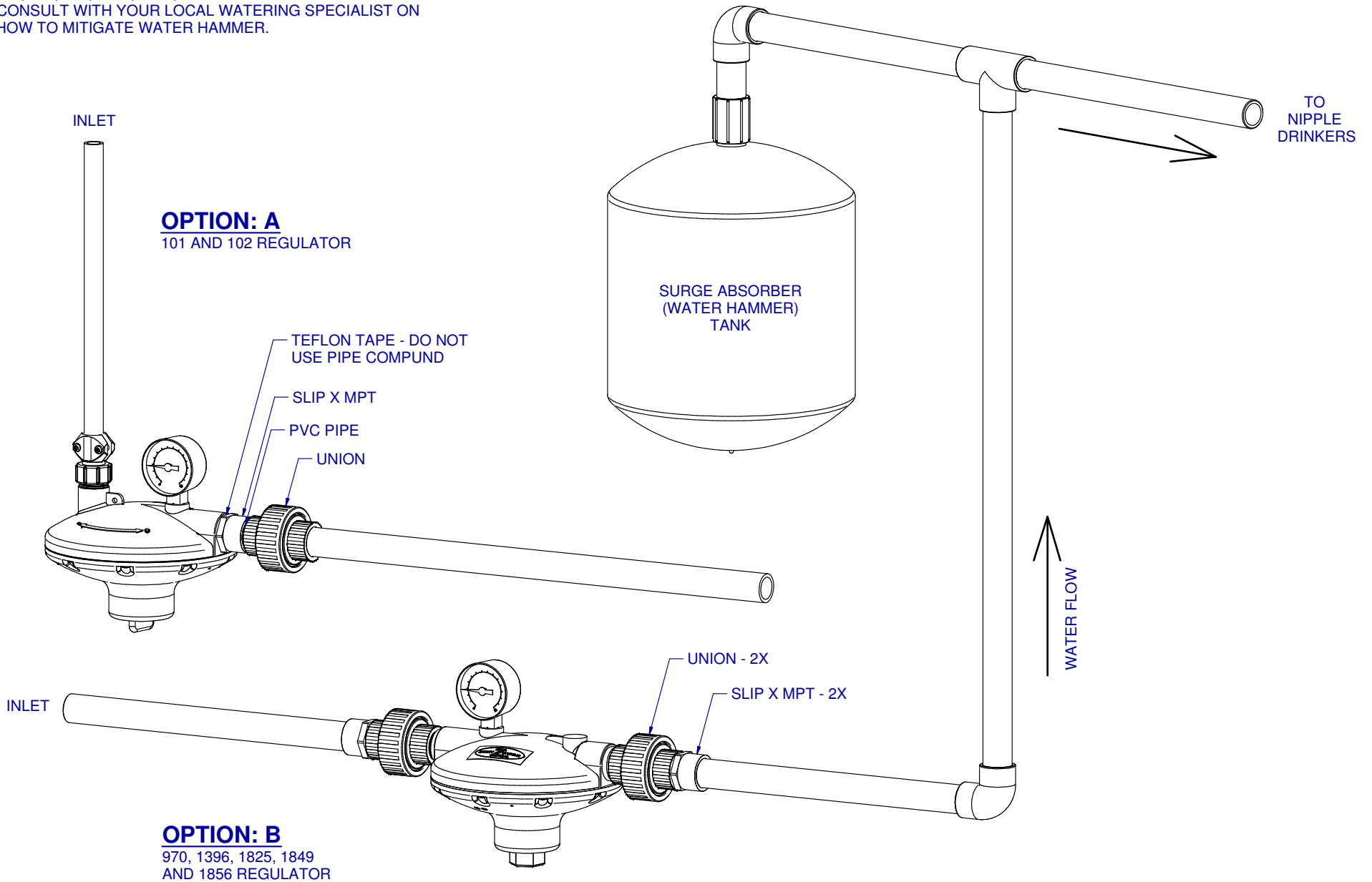


NOTES:

- 1.) SURGE ABSORBER TANK RECOMMENDED IN HOG OPERATION  
101, 102, 970, 1396, 1825, 1849 AND 1856 REGULATORS
- 2.) CONSULT WITH YOUR LOCAL WATERING SPECIALIST ON  
HOW TO MITIGATE WATER HAMMER.



RECOMMENDED REGULATOR SETUP: HOG OPERATIONS WITH NIPPLE DRINKERS

PART NR.:

GL1046

DATE: 01-14-05

REVISION: