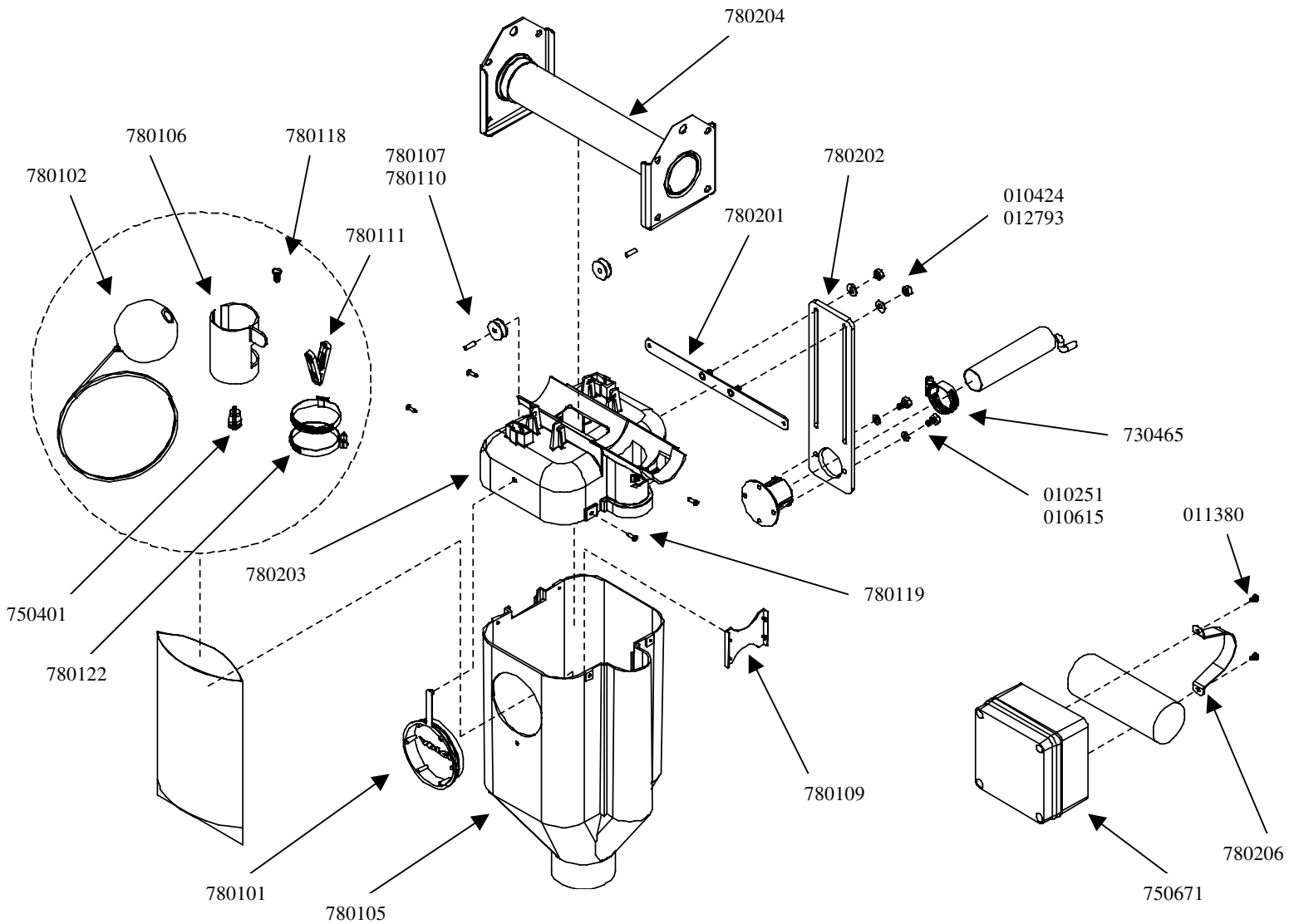


VAL-CO  
 210 E. Main St. P.O. Box 117  
 Coldwater, OH 45828 USA



Phone 419-678-8731  
 Toll Free 800-998-2526  
 Fax 419-678-2200

# 780200 VOLUMETRIC CONTROL DROP



ITEM	QTY	DESCRIPTION
010251	2	1/4" Lock Washer
010424	2	1/4" Flat Washer
010615	2	1/4 x 1/2 Hex Bolt
011380	2	#8-32 x 3/8" Screw
012793	2	1/4" Nylock Nut
730465	1	Sensor Assembly
750401	1	Zuma Nut & Bolt
750671	1	Control Box
780101	1	Access Cap
780102	1	Valve Ball
780105	1	Drop Body
780106	1	Shut Off

ITEM	QTY	DESCRIPTION
780107	2	Pulley
780109	1	Hopper Baffle
780110	2	Pulley Pin
780111	1	Clip
780118	1	Clip Retainer
780119	4	#8 x 5/8 SS Screw
780122	2	SS Tube Clamp
780201	1	Slide Mount
780202	1	Adapter Slide
780203	1	Control Top
780204	1	Control Drop Port Tube Assy
780206	1	Electric Box Strap

VAL-CO  
210 E. Main St. P.O. Box 117  
Coldwater, OH 45828 USA



Phone 419-678-8731  
Toll Free 800-998-2526  
Fax 419-678-2200

To assemble the 730465 Sensor Assembly, use (2) 010251, and the (2) 010615 included with this unit to mount the 730275 Sensor Adapter to the 780202 Adapter Slide. Just thread the 010615 ¼ hex bolts into the 730265 Sensor Adapter.

Use the 780206 Electric Box Strap to mount the 750671 Control Box to the auger tube.

When installing the control drop, do not install the 780106 Shut Off. That could prevent the feed from entering the drop causing carry over.

