

POWERTRAK

AUXILIARY SWITCH INSTALLATION

Purpose of Equipment:

To give a signal to turn on or off equipment when curtain height reaches the position you set.

Warning!

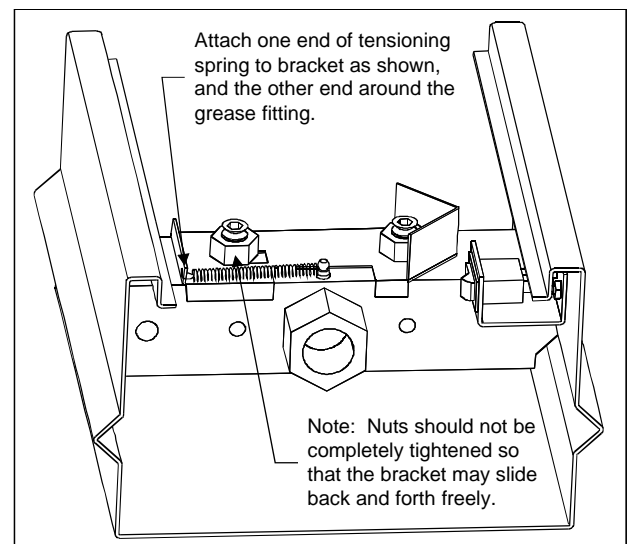
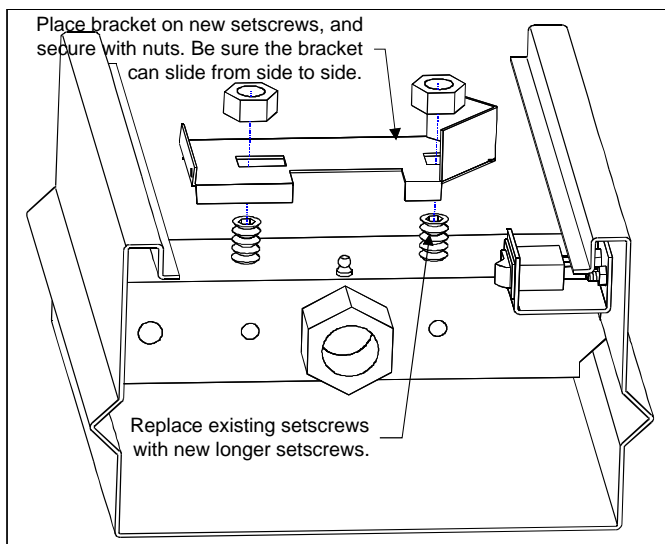
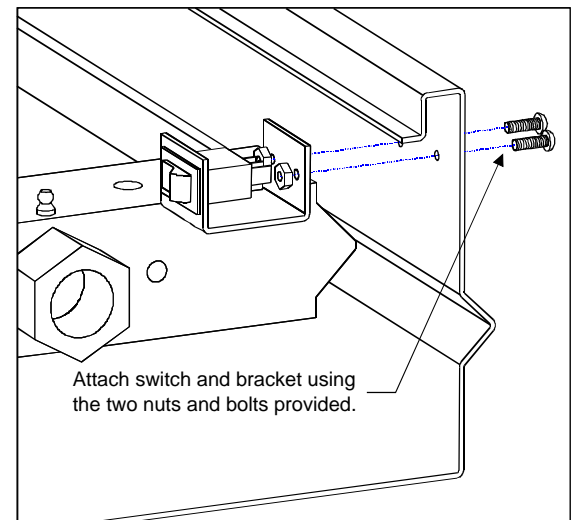
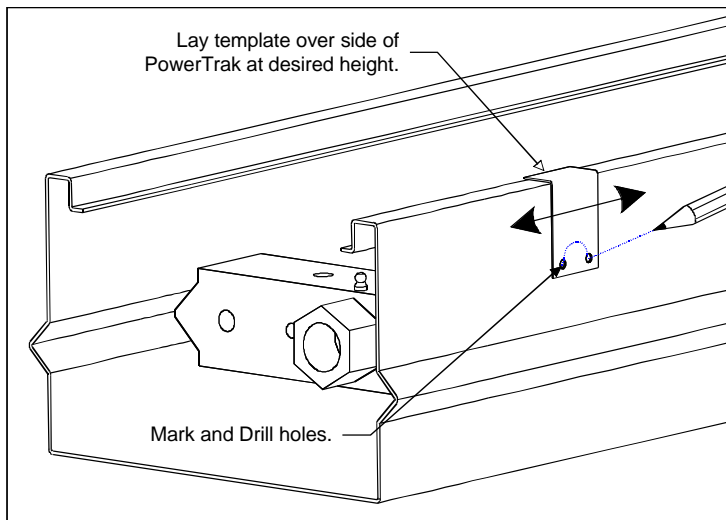
Disconnect all power sources to PowerTrak before attempting to install the Auxiliary Switch. Electric Shock may result.

Tools Required:

Drill with 3/16" bit
3/4" Wrench
1/4" Allen Wrench
Pliers

To Set Switch Position:

Manually raise or lower curtains to desired height. Place template over side even with center of load block (as shown below at left), then follow the instructions for installation. When installation is complete, manually raise and lower curtain past the switch slowly to be sure that the switch operates without binding.



* Note For Serial Numbers 20625 and higher (DOM 3/4/96), you must add two 1/2 inch washers to the setscrews between bracket and load nut.

POWERTRAK

AUXILIARY SWITCH INSTALLATION (Continued)

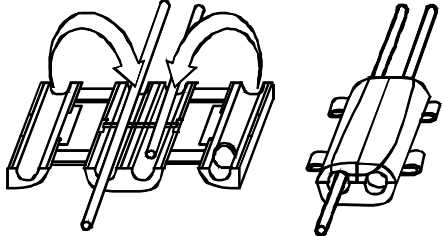
For 4, 5, or 6 foot PowerTrak machines only:

Replace the brace across the center front of the Machine. This brace is held in place by four bolts.

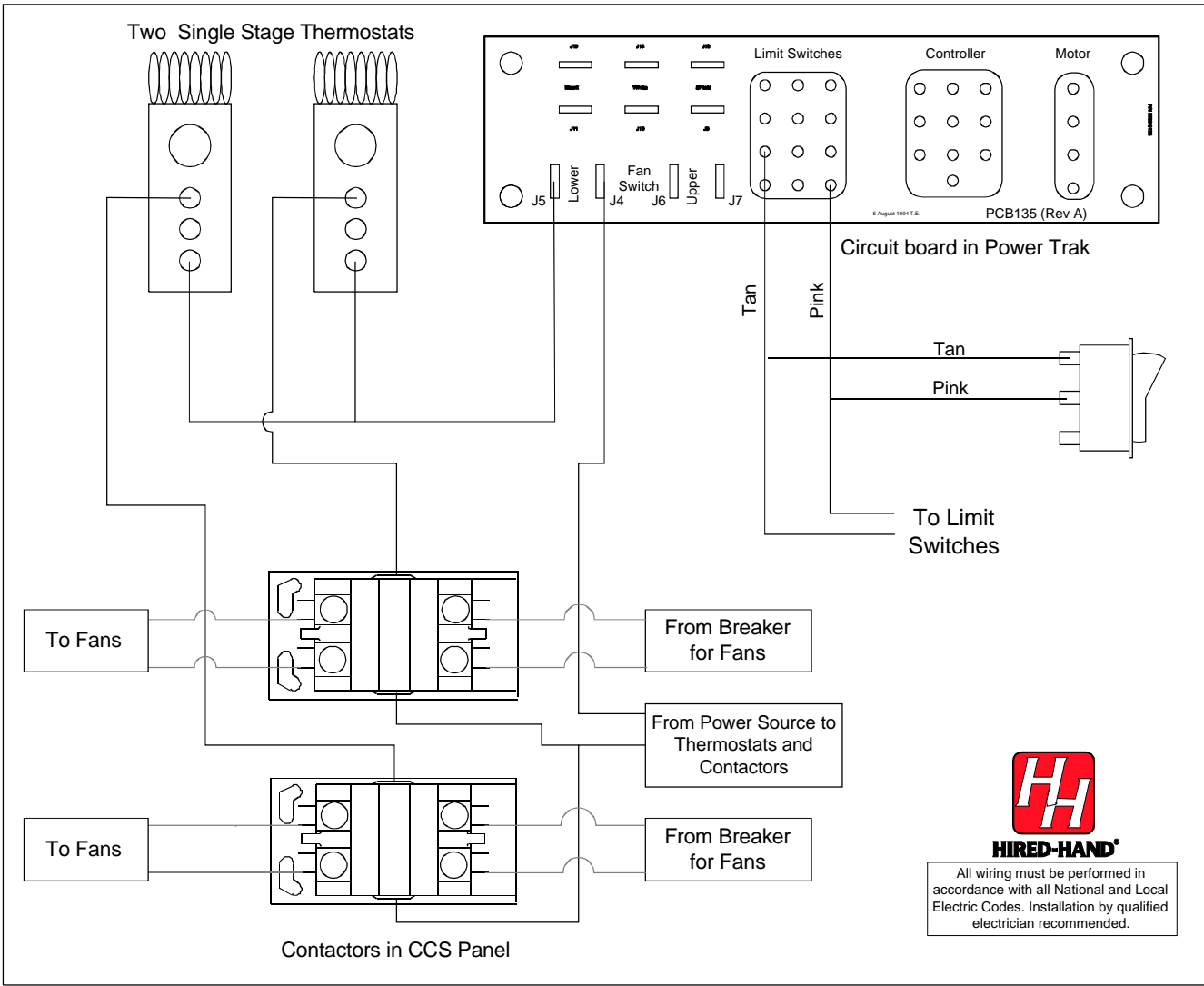
Use the original bolts to install the new brace.

Connect the wires from the switch to the wires from the limit switch harness at the bottom of the machine.

Use the connection as shown below, to splice the end of the new wire to any part of the existing wire. Match pink and tan wires color to color.



PowerTrak's manufactured before 4/7/97 Serial No's 28809 and lower.



POWERTRAK

AUXILIARY SWITCH INSTALLATION (Continued)

PowerTrak's manufactured after 4/7/97 Serial No's 28810 and later.

