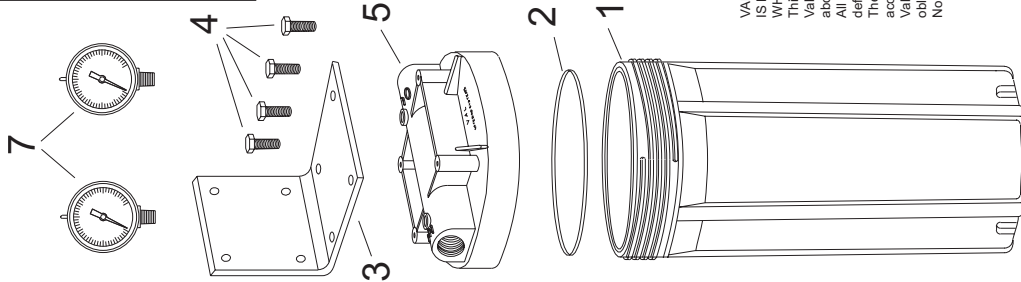


## PARTS LIST

Item	Part #	Quantity	Description
1	VF123	1	Filter bottom housing
2	VF126	1	Filter bottom O-ring
3	VF128	1	Filter bracket (Aluminum)
4	VRP05	8	Filter bracket screws
5	VF129	1	Filter top housing
6	VM121-30	1	Back-flush filter cartridge
7	VG100(L)	2	Oil-filled pressure gauges



## WARRANTY

VAL PRODUCTS, INC. DISCLAIMS ALL LIABILITY FOR CONSEQUENTIAL DAMAGES OF ANY KIND. THERE IS NO WARRANTY OF MERCHANTABILITY, EXPRESS OR IMPLIED, AND THERE ARE NO WARRANTIES WHICH EXTEND BEYOND THE DESCRIPTION OF THE FACE HEREOF.

This guarantee covers Val Filters only. Val Filters which prove defective in workmanship or material within 1 year of the date of purchase (as recorded above), will be replaced or repaired free of charge, excluding labor, FOB Lancaster, PA, USA. All defective filters must be returned to us for review, study, and determination as to the reason for being defective.

The guarantee or warranty does not cover malfunction or breakage caused by alteration, misuse, neglect, accident, or chemicals added or found in the water, or poor quality water, or failure to install and operate correctly. Val Products reserves the right to make changes, alter specifications or change models at any time without obligation or notice.

No representative of Val Products or any agent, distributor, representative or dealer, may make any warranty or

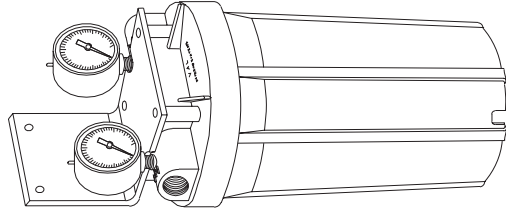
**WARNING**

1. Do not over tighten any screws or nuts.
2. Do not use pipe compound on threads.
3. Avoid oil-based materials contacting any plastic parts.

# INSTALLATION AND OPERATING INSTRUCTIONS



## MODEL VF122 BACK-FLUSH WATER FILTER KIT



Full house water filtration

- ◆ after the water meter
- ◆ after the pressure tank

## GENERAL PRECAUTIONS

Install on cold water lines only  
 Maximum pressure 100 PSI  
 Maximum temperature 100° F

**WARNING**

Protect filter from freezing which will result in cracking and leakage.



## WATERING SYSTEMS

PO Box 958  
 Lancaster, PA 17608  
 Phone: (717) 392-3978 Fax: (717) 392-8947

# FLUSHING THE FILTER CARTRIDGE

Cartridge should be back-flushed when you can read 10 PSI difference between the gauges (or 1 PSI for low pressure systems).

To back-flush the filter, locate the diagram on the facing page that most closely fits your setup.

To back-flush the setup from figures 1,2 or 3, close the incoming water supply valve and open the drain valve located at the bottom of the filter housing and flush for approximately 5 seconds and then close the drain valve and open the supply valve.

To back-flush the setup from figure 4, turn off the incoming water supply at the filter, open the ball valve for the bypass line and then open the drain valve located at the bottom of the filter and flush for approximately 5 seconds. Close drain, close ball valve for bypass and open the valve to let water into the filter.

Fig. 1, 2 & 3

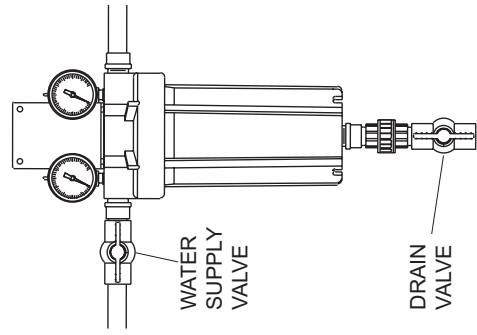
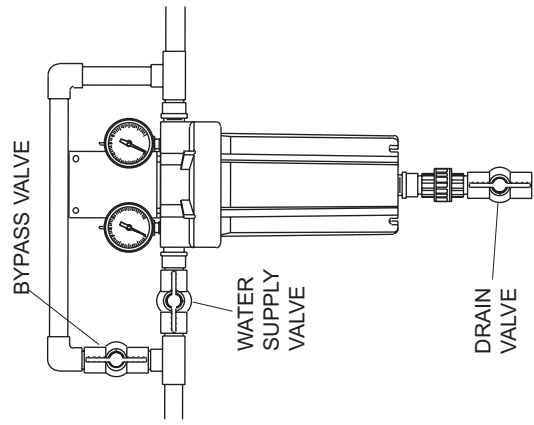


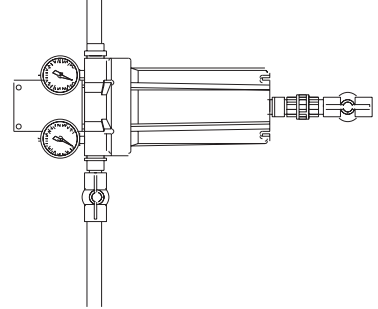
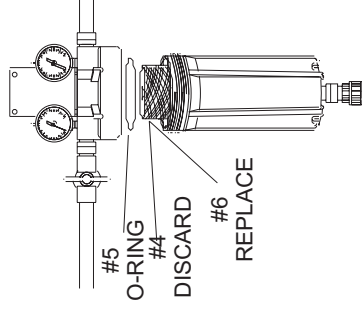
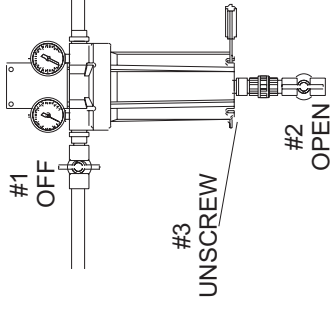
Fig. 4



# CARTRIDGE REPLACEMENT

Cartridge should be replaced after 3 years of use.

- 1 Turn off water coming into the filter.
- 2 Open drain valve to release pressure.
- 3 Using screwdriver or pry bar in slots on bottom of housing, unscrew bottom housing (clockwise) from cap.
- 4 Remove cartridge from bottom housing and discard.
- 5 Remove O-ring from bottom housing and clean, lubricate with silicone and replace in O-ring groove.
- 6 Insert the new cartridge and make sure it is properly seated.
- 7 Screw bottom housing onto cap and **HAND TIGHTEN ONLY.**
- 8 Turn on water supply and slowly with water.
- 9 Check for water leaks.



# INSTALLATION

Tools required:

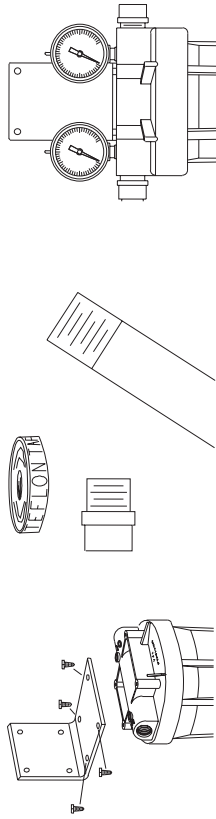
Galvanized or Copper Pipe	Plastic (PVC) Pipe
Pipe cutter	Pipe cutter
Pipe wrench	Pipe wrench
Pipe threader	PVC glue
Screwdriver	Screwdriver
Teflon tape	Teflon tape

Installation procedure:

Read all general precautions and instructions BEFORE beginning installation. Installation for either galvanized or plastic pipe shown below.

All adapters can be supplied by Val, or if you can get them on your own. Check your pipe size and don't forget adapter bushings as needed.

## 1" or 1-1/2" main water line installation.

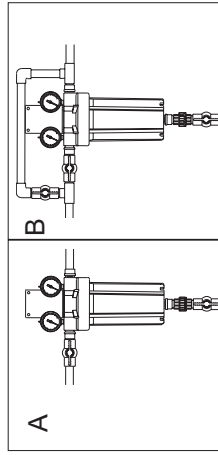


**STEP 1** Attach mounting bracket to cap.

**STEP 2** Apply teflon tape to the male pipe threads of each fitting.

**STEP 3** Assemble all fittings by hand tightly to ensure proper fit. Tighten with wrench no more than one turn to snug fit.

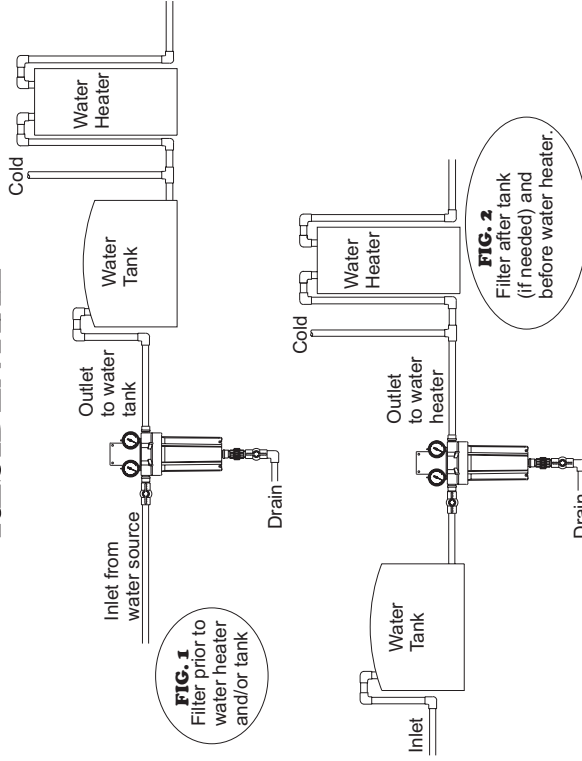
**DO NOT OVER TIGHTEN.**



**STEP 4** Cut pipe and -(metal) thread ends and wrap with teflon tape -(plastic) glue ends into place.

**STEP 5** Assemble all parts. Check for water leaks.  
Residential: A only  
Poultry: A or B

# RESIDENTIAL

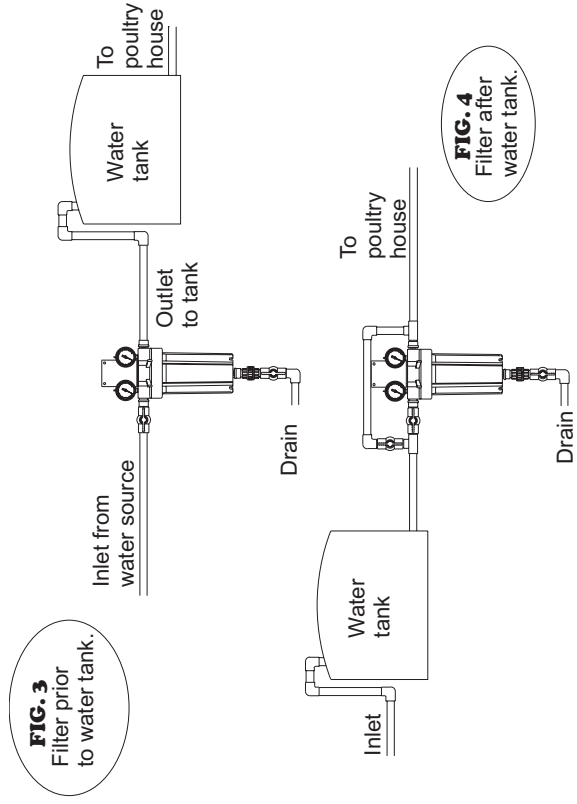


**FIG. 1**  
Filter prior to water heater and/or tank

**FIG. 2**  
Filter after tank (if needed) and before water heater.

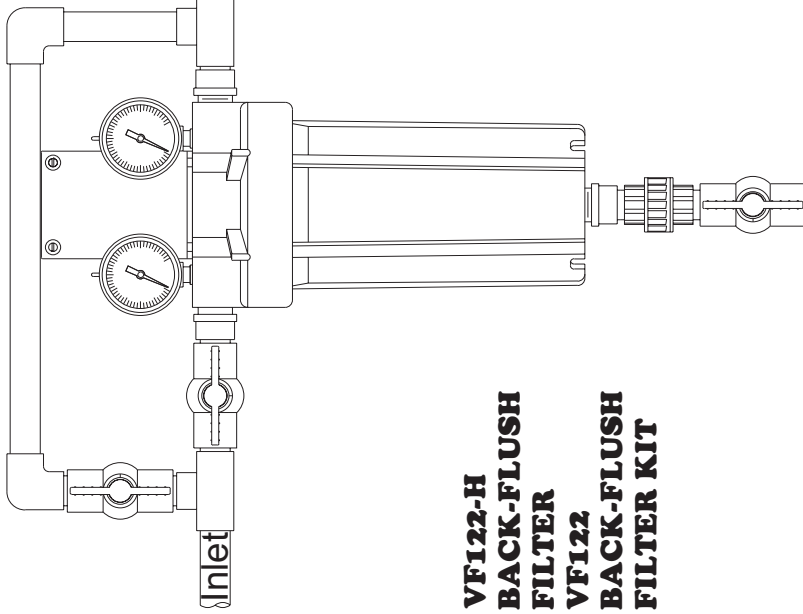
**CAUTION:** If using metal pipes for grounding electrical systems be sure to install a jumper wire across the filter.

# POULTRY



**FIG. 3**  
Filter prior to water tank.

**FIG. 4**  
Filter after water tank.



**VF122-H  
BACK-FLUSH  
FILTER  
VF122  
BACK-FLUSH  
FILTER KIT**

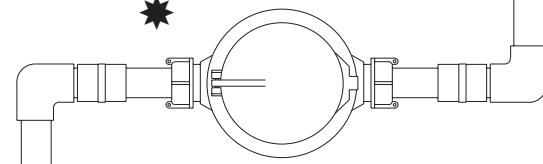
**VF122-H BACK-FLUSH FILTER**

- 1 VF123 FILTER BOTTOM HOUSING
- 1 VF126 FILTER BOTTOM O-RING
- 1 VF129 FILTER TOP HOUSING
- 1 VF128 FILTER BRACKET (ALUMINUM)
- 1 VM121-30 BACK-FLUSH FILTER CARTRIDGE

**VF122 BACK-FLUSH FILTER KIT**

- 1 VF122-H BACK-FLUSH FILTER
- 2 VG100 OIL-FILLED PRESSURE GAUGES
- 2 VT100 3/4" SXSXS TEES
- 4 VT102 3/4" SXS 90° ELLS
- 3 WV801 3/4" BALL VALVES
- 1 VX127 3/4" SXS UNION
- 2 VT141 1" PVC MALE ADAPTER, 1" THD X 3/4" S
- 1 VT131 3/4" MALE ADAPTER, S X THD
- 8 VF127 FILTER BRACKET SCREWS

**VM140  
WATER  
METER**



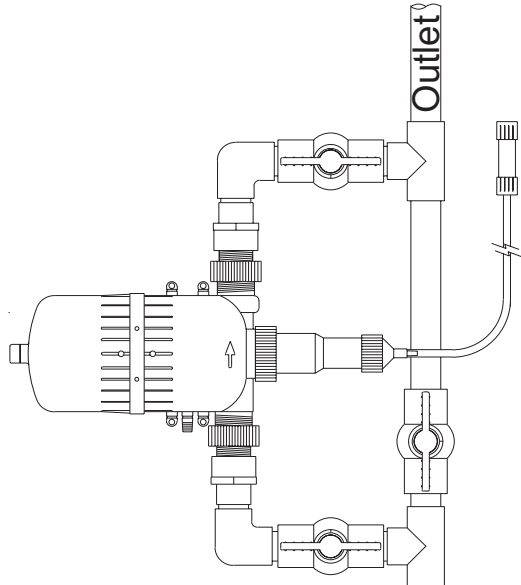
**VM140 WATER  
METER**

- 2 VM001 O-RINGS
- 2 VM002 PLAS. NUTS
- 2 VM003 EXTENSIONS
- 2 VT132 ADAPTERS

★

This is for diagram purposes only. To ensure accurate readings, the meter should be horizontal with the face up.

**VM500 MEDICATOR [DOSATRON]  
(4.3 - 100 PSI)  
VM715 MEDICATOR [DOSMATIC]  
(4.3 - 100 PSI)  
VM505 HOOKUP KIT (VM715)  
VM507 HOOKUP KIT (VM500)**



**VM500 DOSATRON (NEW STYLE)**

- 1 VM500 MEDICATOR
- 1 VM007 FLEX TUBE W/ STRAINER
- VM715 DOSMATIC (SCREW SHAFT)**
- 1 VM715 MEDICATOR
- 1 VM007 FLEX TUBE W/ STRAINER
- 1 VM008 EXTRA DOSAGE PISTON
- 1 VM009 EXTRA SEAL
- VM505 HOOKUP KIT (VM700)**
- 2 VT102 3/4" 90° ELLS SXS
- 3 WV801 3/4" BALL VALVES
- 2 VT100 3/4" TEES SXSXS
- 2 VT140 FEMALE ADAPTERS, 1 X 3/4" THD
- VM507 HOOKUP KIT (VM500)**
- 2 VT102 3/4" 90° ELLS SXS
- 3 WV801 3/4" BALL VALVES
- 2 VT100 3/4" TEES SXSXS
- 2 VT132 FEMALE ADAPTERS, 3/4" THD
- 2 VX127 3/4" SXS UNION